

Hydraulic Transmission Tester



Test the transmission with fluid under pressure, the Hydraulic Tester simulates operating conditions in the unit and finds problems instantly. The Hydraulic Tester finds hidden defects in soft parts or can alert you to hard parts that have grown out of tolerance. A simple hook up to a unit test plate and the reading of a single gauge allows you to test a transmission in or out of the vehicle

Part No. TOOL.139

Unit Test Plate for DP0/AL4

Part No. DPO.TOOL08

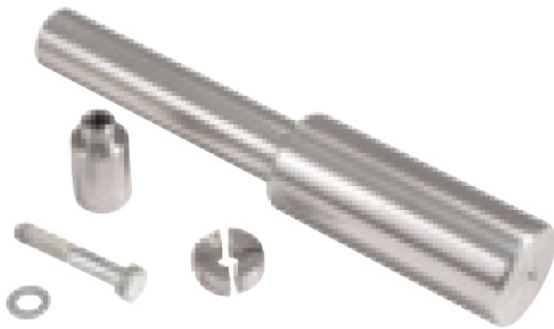
Stator Bush Removal Tool (Sonnax®)

Part Summary:

The pump stator bushings in Renault DPO and Citroen AL-4 transmissions are prone to wear from normal operation, and are difficult to remove without damaging the housing bore I.D. Sonnax offers an improved pump stator bushing kit **DPO.BUS06** and this removal tool to allow easy bushing removal without damaging the bore.

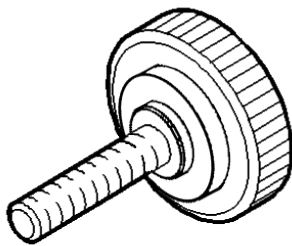
Features & Benefits:

- Bushings are made from steel-backed aluminum alloy for better wear resistance.
- Precision-fit bushings do not require machining.
- Tool allows removal of old bushings without scoring or damaging the housing bore I.D.
- Bushings also available separately.



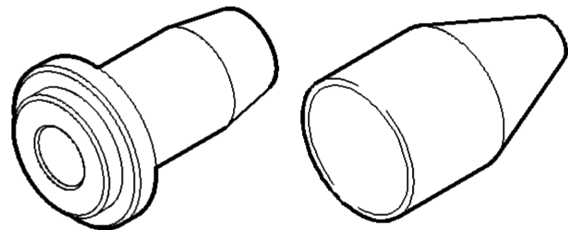
Part No. DPO.TOOL06

Detent Setting Tool for Valve Body Alignment



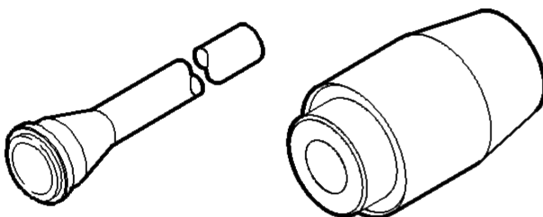
Part No. DPO.TOOL01

Right Hand Driveshaft Seal Installer



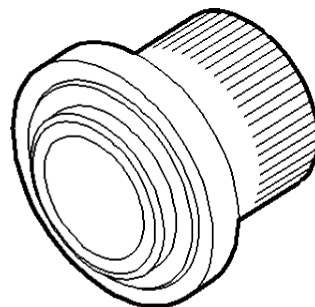
Part No. DPO.TOOL02

Left Hand Driveshaft Seal Installer



Part No. DPO.TOOL03

Converter Seal Installer



Part No. DPO.TOOL04

Transmission Filling Tool



It is becoming far less common for transmissions to be provided with filler tubes and dipsticks, most recent units have to be filled via a filler / level bung in the sump pan. Finding methods to force fluid into the transmission in this way can be messy and time consuming, this tool has been specifically designed to make the job easier and cleaner. The tool consists of a 10 litre fluid pump and a set of 10 adaptors, the pump and adaptors are also available separately, so if you need to extend the usefulness of the tool by adding extra pumps or adaptors this can easily be done.

Part No. TOOL.201

Accessories for Transmission Filling Tool



Adaptors:

Audi/VW	01M Etc.	Part No. TOOL.205
Audi/VW	DSG (02E)	Part No. TOOL.206
Audi/VW	01J (Multitronic)	Part No. TOOL.207
BMW	CVT	Part No. TOOL.208
Ford/Jaguar	5R55N/W	Part No. TOOL.209
Mercedes	722.9	Part No. TOOL.210
Opel/Vauxhall	4L30E	Part No. TOOL.211
Opel/Vauxhall/Volvo	AW 6 Speed	Part No. TOOL.212
Renault	DP0	Part No. TOOL.213
Renault	DP0-2	Part No. TOOL.214

Pumps:

Pump Assembly 5ltr	Part No. TOOL.202
Pump Assembly 10ltr	Part No. TOOL.203

Valve Body Parts Stripping Tray



Part No. TOOL.03

Universal End Clearance Gauge



Part No. TOOL.05

Universal Oil Seal Removal Tool

Use with slide hammer



Part No. TOOL.41

Adaptor Plate Centralising Tool

No illustration

Part No. DPO.TOOL05