

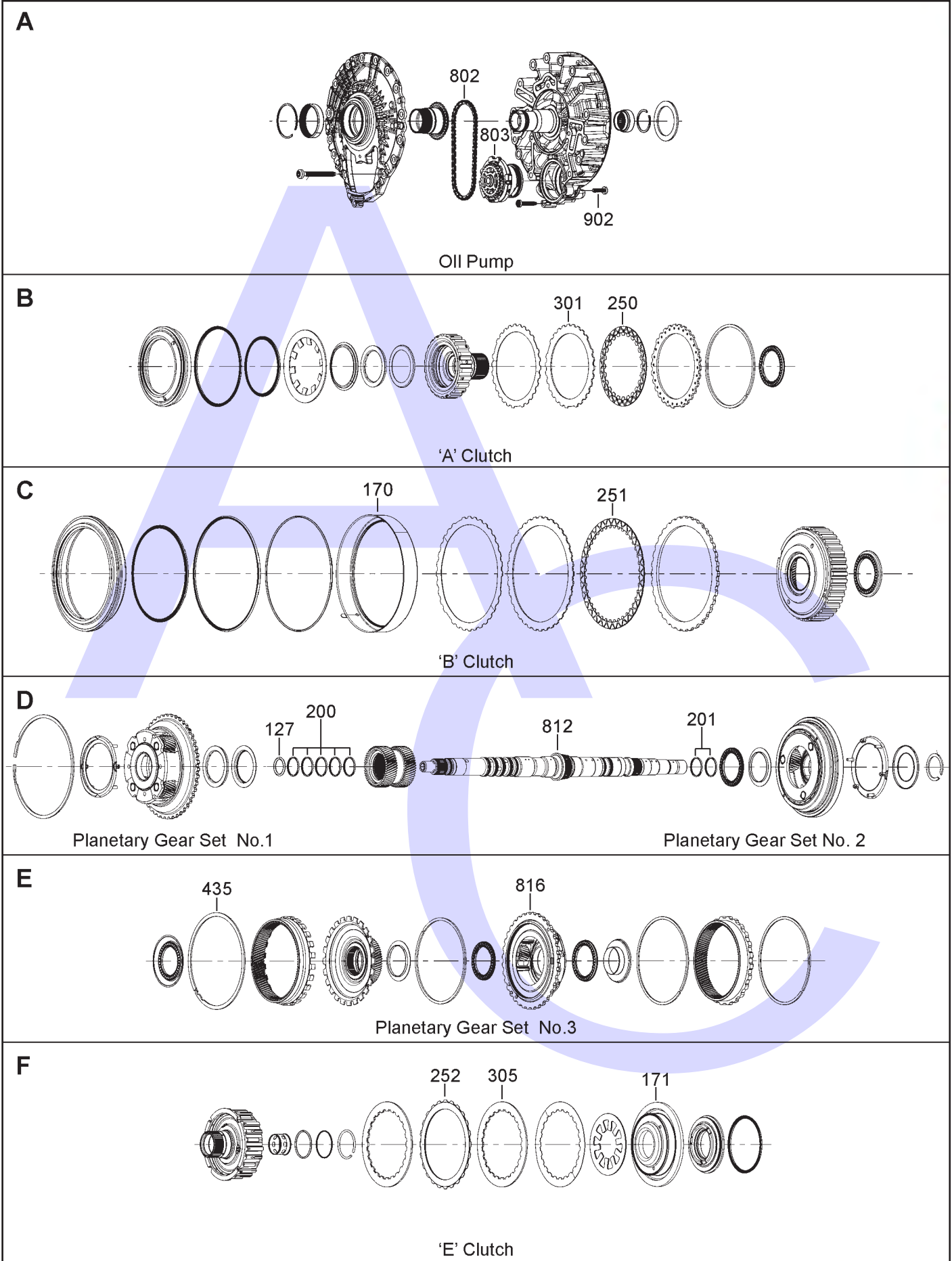
ZF 8HP55A 1087 030 xxx, ZF 8HP55AHIS 1087 034 xxx
 ZF 8HP55AH 1087 050 xxx
 8 SPEED AWD (Full Electronic Control)



AUTOMATIC CHOICE



THE AUTOMATIC TRANSMISSION PARTS WAREHOUSE



ZF 8HP55A 1087 030 xxx, ZF 8HP55AHIS 1087 034 xxx
ZF 8HP55AH 1087 050 xxx
8 SPEED AWD (Full Electronic Control)

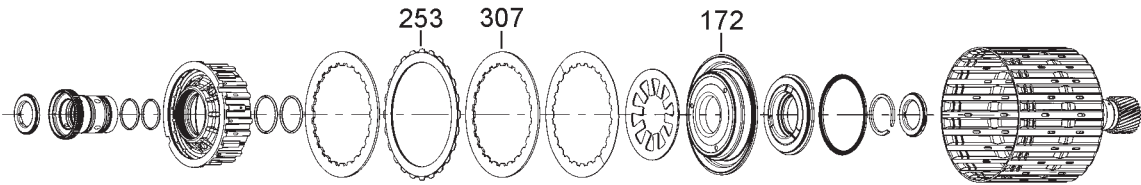


AUTOMATIC CHOICE



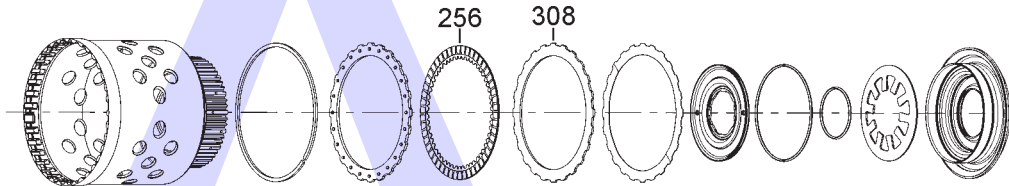
THE AUTOMATIC TRANSMISSION PARTS WAREHOUSE

G



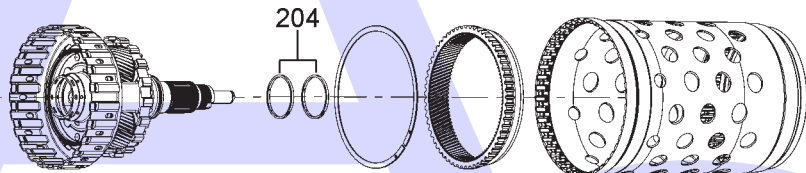
'C' Clutch

H



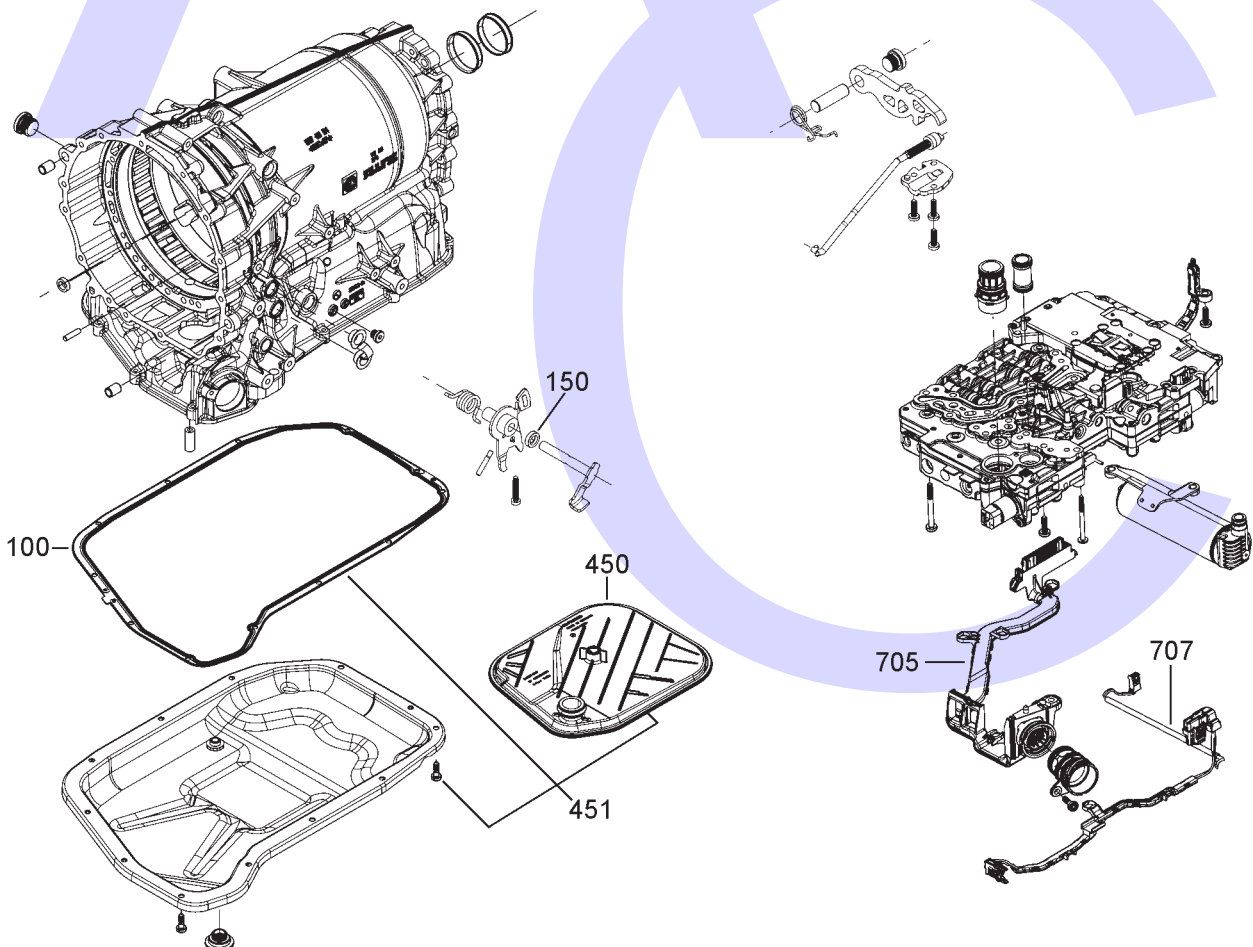
'D' Clutch

J



Planetary Gear Set No. 4

K



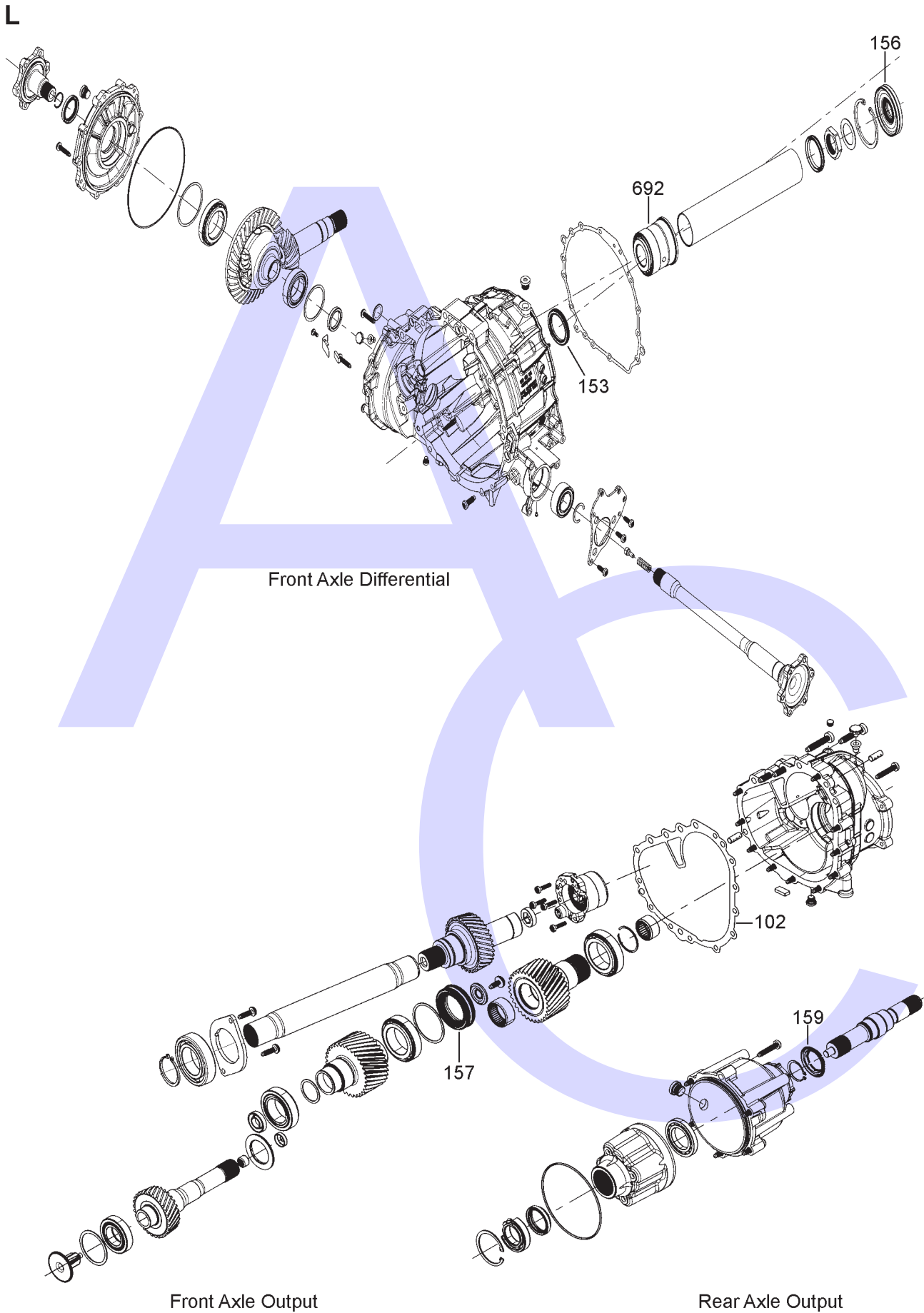
ZF 8HP55A 1087 030 xxx, ZF 8HP55AHIS 1087 034 xxx
ZF 8HP55AH 1087 050 xxx
8 SPEED AWD (Full Electronic Control)



AUTOMATIC CHOICE



THE AUTOMATIC TRANSMISSION PARTS WAREHOUSE



ZF 8HP55A 1087 030 xxx, ZF 8HP55AHIS 1087 034 xxx ZF 8HP55AH 1087 050 xxx 8 SPEED AWD (Full Electronic Control)



AUTOMATIC CHOICE

ILL NO.	DESCRIPTION	YEARS	QTY	PART NO
KITS				
Kit	Overhaul Kit 8HP55A (OEM)....	10-ON	1	8HP55A.OHK01
Kit	Overhaul Kit 8HP55A (AM).....	10-ON	1	8HP55A.OHK11
Kit	Overhaul Kit 8HP55AH (OEM) .	10-ON	1	8HP55A.OHK02
Kit	Overhaul Kit (Transtec®) Without Pistons (8HP55A).....	10-ON	1	8HP55A.OHK03
Kit	Overhaul Kit (Transtec®) With Pistons (8HP55A).....	10-ON	1	8HP55A.OHK04
Kit	Pump Bolt Kit (Transtec®)	11-ON	1	8HP45.NUT03
GASKETS				
100K	Pan Gasket, Bonded (OEM).....	10-ON	1	8HP55A.GAS02
100K	Pan Gasket, Bonded (Transtec®) .	10-ON	1	8HP55A.GAS01
102L	Intermediate Housing to Main Case	10-ON	1	8HP55A.GAS04
RUBBER COMPONENTS				
127D	'O' Ring, Input Shaft Lock Up....	10-ON	1	8HP45.OR02
METAL CLAD SEALS				
150K	Manual Shaft Seal (Transtec®). .	11-ON	1	8HP70.MCS04
153L	Converter Seal (Transtec®)	10-ON	1	8HP55A.MCS01
156L	Font Axle Diff, Pinion Shaft	10-ON	1	6HP28A.MCS01
157L	Front Axle Output, Input Gear ...	10-ON	1	8HP55A.MCS02
159L	Rear Output Flange.....	10-ON	1	6HP28A.MCS03
MOULDED PISTONS				
170C	Sleeve, 'B' Clutch (OEM)	10-ON	1	8HP55A.PIS01
170C	Sleeve, 'B' Clutch (Precision)....	10-ON	1	8HP55A.PIS51
171F	Piston, 'E' Clutch (OEM)	10-ON	1	8HP55A.PIS02
171F	Piston, 'E' Clutch (Precision).....	10-ON	1	8HP55A.PIS52
172G	Piston, 'C' Clutch (OEM)	10-ON	1	8HP55A.PIS03
172G	Piston, 'C' Clutch (Precision).....	10-ON	1	8HP55A.PIS53
SEALING RINGS				
Kit	Sealing Ring (Transtec®).....	11-ON	1	8HP45.SRK01
200D	Input Shaft Front (Transtec®) ...	11-ON	5	8HP45.SSR01
201D	Input Shaft Rear (Transtec®)....	11-ON	2	8HP45.SSR01
204J	Output Shaft to 'D' Clutch (Transtec®).....	11-ON	2	8HP45.SSR02
FRICITION PLATES				
Kit	Friction Plate (OEM)	10-ON	1	8HP55A.FRK01
250B	'A' Clutch (OEM)	10-ON	4	8HP70.FRP01
	(AM)	10-ON	4	8HP70.FRP11
251C	'B' Clutch (OEM)	10-ON	5	8HP70.FRP02
	(AM)	10-ON	5	8HP70.FRP12
252F	'E' Clutch (Outer Teeth, OEM)...	10-ON	5	8HP70.FRP03
	(AM)	10-ON	5	8HP70.FRP13
253G	'C' Clutch (Outer Teeth, OEM) ..	10-ON	6	8HP70.FRP03
	(AM)	10-ON	6	8HP70.FRP13
256H	'D' Clutch (OEM)	10-ON	4	8HP70.FRP04
	(AM)	10-ON	4	8HP70.FRP14
STEEL PLATES				
301B	'A' Clutch	10-ON	4	8HP70.STP01
305F	'E' Clutch (Inner Teeth).....	10-ON	5	8HP70.STP03
307G	'C' Clutch (Inner Teeth)	10-ON	6	8HP70.STP03
308H	'D' Clutch.....	10-ON	4	8HP70.STP04

ILL NO.	DESCRIPTION	YEARS	QTY	PART NO
PRESSURE PLATES				
SPRINGS & CIRCLIPS				
435E	Circlip, Planetary Gear Set #3 ..	10-ON	1	8HP70.CIR01
FILTERS				
450K	Filter, OEM (8HP55A/HIS).....	10-ON	1	8HP55A.FIL01
450K	Filter, AM (8HP55A/HIS).....	10-ON	1	8HP55A.FIL11
451K	Filter Kit, OEM (8HP55A/HIS) (With Pan Gasket & Bolts)	10-ON	1	8HP55A.FIL02
BUSHINGS				
Kit	Bushing Kit.....	10-ON	1	8HP45.BK01
THRUST WASHERS & BEARINGS				
692L	Bearing Assy, Pinion Shaft (8HP55A) (Codes: 1087 030 005, 013- 16, 018, 019, 021-024, 030, 031, 033, 036-041, 049, 054, 055)	10-ON	1	6HP28A.BE01
692L	Bearing Assy, Pinion Shaft (8HP55A) (Codes: 1087 030 057, 058, 059)	10-ON	1	8HP55A.BE01
692L	Bearing Assy, Pinion Shaft (8HP55A HIS) (Codes: 1087 034 001, 002, 014, 016-020, 026, 029, 044, 054, 059)	10-ON	1	6HP28A.BE01
692L	Bearing Assy, Pinion Shaft (8HP55A HIS) (Codes: 1087 034 045, 046, 047, 048, 049, 056, 057, 058, 062, 064, 065, 068, 069, 070, 071, 072, 075, 076, 077, 078, 082)	10-ON	1	8HP55A.BE01
692L	Bearing Assy, Pinion Shaft (8HP55AH)	10-ON	1	6HP28A.BE01
ELECTRICAL COMPONENTS				
705K	Loom, Case to Mechatronic.....	10-ON	1	8HP55A.ELE01
707K	Loom, Mechatronic to HIS	10-ON	1	8HP55A.ELE02
VALVE BODY PARTS				
NI	Bonded Rubber Intermediate Plate for Mechatronic Unit / Valve Body (A & B048 Bonded to Plate, Replaces 028) (AM)	10-ON	1	8HP45.SP01
NI	Bonded Rubber Intermediate Plate for Mechatronic Unit / Valve Body (A & B054 Bonded to Plate) (Sonnax® Click here for Info) ...	10-ON	1	8HP45.SP02
NI	Bonded Rubber Intermediate Plate for Mechatronic Unit / Valve Body (A & B071 Bonded to Plate) (Sonnax® Click here for Info) ...	10-ON	1	8HP55A.SP01
Kit	'O' Ringed End Plug Kit (Sonnax® Click here for Info) ...	10-ON	1	8HP45.VA10



THE AUTOMATIC TRANSMISSION PARTS WAREHOUSE

ZF 8HP55A 1087 030 xxx, ZF 8HP55AHIS 1087 034 xxx ZF 8HP55AH 1087 050 xxx 8 SPEED AWD (Full Electronic Control)



AUTOMATIC CHOICE



THE AUTOMATIC TRANSMISSION PARTS WAREHOUSE

ILL NO.	DESCRIPTION	YEARS	QTY	PART NO
VALVE BODY PARTS Cont...				
Kit	Oversized Torque Converter Clutch Valve Requires Toolkit 8HP45.VA02 & AG4.VA05 Universal Fixture (Sonnax® Click here for Info) ...	10-ON	1	8HP45.VA01
Kit	Toolkit for 8HP45.VA01 (Sonnax®).....	10-ON	1	8HP45.VA02
Kit	Oversized TC Pressure Valve Requires Toolkit 8HP45.VA04 & AG4.VA05 Universal Fixture (Sonnax® Click here for Info) ...	All	1	8HP45.VA03
Kit	Toolkit for 8HP45.VA03 (Sonnax®).....	All	1	8HP45.VA04
Kit	Oversized TC Switch Valve Requires Toolkit 8HP45.VA04 & AG4.VA05 Universal Fixture (Sonnax® Click here for Info) ...	All	1	8HP45.VA05
Kit	Toolkit for 8HP45.VA03 (Sonnax®).....	All	1	8HP45.VA04
Kit	Oversized B2 Clutch Regulator Valve Requires Toolkit 8HP45.VA08 & AG4.VA05 Universal Fixture (Sonnax® Click here for Info) ...	All	1	8HP45.VA07
Kit	Toolkit for 8HP45.VA07 (Sonnax®).....	All	1	8HP45.VA08
Kit	Pressure Regulator Sleeve (Sonnax® Click here for Info) ...	All	1	8HP45.VA09
Kit	Oversized Pressure Regulator Valve Requires Toolkit 8HP45.VA12 & AG4.VA05 Universal Fixture (Sonnax® Click here for Info) ...	All	1	8HP45.VA11
Kit	Toolkit for 8HP45.VA11 (Sonnax®).....	All	1	8HP45.VA12
Kit	Oversized Clutch Holding Valve Requires Toolkit 8HP45.VA14 & AG4.VA05 Universal Fixture (Sonnax® Click here for Info) ...	All	1-5	8HP45.VA13
Kit	Toolkit for 8HP45.VA13 (Sonnax®).....	All	1	8HP45.VA14
HARD PARTS				
802A	Drive Chain, Oil Pump	10-ON	1	8HP55A.CH01
803A	Oil Pump	10-ON	1	8HP45.PUM01
812D	Input Shaft.....	10-ON	1	8HP70.SH01
816E	Planetary Gear Set No. 3.....	10-ON	1	8HP70.PL03
SPECIAL ITEMS				
Kit	Pump Bolt Kit (Transtec®)	11-ON	1	8HP45.NUT03
902A	Bolt, Pump to Body (M6x24)	11-ON	6	6HP26.NUT05
NI	LifeGuardFluid8 Transmission Fluid (1 x 1 Ltr Bottle)	11-ON	AR	OIL.67
	(1 x 10 Ltr Canister)	11-ON	AR	OIL.77
	(1 x 20 Ltr Canister)	11-ON	AR	OIL.59
	(1 x 209 Ltr Barrel).....	11-ON	AR	OIL.65
	(1 x 1000 Ltr Container).....	All	AR	OIL.78
TOOLS & MANUALS				
NI	ATSG Technical Manual.....	11-ON		8HP45.MAN01
	Click here to view special tools for this transmission			

ILL NO.	DESCRIPTION	YEARS	QTY	PART NO
---------	-------------	-------	-----	---------