

ZF 4HP20 (LMO) (RENAULT,CITROEN,PEUGEOT,FIAT,ALFA,MERCEDES) 4 SPEED FWD (Electronic Control) Code: 1019 000 xxx

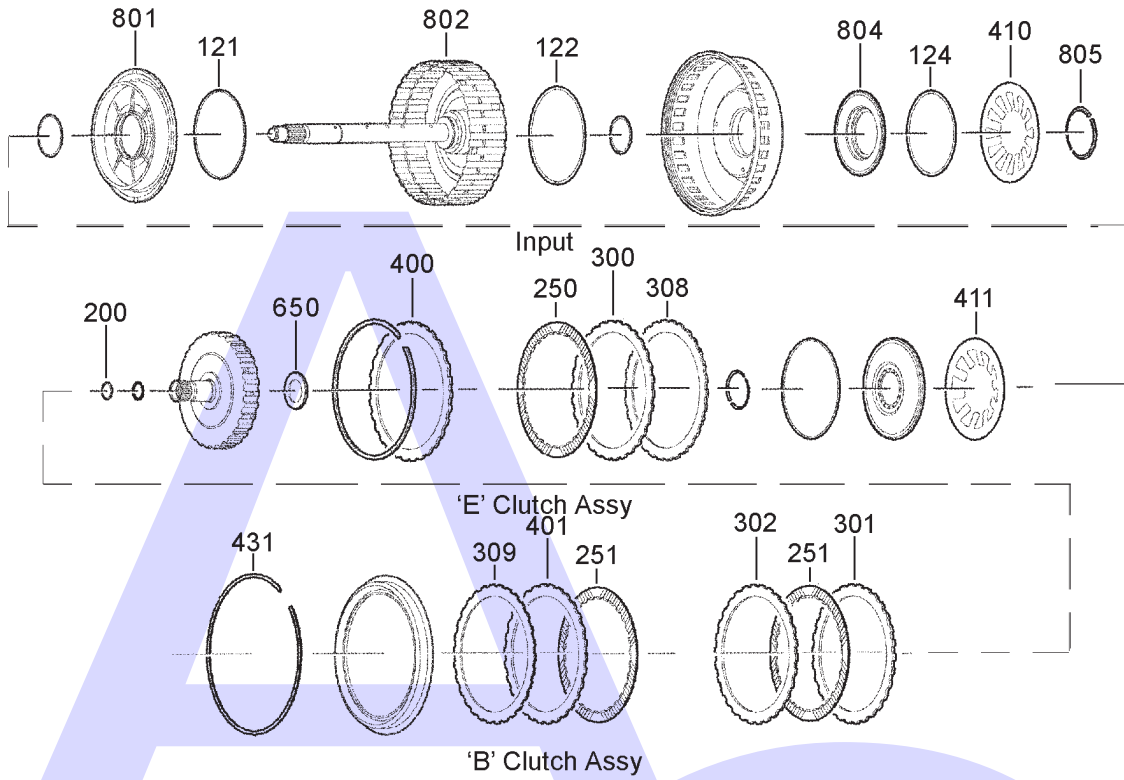


AUTOMATIC CHOICE

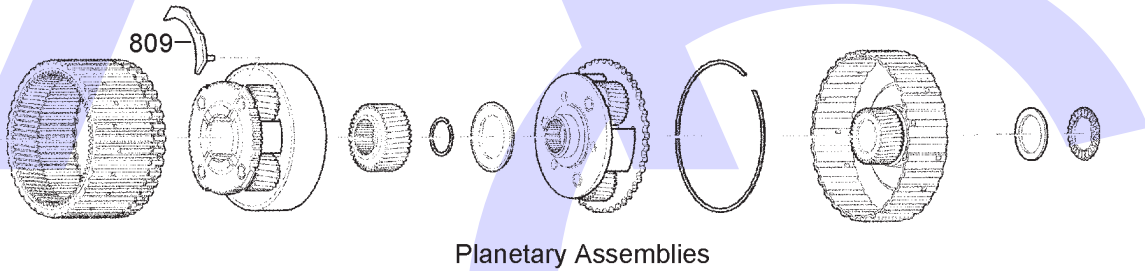


THE AUTOMATIC TRANSMISSION PARTS WAREHOUSE

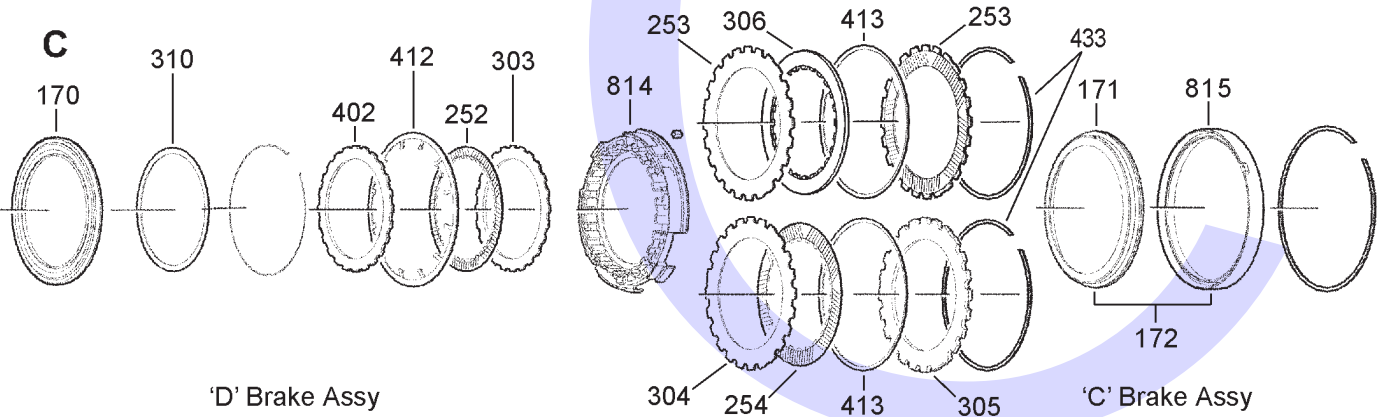
A



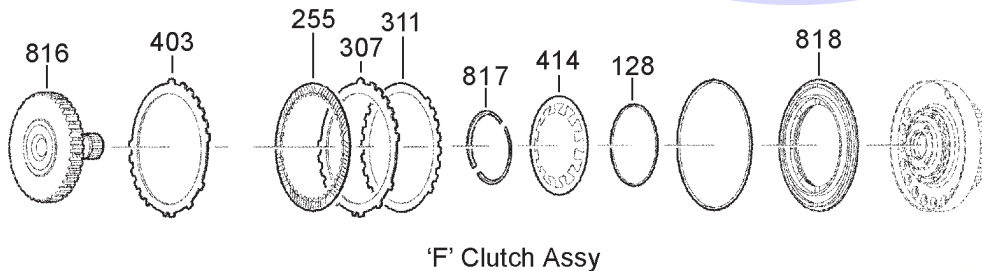
B



C



D



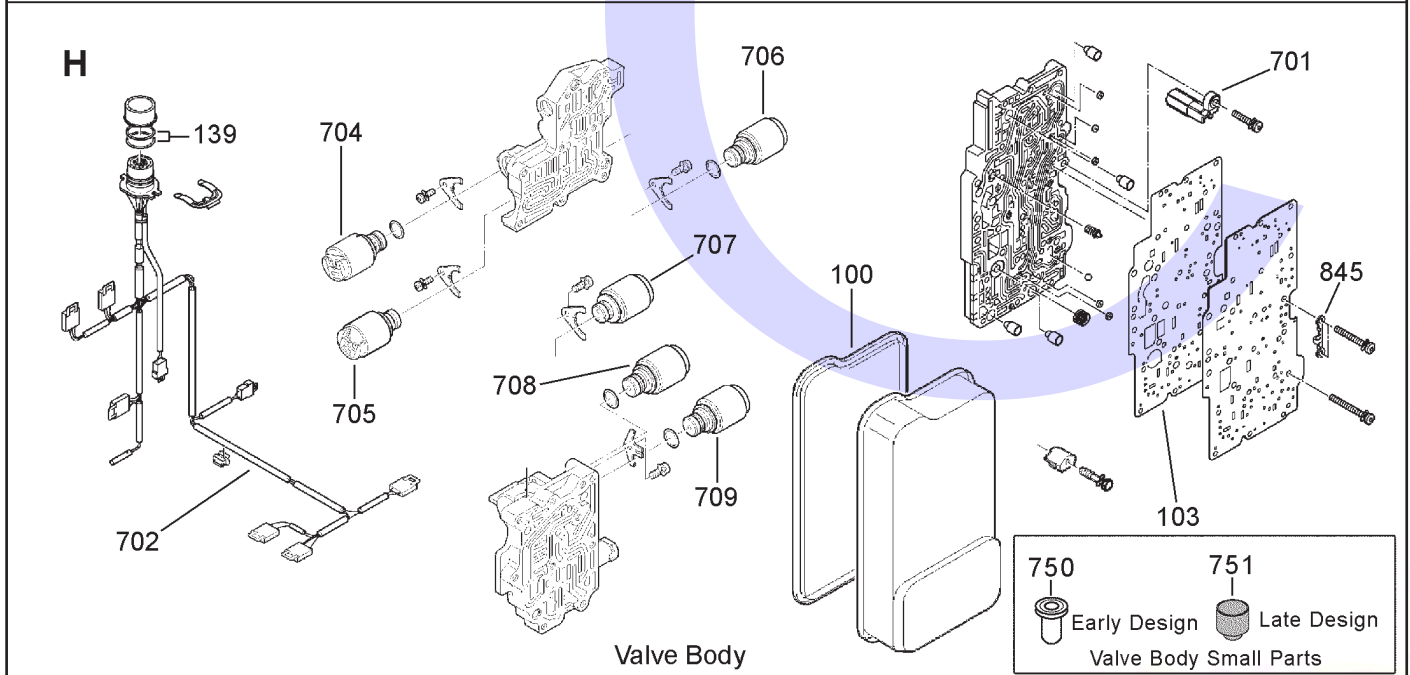
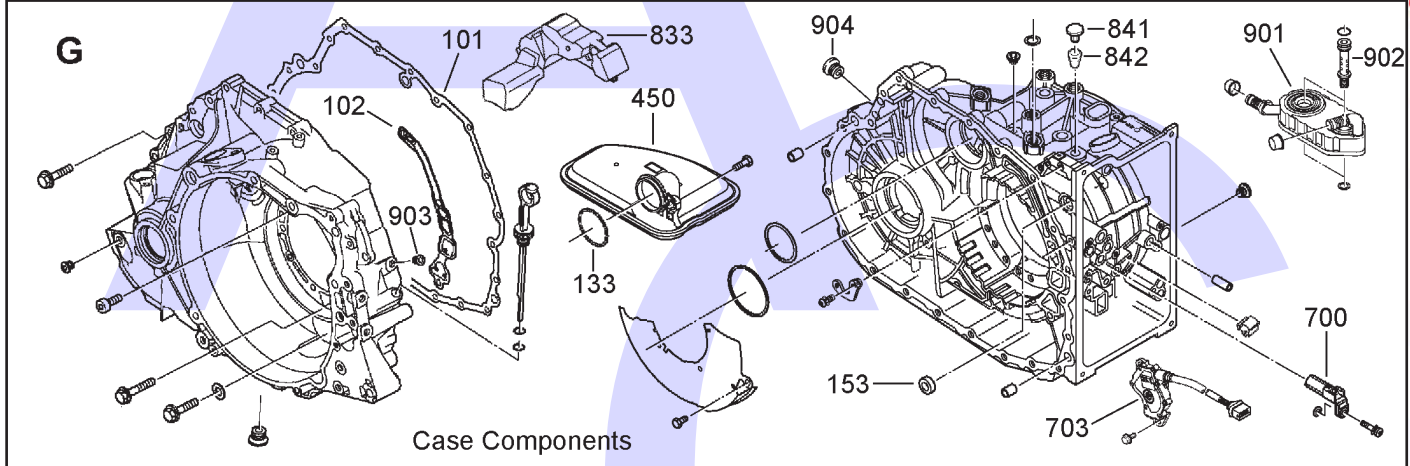
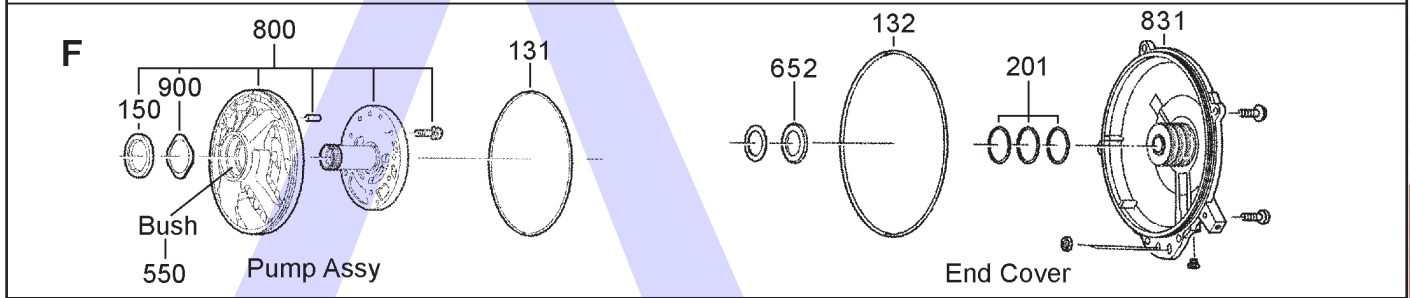
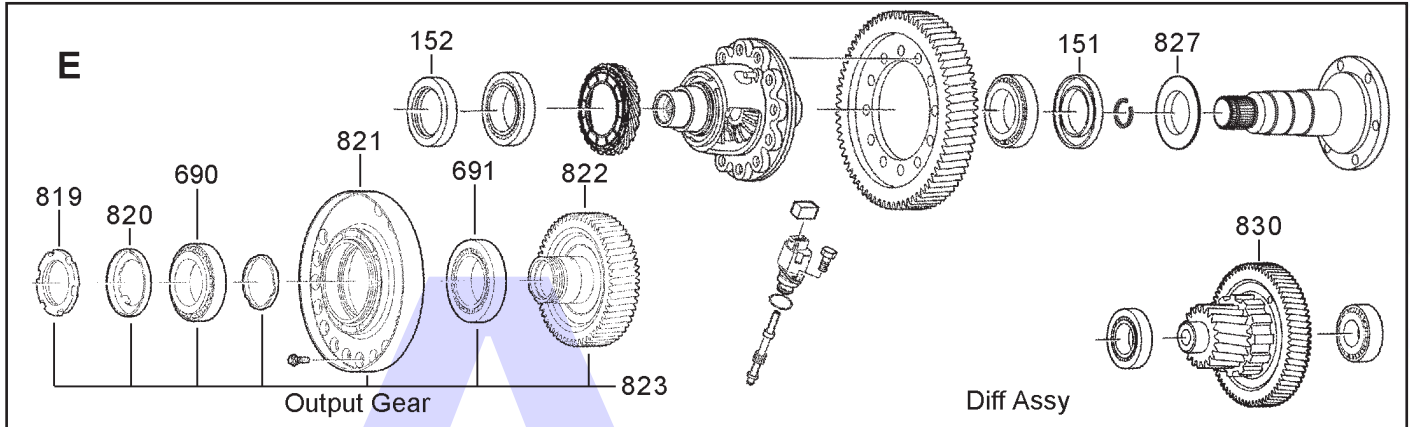
ZF 4HP20 (LMO) (RENAULT, CITROEN, PEUGEOT, FIAT, ALFA, MERCEDES) 4 SPEED FWD (Electronic Control) Code: 1019 000 xxx



AUTOMATIC CHOICE



THE AUTOMATIC TRANSMISSION PARTS WAREHOUSE



ZF 4HP20 (LMO) (RENAULT,CITROEN,PEUGEOT,FIAT,ALFA,MERCEDES)

4 SPEED FWD (Electronic Control) Code: 1019 000 xxx



AUTOMATIC CHOICE



THE AUTOMATIC TRANSMISSION PARTS WAREHOUSE

ILL NO.	DESCRIPTION	YEARS	QTY	PART NO
KITS				
Kit	Overhaul Kit (OEM) (Renault, Citroen & Peugeot) (Will fit Alfa if supplied with 4HP20.GAS02)	95-ON	1	4HP20.OHK01
Kit	Overhaul Kit (OEM) (Mercedes).....	97-ON	1	4HP20.OHK02
Kit	Overhaul Kit (OEM) (Fiat, Lancia, Alfa).....	98-ON	1	4HP20.OHK03
Kit	Overhaul (Combination Kit) (Mercedes, Renault, Citroen, Peugeot)	95-ON	1	4HP20.OHK05
Kit	Overhaul Kit (Precision) (All Models).....	95-ON	1	4HP20.OHK51
Kit	Valve Body Service Kit.....	95-ON	1	4HP20.OHK04
GASKETS				
100H	Valve Body Cover (OEM).....	95-ON	1	4HP20.GAS01
100H	Valve Body Cover (AM).....	95-ON	1	4HP20.GAS51
101G	Main Case Gasket (OEM) (Fiat, Lancia, Mercedes).....	97-ON	1	4HP20.GAS02
101G	Main Case Gasket (AM) (Fiat, Lancia, Mercedes).....	97-ON	1	4HP20.GAS52
101G	Main Case Gasket (OEM) (Peugeot, Citroen, Renault).....	95-ON	1	4HP20.GAS05
101G	Main Case Gasket (AM) (Peugeot, Citroen, Renault).....	95-ON	1	4HP20.GAS55
102G	Inner Main Case Gasket.....	95-ON	1	4HP20.GAS03
103H	Valve Body Gasket.....	95-ON	1	4HP20.GAS04
RUBBER COMPONENTS				
121A	'O' Ring, 'E' Clutch Outer	95-ON	1	4HP20.OR02
122A	'O' Ring, 'B' Clutch Outer	95-ON	1	5HP18.OR05
124A	'O' Ring, Oil Dam 'B' Clutch	95-ON	1	4HP20.OR03
128D	'O' Ring, 'F' Clutch Inner	95-ON	1	5HP19.OR17
131F	'O' Ring, Pump Outer.....	95-ON	1	4HP20.OR01
132F	'O' Ring, End Cover to Case.....	95-ON	1	5HP18.OR02
133G	'O' Ring, Oil Filter	95-ON	1	4HP20.OR04
139H	Case Connector 'O' Ring	95-ON	2	5HP18.OR03
METAL CLAD SEALS				
150F	Pump Body	95-ON	1	6HP26.MCS01
151E	Diff L.H (OEM) (All Except Mercedes).....	95-ON	1	4HP20.MCS04
151E	Diff L.H (AM) (All Except Mercedes).....	95-ON	1	4HP20.MCS54
151E	Diff L.H 45x62x7 (Mercedes)....	95-ON	1	4HP20.MCS06
152E	Diff R.H (OEM) (All Except Mercedes).....	95-ON	1	4HP20.MCS05
152E	Diff R.H (AM) (All Except Mercedes).....	95-ON	1	4HP20.MCS55
152E	Diff R.H (OEM) (Mercedes 40x58x10/19).....	95-ON	1	4HP20.MCS07
152E	Diff R.H + Retainer(AM) (Mercedes 40x58x10/19).....	95-ON	1	4HP20.MCS57
153G	Selector Shaft Seal	95-ON	1	4HP20.MCS08
MOULDED PISTONS				
170C	'D' Brake.....	95-ON	1	4HP20.PIS01
171C	'C' Brake Box Codes (005, 007, 008, 010, 018).....	95-ON	1	N.L.A.
171C	'C' Brake Except Box Codes (005, 007, 008, 010, 018).....	95-ON	1	4HP20.PIS03
172C	'C' Brake Piston & Cylinder Assy Except Box Codes (005, 007, 008, 010, 018).....	95-ON	1	4HP20.PISKIT

ILL NO.	DESCRIPTION	YEARS	QTY	PART NO
SEALING RINGS				
Kit	Sealing Ring Kit (Precision).....	95-ON	1	4HP20.SRK01
200A	'E' Clutch/Input Shaft.....	95-ON	1	4HP20.SSR01
201F	Rear Cover.....	95-ON	3	4HP20.SSR02
FRICITION PLATES				
Kit	Friction Plate	95-ON	1	4HP20.FRK01
Kit	Friction Plate (Alto)	95-ON	1	4HP20.FRK51
250A	'E' Clutch.....	95-ON	5	4HP20.FRP04
251A	'B' Clutch.....	95-ON	3	4HP20.FRP04
252C	'D' Brake.....	95-ON	4	5HP19.FRP02
253C	'C' Brake Except Box Codes (005, 007, 008, 010, 018).....	95-ON	2	4HP20.FRP03
254C	'C' Brake Box Codes (005, 007, 008, 010, 018 Only)	95-ON	1	4HP20.FRP02
255D	'F' Clutch	95-ON	3	5HP19.FRP02
STEEL PLATES				
Kit	Steel Plate (Check Codes).....	95-ON	1	4HP20.STK01
Kit	Steel Plate (Alto).....	95-ON	1	4HP20.STK51
300A	'E' Clutch	95-ON	4-5	4HP20.STP09
301A	'B' Clutch 3.90mm Box Codes (005, 007, 008, 010, 018 Only)	95-ON	1	4HP20.STP12
301A	'B' Clutch 3.90mm Except Box Codes (005, 007, 008, 010, 018).....	95-ON	1	4HP20.STP14
302A	'B' Clutch 2.40mm Box Codes (005, 007, 008, 010, 018 Only)	95-ON	1-2	4HP20.STP13
302A	'B' Clutch 2.40mm Except Box Codes (005, 007, 008, 010, 018).....	95-ON	1-2	4HP20.STP15
303C	'D' Brake 1.80mm Box Codes (005, 007, 008, 010, 018 Only)	95-ON	4	4HP20.STP03
303C	'D' Brake 1.80mm Except Box Codes (005, 007, 008, 010, 018).....	95-ON	4	4HP20.STP05
304C	'C' Brake 1.80mm Box Codes (005, 007, 008, 010, 018 Only)	95-ON	1	4HP20.STP06
305C	'C' Brake 3.00mm Box Codes (005, 007, 008, 010, 018 Only)	95-ON	1	4HP20.STP07
306C	'C' Brake Except Box Codes (005, 007, 008, 010, 018).....	95-ON	1	4HP20.STP08
307D	'F' Clutch	95-ON	3	4HP20.STP01
308A	'E' Clutch Wavy Steel.....	95-ON	1	4HP20.STP10
309A	'B' Clutch Wavy Steel.....	95-ON	1	4HP20.STP10
310C	'D' Brake Wavy Steel.....	95-ON	1	4HP20.STP04
311D	'F' Clutch Wavy Steel	95-ON	1	4HP20.STP02
PRESSURE PLATES				
400A	'E' Clutch 4.80mm Box Codes (005, 007, 008, 010, 018 Only)	95-ON	1	4HP20.PP08
400A	'E' Clutch 4.80mm Except Box Codes (005, 007, 008, 010, 018).....	95-ON	1	4HP20.PP10
400A	'E' Clutch 3.90mm Box Codes (005, 007, 008, 010, 018 Only)	95-ON	1	4HP20.PP09
400A	'E' Clutch 3.90mm Except Box Codes (005, 007, 008, 010, 018).....	95-ON	1	4HP20.PP11
401A	'B' Clutch Box Codes (005, 007, 008, 010, 018 Only)	95-ON	1	4HP20.PP12
	(3.00mm, OEM)			5HP24.STP03
	(3.00mm, Aftermarket).....			4HP20.PP13
	(2.70mm).....			4HP20.PP14
	(2.40mm).....			4HP20.PP15
	(2.10mm).....			4HP20.PP16
	(1.80mm).....			4HP20.PP16

ZF 4HP20 (LMO) (RENAULT,CITROEN,PEUGEOT,FIAT,ALFA,MERCEDES)

4 SPEED FWD (Electronic Control) Code: 1019 000 xxx



AUTOMATIC CHOICE



THE AUTOMATIC TRANSMISSION PARTS WAREHOUSE

ILL NO.	DESCRIPTION	YEARS	QTY	PART NO
PRESSURE PLATES Cont...				
401A	'B' Clutch Except Box Codes (005, 007, 008, 010, 018).....	95-ON	1	
	(3.00mm).....			4HP20.PP17
	(2.70mm).....			4HP20.PP18
	(2.40mm).....			4HP20.PP19
	(2.10mm).....			4HP20.STP09
	(1.80mm).....			4HP20.PP21
402C	'D' Brake Box Codes (005, 007, 008, 010, 018 Only) .	95-ON	1	
	(2.40mm).....			4HP20.PP04
	(2.10mm).....			4HP20.PP05
	(1.80mm).....			4HP20.STP03
402C	'D' Brake Except Box Codes (005, 007, 008, 010, 018).....	95-ON	1	
	(2.40mm).....			4HP20.PP06
	(2.10mm).....			4HP20.PP07
	(1.80mm).....			4HP20.STP05
403D	'F' Clutch Selective.....	95-ON	1	
	(3.60mm).....			4HP20.PP01
	(3.30mm).....			4HP20.PP02
	(3.00mm).....			4HP20.PP03
SPRINGS & CIRCLIPS				
410A	'E' Clutch Diaphragm Spring.....	95-ON	1	4HP20.DIA05
411A	'B' Clutch Diaphragm Spring.....	95-ON	1	4HP20.DIA06
412C	'D' Brake Diaphragm Spring.....	95-ON	1	4HP20.DIA02
413C	'C' Brake Diaphragm Spring Except Box Codes (005, 007, 008, 010, 018).....	95-ON	1	4HP20.DIA04
413C	'C' Brake Diaphragm Spring Box Codes (005, 007, 008, 010, 018 Only) .	95-ON	1	4HP20.DIA03
414D	'F' Clutch Diaphragm Spring.....	95-ON	1	4HP20.DIA01
431A	Circlip 'B' Clutch Retaining (Modified) (3.05mm Click here for Details)	95-ON	1	4HP20.CIR01
433C	Circlip 'C' Brake Retaining (Selective) (1.50mm Thick).....	95-ON	AR	4HP20.CIR05
	(1.70mm Thick).....	95-ON	AR	4HP20.CIR03
	(1.80mm Thick).....	95-ON	AR	4HP20.CIR02
FILTERS				
450G	Pick Up Filter (Mercedes, Fiat, Alfa Romeo) (Also Peugeot Codes 1019 000 067, 073)	95-ON	1	4HP20.FIL01
450G	Pick Up Filter (OEM) (Mercedes, Fiat, Alfa Romeo) (Also Peugeot Codes 1019 000 067, 073)	95-ON	1	4HP20.FIL21
450G	Pick Up Filter (Peugeot, Citroen, Renault) (Except Codes 1019 000 067, 073)	95-ON	1	4HP20.FIL02
450G	Pick Up Filter (OEM) (Peugeot, Citroen, Renault) (Except Codes 1019 000 067, 073)	95-ON	1	4HP20.FIL22
BUSHINGS				
550F	Pump Body Bush (Oversize OD) (Pump requires machining) (Sonnax® Click here for Info) ...	95-ON	1	5HP19.BUS01
550F	Pump Body Bush (Oversize OD & Undersize ID) (Pump requires machining & Bush requires machining after fitting to fit converter neck) (Sonnax® Click here for Info) ..	95-ON	1	5HP19.BUS02

ILL NO.	DESCRIPTION	YEARS	QTY	PART NO
THRUST WASHERS & BEARINGS				
650A	Radial Bearing, 'E' Clutch Hub to Input Shaft.....	95-ON	1	4HP20.TOR01
652F	Radial Bearing, End Cover	95-ON	1	4HP20.TOR01
690E	Output Roller Bearing (Centre Support)	95-ON	1	4HP20.BE02
691E	Output Roller Bearing	95-ON	1	4HP20.BE01
ELECTRICAL COMPONENTS				
700G	Inductive Output Speed Sensor (Fits in Case) All Except Codes (1019 000 037, 041 042, 052, 053, 054, 055, 056, 058, 063 064, 065, 066, 067, 068 & 073)	95-ON	1	4HP20.ELE01
700G	Hall Effect Output Speed Sensor (Fits in Case) Codes (1019 000 037, 041, 042, 052, 053, 054, 055, 056, 058, 063, 064, 065, 066, 067, 068 & 073)	95-ON	1	4HP20.ELE06
701H	Inductive Input Speed Sensor (Fits on Valve Body).....	95-ON	1	4HP20.ELE01
702H	Valve Body Loom & Temp Sensor (Fits Codes 1019 000 005, 007, 008, 009, 010, 013, 015, 016, 017, 018, 019, 020, 021, 022, 023, 024, 025, 027, 031, 032, 044, 045, 046, 047, 048, 049, 050, 060, 062, 071)	95-ON	1	4HP20.ELE02
702H	Valve Body Loom & Temp Sensor (Fits Codes 1019 000 037, 041, 042, 052, 053, 054, 055, 056, 058, 063, 064, 065, 066, 067, 068, 073, 074, 075, 077, 078, 081, 083)	95-ON	1	4HP20.ELE07
703G	Range Switch (Peugeot, Citroen) (Fits Codes 1019 000 009, 010, 013, 015, 017, 018, 020, 037, 041, 042, 044, 045, 046, 052, 053, 054, 055, 056, 058, 063, 064, 065, 066, 068, 074, 075, 078, 083)	95-ON	1	4HP20.ELE03
703G	Range Switch (Mercedes) (Fits Codes 1019 000 005, 007, 008, 021, 022, 023, 025, 027, 049, 050, 060, 071, 081)	95-ON	1	4HP20.ELE04
703G	Range Switch (Fiat) (Fits Codes 1019 000 019, 024, 062, 067, 073, 077)	95-ON	1	4HP20.ELE08
703G	Range Switch (Renault) (Fits Codes 1019 000 016, 031, 032, 047, 048)	95-ON	1	4HP20.ELE05
704H	PWM Solenoid (EDS6, Regulator 6)	95-ON	1	4HP20.SOL02
705H	Shift Solenoid (MV1).....	95-ON	1	4HP20.SOL01
706H	PWM Solenoid (EDS4, Regulator 4) (Pressure Control).....	95-ON	1	4HP20.SOL03
707H	PWM Solenoid (EDS5, Regulator 5)	95-ON	1	4HP20.SOL02
708H	PWM Solenoid (EDS3, Regulator 3) (Lock Up Control).....	95-ON	1	4HP20.SOL02
709H	Shift Solenoid (MV2).....	95-ON	1	4HP20.SOL01
Kit	Solenoid Valve Kit.....	95-ON	1	4HP20.SOL10
VALVE BODY PARTS				
750H	Damper Plug (Rubber) (Early Design).....	95-ON	4	5HP19.ACC01
751H	Damper Plug (Aluminium) (Late Design).....	95-ON	4	5HP19.ACC02
Kit	Valve Body Service Kit.....	95-ON	1	4HP20.OHK04
NI	Manual Selector Valve	95-ON	1	4HP20.VA01

ZF 4HP20 (LMO) (RENAULT,CITROEN,PEUGEOT,FIAT,ALFA,MERCEDES)

4 SPEED FWD (Electronic Control) Code: 1019 000 xxx



AUTOMATIC CHOICE



THE AUTOMATIC TRANSMISSION PARTS WAREHOUSE

ILL NO.	DESCRIPTION	YEARS	QTY	PART NO
HARD PARTS				
800F	Pump Assy.....	95-ON	1	4HP20.PUM01
NI	Pump Bolt (M6 x 20mm).....	95-ON	9	4HP20.NUT03
802A	Input Drum (Updated, requires #431A) (Click here for Details)	95-ON	1	4HP20.DRU01
814C	'C'/D' Disc Carrier (Except Box Codes 1019 000 005, 007, 008, 010, 018)	95-ON	1	4HP20.HUB01
804A	Oil Dam, 'B' Clutch.....	95-ON	1	4HP20.SP01
801A	'E' Clutch Piston (Aluminium) (Fits Codes: 1019 000 007, 008, 010, 018, 020, 022, 023, 025, 042, 050, 066, 071, 075, 081, 083)	95-ON	1	4HP20.PIS05
801A	'E' Clutch Piston (Aluminium) (Except Codes: 1019 000 007, 008, 010, 018, 020, 022, 023, 025, 042, 050, 066, 071, 075, 081, 083)	95-ON	1	4HP20.PIS04
805A	Retaining Ring, 'E' Clutch Diaphragm.....	95-ON	1	4HP20.RET03
809B	Oil Dam, Planetary.....	95-ON	1	4HP20.RET08
815C	Piston Retainer/Cylinder ('C' Brake).....	95-ON	1	4HP20.RET05
816D	Sun Gear Shaft.....	95-ON	1	4HP20.SUN01
817D	Retainer 'F' Clutch Diaphragm..	95-ON	1	4HP20.RET04
818D	'F' Clutch Piston.....	95-ON	1	4HP20.PIS06
819E	Slotted Nut, Output Bearing.....	95-ON	1	4HP20.NUT01
820E	Tab Washer, Output Roller Bearing.....	95-ON	1	4HP20.RET02
821E	Bearing Plate, Output Gear.....	95-ON	1	4HP20.SUP01
822E	Spur Gear (58 Teeth) (Codes 1019 000 008, 010, 018, 019, 020, 023, 025, 031, 042, 047, 050, 062, 064, 065, 066, 068, 071, 075, 078, 081, 083)	95-ON	1	4HP20.GE01
822E	Spur Gear (Codes 1019 000 005, 007, 015, 016, 017, 021, 022, 024, 025, 027, 030, 032, 034, 036, 040, 041, 045, 046, 048, 049, 052, 054, 055, 056, 058, 059, 060, 061, 067, 073, 074, 077)	95-ON	1	4HP20.GE03
823E	Support & Output Gear Assy (Renault) (Codes 1019 000 008, 010, 018, 019, 020, 023, 025, 031, 042, 047, 050, 062, 064, 065, 066, 068, 071, 075, 078, 081, 083)	95-ON	1	4HP20.SUP02
827E	Seal Protection Ring L/H (Alfa Romeo) (Codes: 1019 000 019, 024, 062,)	95-ON	1	4HP20.RET06
830E	Side Shaft (19/68 Teeth) (Codes 1019 000 007, 022, 024, 058, 073, 074)	95-ON	1	4HP20.GE02
831F	End Cover (Mercedes) (Codes 1019 000 027, 049, 060)	95-ON	1	4HP20.COV01
833G	Oil Tank (Plastic) (Codes 1019 000 009, 010, 013, 015, 016, 017, 018, 020, 031, 032, 037, 041, 042, 044, 045, 046, 047, 048, 053, 054, 055, 056, 063, 066, 075, 081, 083)	95-ON	1	4HP20.RET07
841G	Plastic Breather Cap.....	95-ON	1	5HP19.CAP01
842G	Plastic Breather Tube.....	95-ON	1	5HP19.BRE01
845H	Fixing Plate, Valve Body.....	95-ON	1	4HP20.RET09
NI	Retainer (L.H. Diff Seal OEM)...	95-ON	1	4HP20.RET01
NI	Retainer (L.H. Diff Seal AM).....	95-ON	1	4HP20.RET51

ILL NO.	DESCRIPTION	YEARS	QTY	PART NO
SPECIAL ITEMS				
900F	Oil Dam (Fits Behind Pump seal).....	95-ON	1	5HP19.THW01
901G	Oil Cooler Assy (Renault/Matra) (Codes 1019 000 016, 031, 032, 047, 048)	95-ON	1	4HP20.COO01
901G	Oil Cooler Assy (Peugeot/Fiat) (Codes 1019 000 067, 068, 073, 074, 075, 077, 078, 081)	95-ON	1	4HP20.COO02
902G	Union Bolt, Oil Cooler (Except Codes 1019 000 007, 008, 019, 021, 022, 023, 024, 025, 027, 049, 050, 060, 062, 071)	95-ON	2	4HP20.NUT02
903G	Screw Plug, (M10x1).....	95-ON	1	4HP20.PLU01
904G	Screw Plug, (Codes: 1019 000 005, 007, 008, 021, 022, 023, 025.050, 071)	95-ON	1	5HP19.PLU02
NI	LifeGuardFluid5 x 1Ltr Bottle (Esso LT71141).....	95-ON	AR	OIL.50
NI	LifeGuardFluid5 x 20Ltr Canister (Esso LT71141).....	95-ON	AR	OIL.51
NI	LifeGuardFluid5 x 209Ltr Drum (Esso LT71141).....	95-ON	AR	OIL.52
TOOLS & MANUALS				
NI	OEM Repair Manual.....	95-ON		4HP20.MAN01
NI	Electrical Information Manual (Peugeot).....	95-ON		4HP20.MAN02
NI	Functional Description Manual (ATSG).....	95-ON		4HP20.MAN03
Click here to view special tools for this transmission				