

ZF 4HP18FLA (AUDI) Code: 1050 020 xxx

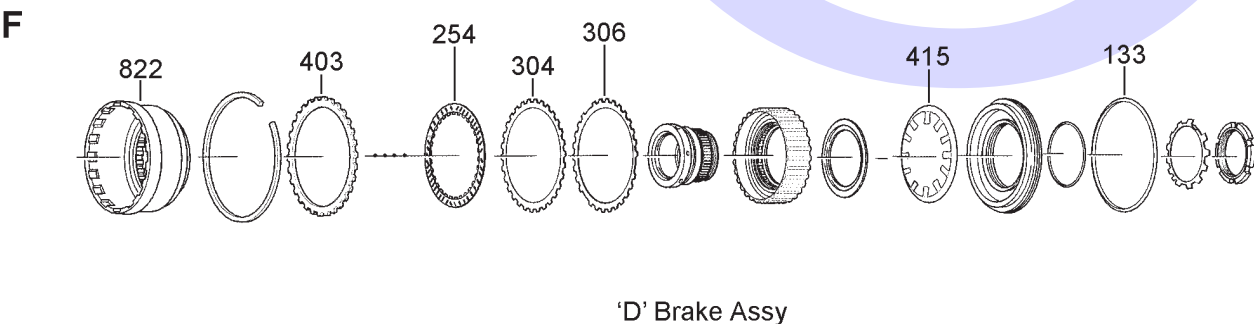
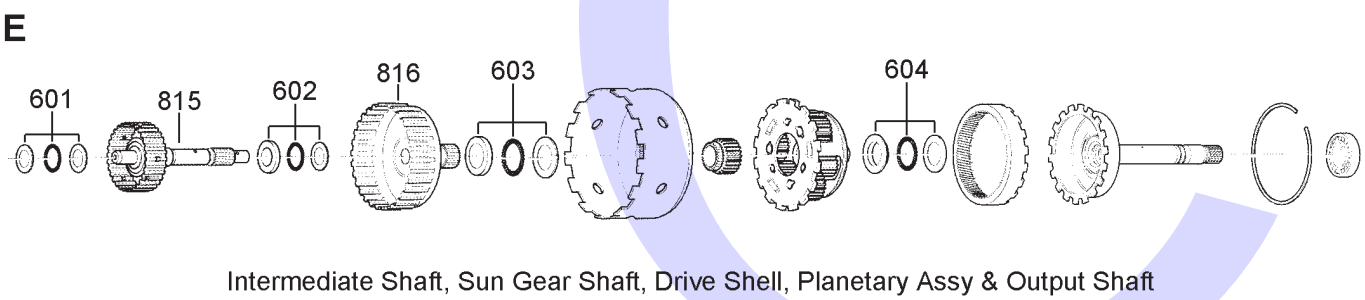
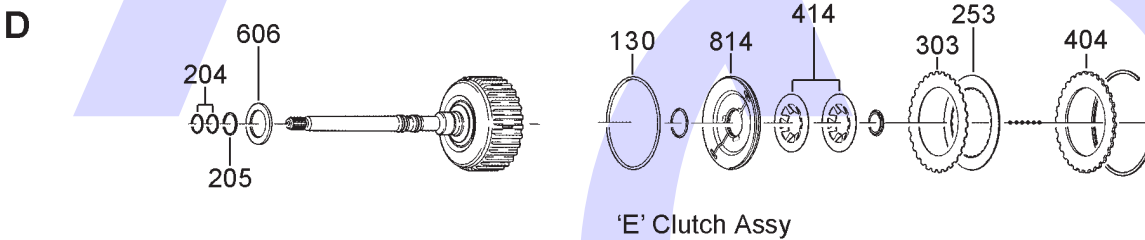
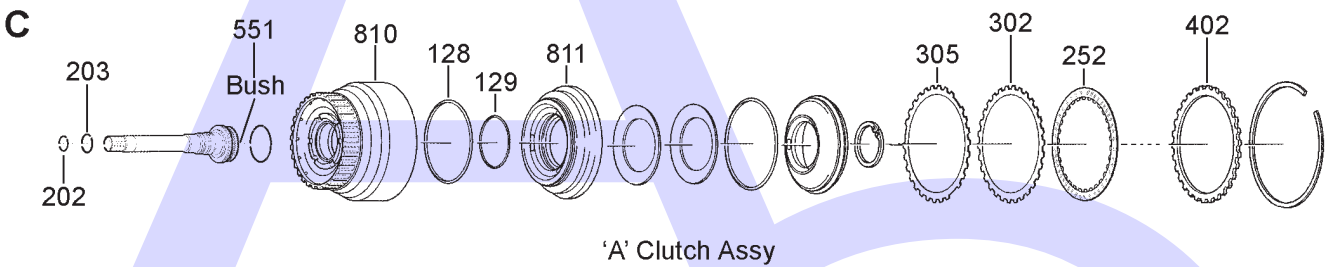
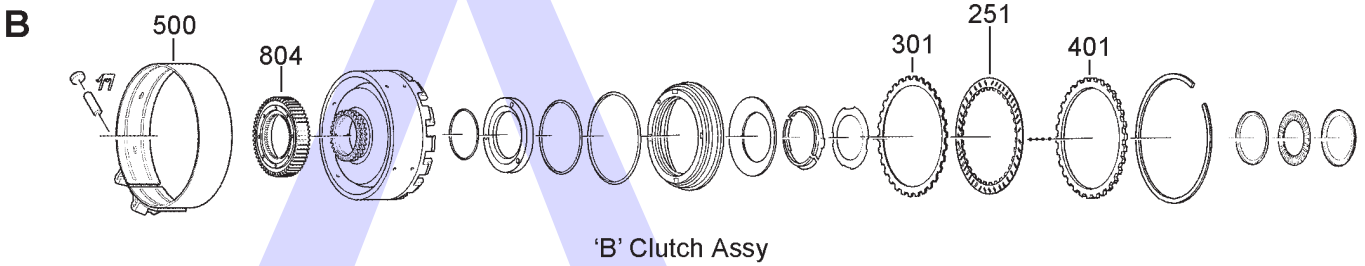
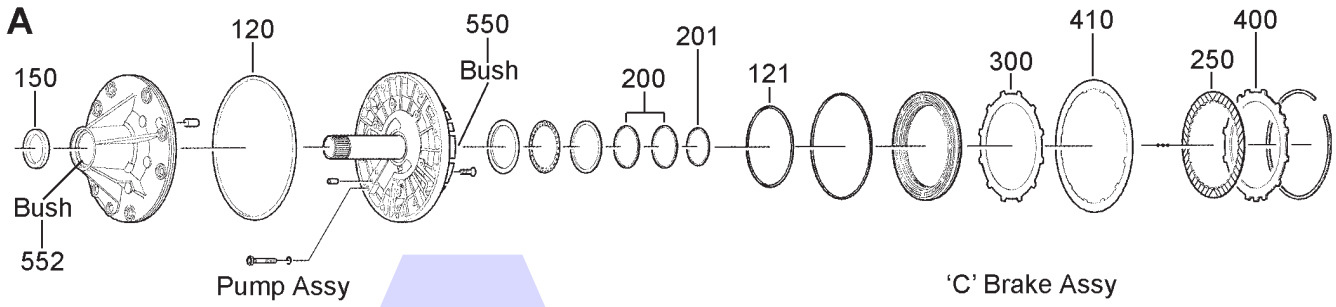
4 SPEED AWD (Electronic Control)



AUTOMATIC CHOICE



THE AUTOMATIC TRANSMISSION PARTS WAREHOUSE



ZF 4HP18FLA (AUDI) Code: 1050 020 xxx

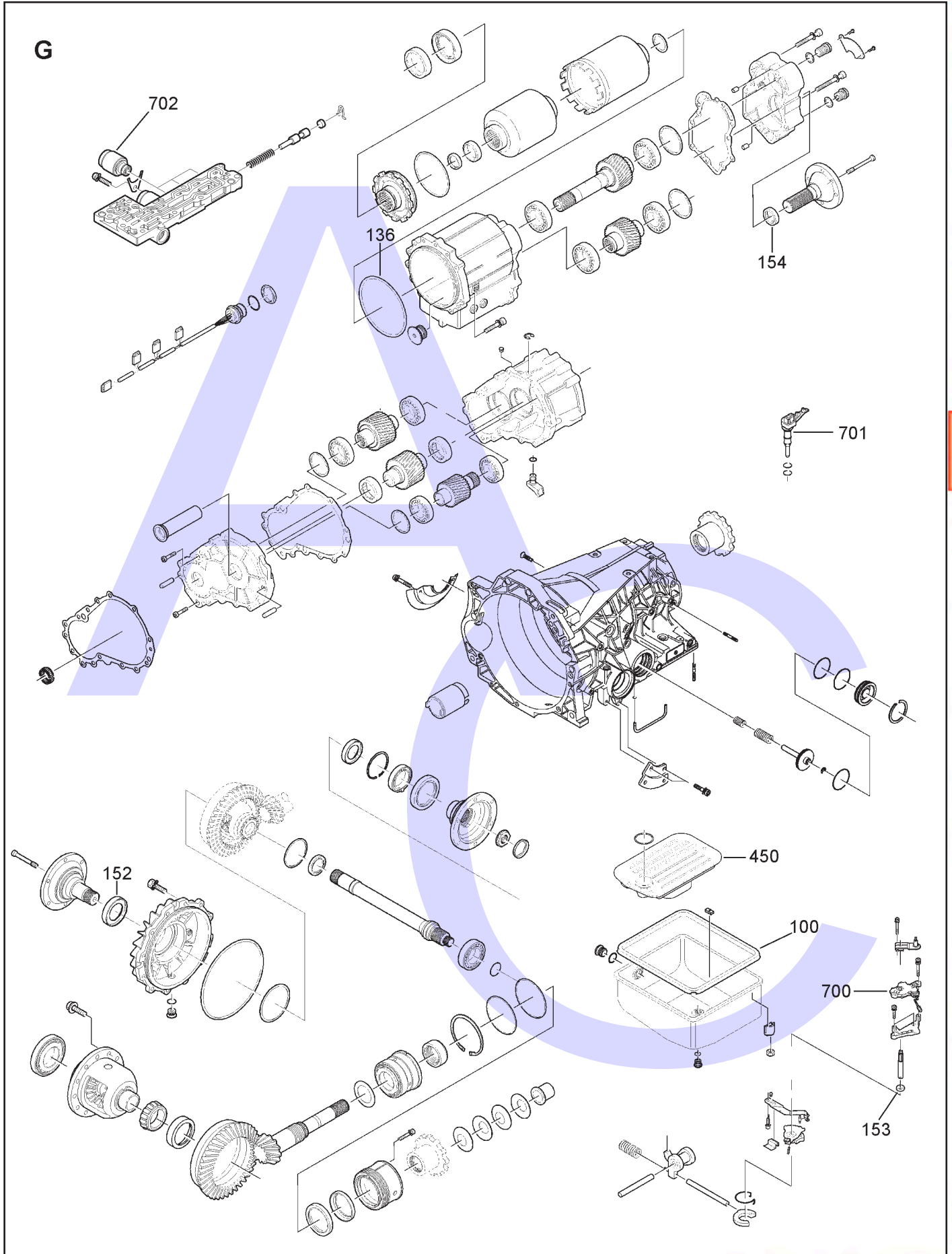
4 SPEED AWD (Electronic Control)



AUTOMATIC CHOICE



THE AUTOMATIC TRANSMISSION PARTS WAREHOUSE



ZF 4HP18FLA (AUDI) Code: 1050 020 xxx

4 SPEED AWD (Electronic Control)



AUTOMATIC CHOICE



THE AUTOMATIC TRANSMISSION PARTS WAREHOUSE

ILL NO.	DESCRIPTION	YEARS	QTY	PART NO
KITS				
Kit	Overhaul Kit (OEM).....	91-ON	1	4HP18.OHK04
Kit	Overhaul Kit (Precision) (Transmission & Transfer Case)	91-ON	1	4HP18.OHK52
Kit	Overhaul Kit (Precision) (Transmission Only).....	91-ON	1	4HP18.OHK53
Kit	Overhaul Kit (Bryco).....	91-ON	1	4HP18.OHK06
GASKETS				
100G	Pan Gasket (OEM).....	91-ON	1	4HP18.GAS05
100G	Pan Gasket (AM)	91-ON	1	4HP18.GAS55
Ni	Valve Body Gasket.....	91-ON	1	4HP18.GAS08
RUBBER COMPONENTS				
120A	Pump Outer 'O' Ring.....	91-ON	1	5HP18.OR02
121A	'O' Ring, 'C' Brake Inner.....	91-ON	1	6HP19.OR06
128C	'O' Ring, 'A' Clutch Outer	91-ON	1	5HP19.OR17
129C	'O' Ring, 'A' Clutch Inner	91-ON	1	5HP19.OR16
130D	'O' Ring, 'E' Clutch Outer	91-ON	1	6HP19.OR01
133F	'O' Ring, 'D' Clutch Outer	91-ON	1	5HP19.OR11
136G	'O' Ring, Distributor Housing.....	91-ON	1	5HP24.OR08
METAL CLAD SEALS				
150A	Converter Seal.....	91-ON	1	6HP26.MCS01
152G	Drive Shaft R/Hand.....	91-ON	1	4HP19.MCS12
153G	Selector Shaft	91-ON	1	CTX.MCS13
154G	Rear Output Seal	91-ON	1	5HP19.MCS08
SEALING RINGS				
Kit	Sealing Ring Kit (OEM).....	91-ON	1	4HP18.SRK01
Kit	Sealing Ring Kit (Bryco).....	91-ON	1	4HP18.SRK02
200A	Stator Support (Front).....	91-ON	2	4HP18.SSR06
201A	Stator Support (Rear).....	91-ON	1	4HP14.SSR03
202C	Turbine Shaft Front (Small).....	91-ON	1	4HP18.SSR04
203C	Turbine Shaft Rear (Large).....	91-ON	1	4HP18.SSR07
204D	Motor Shaft Front (Plastic).....	91-ON	2	4HP18.SSR02
205D	Motor Shaft Rear (Large).....	91-ON	1	4HP18.SSR08
FRICITION PLATES				
Kit	Friction Kit.....	91-ON	1	4HP18.FRK01
Kit	Friction Kit (Alto)	91-ON	1	4HP18.FRK52
Kit	Friction Kit (Borg Warner)	87-ON	1	4HP18.FRK02
250A	'C' Brake (Borg Warner)	91-ON	4	3HP22.FRP23
251B	'B' Clutch (OEM).....	91-ON	3	4HP18.FRP05
251B	'B' Clutch (Pattern).....	91-ON	3	4HP18.FRP15
252C	'A' Clutch (OEM)	91-ON	5	4HP18.FRP03
252C	'A' Clutch (Pattern).....	91-ON	5	4HP18.FRP12
253D	'E' Clutch (OEM)	91-ON	5	4HP18.FRP04
253D	'E' Clutch (Pattern).....	91-ON	5	4HP18.FRP14
253D	'E' Clutch (Alto)	91-ON	5	4HP18.FRP54
254F	'D' Brake (OEM).....	91-ON	6	4HP18.FRP02
254F	'D' Clutch (Pattern).....	91-ON	6	4HP18.FRP12
STEEL PLATES				
Kit	Steel Plate Kit	91-ON	1	4HP18.STK01
Kit	Steel Plate Kit (Alto).....	91-ON	1	4HP18.STK52
300A	'C' Brake.....	91-ON	4	3HP22.STP03
301B	'B' Clutch.....	91-ON	3	4HP18.STP01
302C	'A' Clutch.....	91-ON	5	4HP18.STP01
303D	'E' Clutch.....	91-ON	5	4HP18.STP02
304F	'D' Brake.....	91-ON	6	4HP18.STP01
305C	'A' Clutch Waved Plate.....	91-ON	1	4HP18.STP03
306F	'D' Clutch Waved Plate	91-ON	1	5HP19.STP15

ILL NO.	DESCRIPTION	YEARS	QTY	PART NO
PRESSURE PLATES				
400A	'C' Brake Pressure Plate.....	92-ON	1	4HP18.PP01
401B	'B' Clutch Pressure Plate	92-ON	1	4HP18.PP02
402C	'A' Clutch Pressure Plate	92-ON	1	4HP18.PP02
403F	'D' Clutch Pressure Plate	92-ON	1	4HP18.PP02
404D	'E' Clutch Pressure Plate (Alto)	87-ON	1	4HP18.PP03
SPRINGS & CIRCLIPS				
410A	'C' Brake Diaphragm Spring.....	91-ON	1	4HP18.DIA01
411B	'B' Clutch Diaphragm Spring.....	91-ON	1	4HP18.DIA02
414D	'E' Clutch Diaphragm Spring.....	91-ON	2	4HP18.DIA04
415F	'D' Brake Diaphragm Spring.....	91-ON	1	4HP18.DIA05
FILTERS				
450G	Filter.....	91-ON	1	4HP18.FIL02
BANDS				
500B	Band (OEM).....	91-ON	1	4HP18.BAN02
BUSHES				
550A	Stator Support (Rear).....	91-ON	1	4HP18.BUS01
551C	Turbine Shaft (Bronze).....	91-ON	1	4HP14.BUS12
552A	Pump Body Bush	91-ON	1	4HP18.BUS04
ELECTRONIC COMPONENTS				
Kit	Valve Body Solenoids	91-ON	1	4HP18.SOL10
700G	Range Switch.....	91-ON	1	4HP18.ELE04
701G	Vehicle Speed Sensor.....	91-ON	1	4HP18.ELE02
702G	Shift Solenoid.....	91-ON	3	5HP18.SOL01
THRUST WASHERS & BEARINGS				
601E	Thrust Bearing Kit ('E' Clutch to Int, Shaft)	91-ON	1	4HP18.TK01
602E	Thrust Bearing Kit (Int. Shaft to Sun Gear Shaft)	91-ON	1	4HP18.TK05
603E	Thrust Bearing Kit (Sun Gear Shaft to Drive Shell)	91-ON	1	4HP18.TK03
604E	Thrust Bearing Kit (Planetary to O. Shaft)	91-ON	1	5HP18.TK04
606D	Thrust Bearing 'A' to 'E' Clutch..	91-ON	1	4HP18.TOR04
VALVE BODY PARTS				
Ni	Spring Pressure Reg (Outer)	91-ON	1	5HP19.SPR03
Ni	Encapsulated Plastic Ball Valve (Fits in Main Valve Body)	91-ON	1	4HP22.VA01
Ni	'E' Clutch Accumulator Spring (Codes: 1050 020 021, 022, 023, 032)	91-ON	1	4HP14.SPR23
Ni	Orifice Plate 9In Vave Body) (2.20mm).....	91-ON	AR	4HP18.VA02
	(1.40mm).....	91-ON	AR	4HP18.VA04

ZF 4HP18FLA (AUDI) Code: 1050 020 xxx

4 SPEED AWD (Electronic Control)



AUTOMATIC CHOICE

ILL NO.	DESCRIPTION	YEARS	QTY	PART NO
HARD PARTS				
804B	'C'-'B' One Way Clutch Assy	91-ON	1	4HP18.OWC03
810C	'A' Clutch Drum	91-ON	1	4HP18.DRU03
811C	'A' Clutch Piston	91-ON	1	4HP18.PIS01
814D	'E' Clutch Piston	91-ON	1	4HP18.PIS04
815E	Intermediate Shaft.....	91-ON	1	5HP18.SH02
816E	Sun Gear Shaft	91-ON	1	5HP19.SH01
822F	Spider CL.Bell.....	91-ON	1	5HP19.PL01
NI	Cushion Spring 'C2' Servo (Pack of two)	91-ON	1	4HP18.SER02
SPECIAL ITEMS				
NI	ATSG Repair Manual	91-ON		4HP18.MAN02
NI	ATSG Diagnostic Guide	91-ON		4HP18.MAN03
NI	ATSG Diagnostic Guide (on CD).	91-ON		4HP18.MAN04

ILL NO.	DESCRIPTION	YEARS	QTY	PART NO
---------	-------------	-------	-----	---------



THE AUTOMATIC TRANSMISSION PARTS WAREHOUSE