

# ZF 4HP18E (ALFA, FIAT & LANCIA) Code: 1050 004 xxx

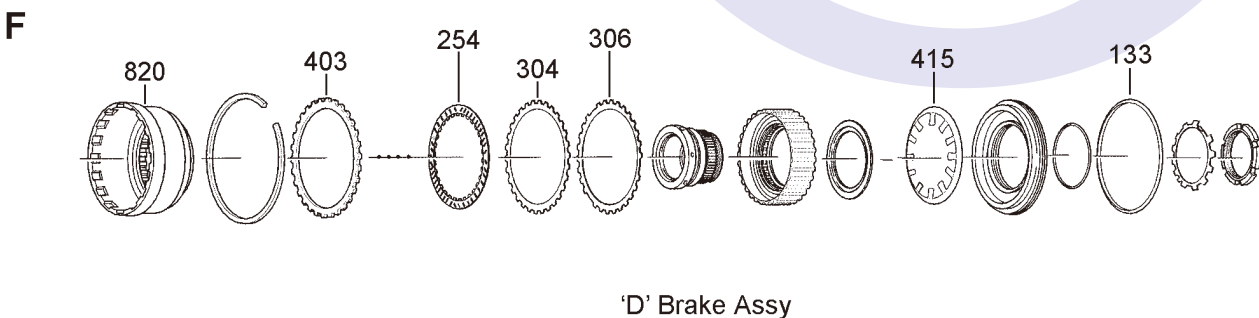
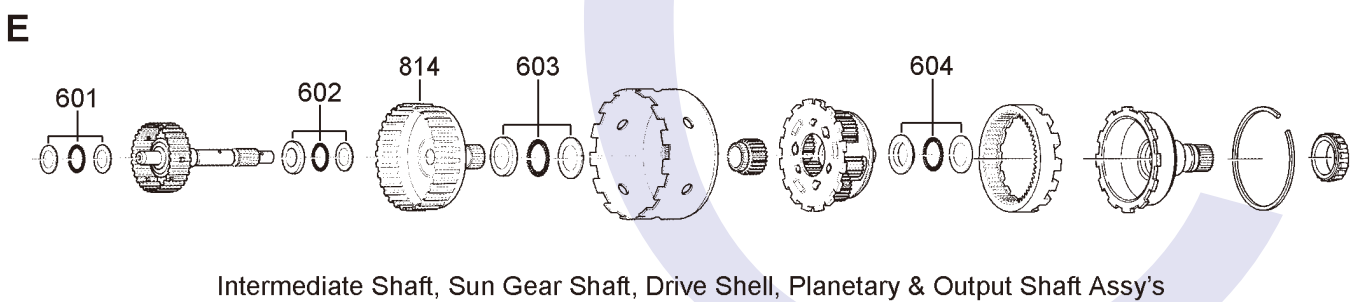
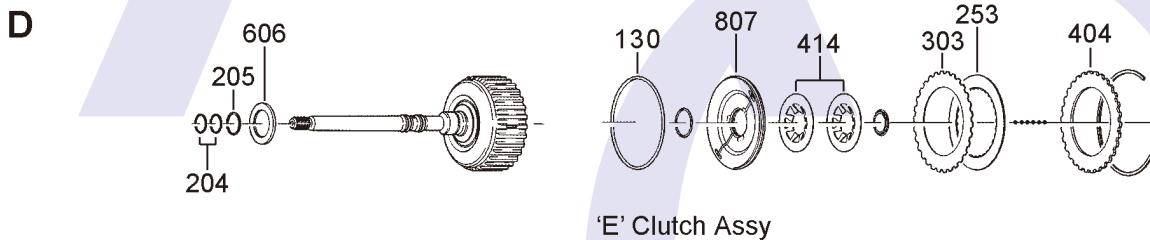
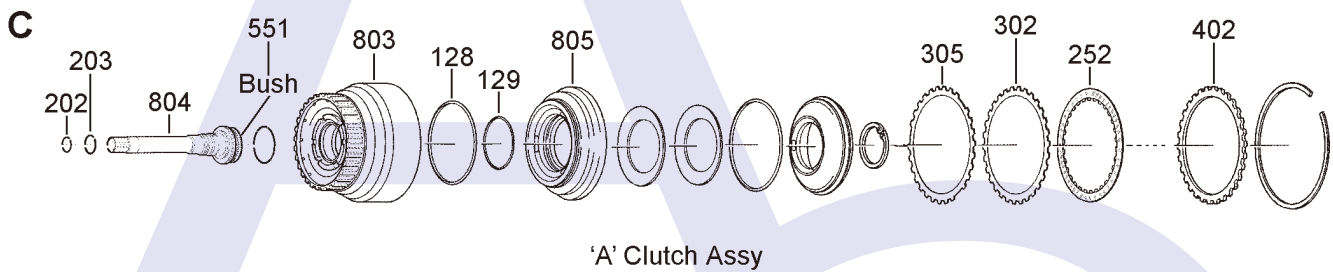
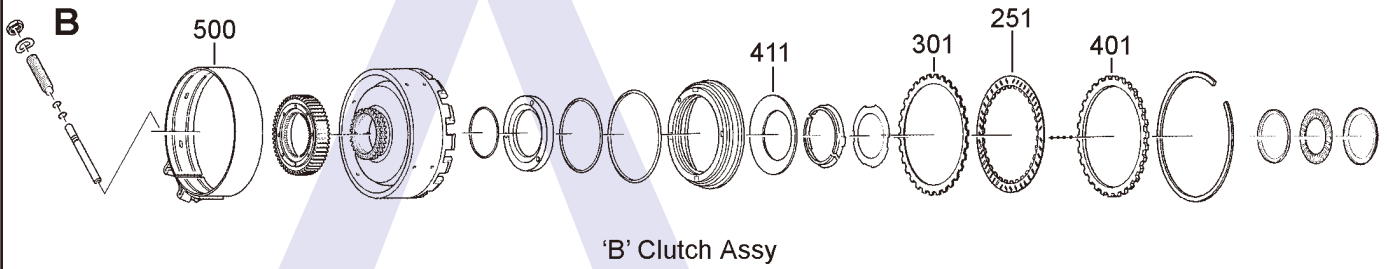
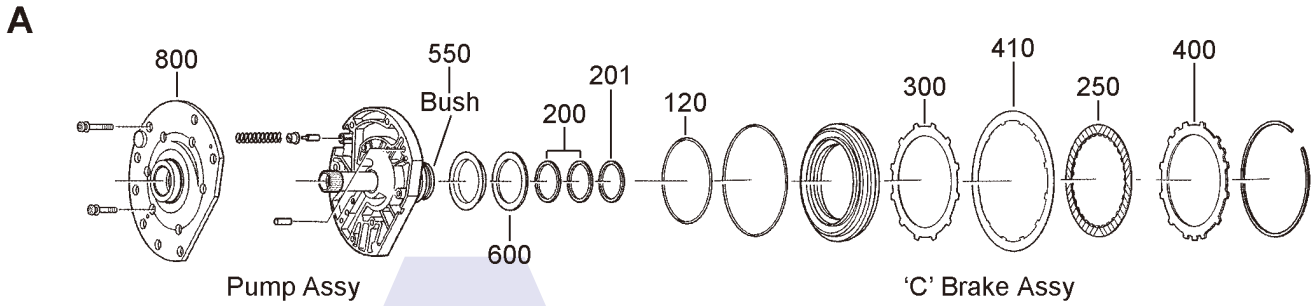
## 4 SPEED FWD (Electronic Control)



AUTOMATIC CHOICE



THE AUTOMATIC TRANSMISSION PARTS WAREHOUSE



# ZF 4HP18E (ALFA, FIAT & LANCIA) Code: 1050 004 xxx 4 SPEED FWD (Electronic Control)

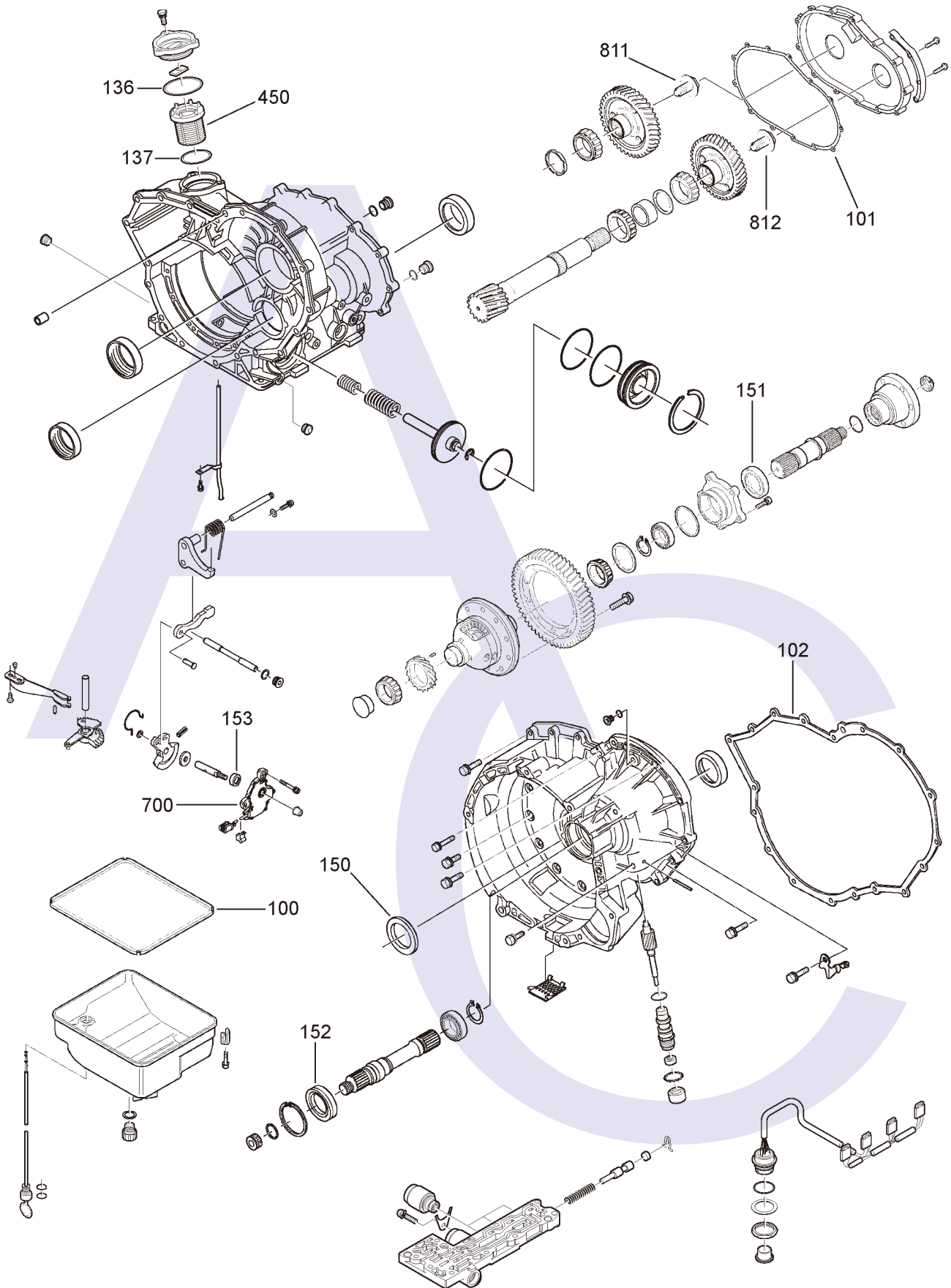


AUTOMATIC CHOICE



THE AUTOMATIC TRANSMISSION PARTS WAREHOUSE

G



Differential, Case & Valve Body Components

# ZF 4HP18E (ALFA, FIAT & LANCIA) Code: 1050 004 xxx

## 4 SPEED FWD (Electronic Control)



AUTOMATIC CHOICE



THE AUTOMATIC TRANSMISSION PARTS WAREHOUSE

ILL NO.	DESCRIPTION	YEARS	QTY	PART NO
<b>KITS</b>				
<b>GASKETS</b>				
100G	Pan Gasket (OEM).....	92-ON	1	<b>4HP18.GAS05</b>
100G	Pan Gasket (AM) .....	92-ON	1	<b>4HP18.GAS55</b>
101G	Spur Gear Gasket.....	92-ON	1	<b>4HP18.GAS02</b>
102G	Maincase Gasket (OEM).....	92-ON	1	<b>4HP18.GAS01</b>
102G	Maincase Gasket (AM) .....	92-ON	1	<b>4HP18.GAS51</b>
<b>RUBBER COMPONENTS</b>				
120A	'O' Ring, 'C' Brake Inner.....	92-ON	1	<b>6HP19.OR06</b>
128C	'O' Ring, 'A' Clutch Outer .....	92-ON	1	<b>5HP19.OR17</b>
129C	'O' Ring, 'A' Clutch Inner .....	92-ON	1	<b>5HP19.OR16</b>
130D	'O' Ring, 'E' Clutch Outer .....	92-ON	1	<b>6HP19.OR01</b>
133F	'O' Ring, 'D' Clutch Outer .....	92-ON	1	<b>5HP19.OR11</b>
136G	'O' Ring, Filter Cover.....	87-ON	1	<b>4HP18.OR03</b>
137G	'O' Ring, Filter Body .....	87-ON	1	<b>4HP18.OR02</b>
<b>METAL CLAD SEALS</b>				
150G	Converter Seal.....	87-ON	1	<b>6HP26.MCS01</b>
151G	Diff Left Hand Side.....	92-ON	1	<b>4HP18.MCS04</b>
152G	Diff Right Hand Side .....	92-ON	1	<b>4HP18.MCS05</b>
153G	Selector Shaft .....	92-ON	1	<b>CTX.MCS13</b>
<b>SEALING RINGS</b>				
Kit	Sealing Ring Kit (OEM).....	92-ON	1	<b>4HP18.SRK01</b>
Kit	Sealing Ring Kit (Bryco).....	92-ON	1	<b>4HP18.SRK02</b>
200A	Stator Support (Front).....	92-ON	2	<b>4HP18.SSR06</b>
201A	Stator Support (Rear).....	92-ON	1	<b>4HP14.SSR03</b>
202C	Turbine Shaft Front (Small).....	92-ON	1	<b>4HP18.SSR04</b>
203C	Turbine Shaft Rear (Large).....	92-ON	1	<b>4HP18.SSR07</b>
204D	Motor Shaft Front (Plastic).....	92-ON	2	<b>4HP18.SSR02</b>
205D	Motor Shaft Rear (Large).....	92-ON	1	<b>4HP18.SSR08</b>
<b>FRICITION PLATES</b>				
Kit	Friction Kit.....	92-ON	1	<b>4HP18.FRK01</b>
Kit	Friction Kit (Alto) .....	92-ON	1	<b>4HP18.FRK53</b>
Kit	Friction Kit (Borg Warner) .....	87-ON	1	<b>4HP18.FRK02</b>
250A	'C' Brake (Borg Warner) .....	92-ON	3	<b>3HP22.FRP23</b>
251B	'B' Clutch (OEM) .....	92-ON	2-3	<b>4HP18.FRP05</b>
251B	'B' Clutch (Pattern) .....	92-ON	2-3	<b>4HP18.FRP15</b>
252C	'A' Clutch (OEM) .....	92-ON	4-5	<b>4HP18.FRP03</b>
252C	'A' Clutch (Pattern).....	92-ON	4-5	<b>4HP18.FRP12</b>
253D	'E' Clutch (OEM) .....	92-ON	4-5	<b>4HP18.FRP04</b>
253D	'E' Clutch (Pattern).....	92-ON	4-5	<b>4HP18.FRP14</b>
253D	'E' Clutch (Alto) .....	92-ON	4-5	<b>4HP18.FRP54</b>
254F	'D' Brake (OEM) .....	92-ON	5-6	<b>4HP18.FRP02</b>
254F	'D' Clutch (Pattern).....	92-ON	5-6	<b>4HP18.FRP12</b>
<b>STEEL PLATES</b>				
Kit	Steel Plate Kit .....	92-ON	1	<b>4HP18.STK01</b>
Kit	Steel Plate Kit (Alto).....	92-ON	1	<b>4HP18.STK51</b>
300A	'C' Brake.....	92-ON	3	<b>3HP22.STP03</b>
301B	'B' Clutch .....	92-ON	2-3	<b>4HP18.STP01</b>
302C	'A' Clutch .....	92-ON	4-5	<b>4HP18.STP01</b>
303D	'E' Clutch .....	92-ON	4-5	<b>4HP18.STP02</b>
304F	'D' Brake.....	92-ON	5-6	<b>4HP18.STP01</b>
305C	'A' Clutch Waved Plate.....	92-ON	1	<b>4HP18.STP03</b>
306F	'D' Clutch Waved Plate .....	92-ON	1	<b>4HP18.STP03</b>

ILL NO.	DESCRIPTION	YEARS	QTY	PART NO
<b>PRESSURE PLATES</b>				
400A	'C' Brake Pressure Plate.....	92-ON	1	<b>4HP18.PP01</b>
401B	'B' Clutch Pressure Plate .....	92-ON	1	<b>4HP18.PP02</b>
402C	'A' Clutch Pressure Plate .....	92-ON	1	<b>4HP18.PP02</b>
403F	'D' Clutch Pressure Plate .....	92-ON	1	<b>4HP18.PP02</b>
404D	'E' Clutch Pressure Plate (Alto) .....	87-ON	1	<b>4HP18.PP03</b>
<b>SPRINGS &amp; CIRCLIPS</b>				
410A	'C' Brake Diaphragm Spring.....	92-ON	1	<b>4HP18.DIA01</b>
411B	'B' Clutch Diaphragm Spring.....	92-ON	1	<b>4HP18.DIA02</b>
414D	'E' Clutch Diaphragm Spring.....	92-ON	2	<b>4HP18.DIA04</b>
415F	'D' Brake Diaphragm Spring.....	92-ON	1	<b>5HP19.DIA06</b>
<b>FILTERS</b>				
450G	Filter.....	92-ON	1	<b>4HP18.FIL01</b>
<b>BANDS</b>				
500B	Band (OEM)			
	Box Code:1050 000 011 Only...	92-ON	1	<b>4HP18.BAN01</b>
500B	Band (New)			
	Box Code:1050 000 011 Only...	92-ON	1	<b>4HP18.BAN11</b>
<b>BUSHES</b>				
550A	Stator Support (Rear).....	92-ON	1	<b>4HP18.BUS01</b>
551C	Turbine Shaft (Bronze).....	92-ON	1	<b>4HP14.BUS12</b>
NI	Converter Bush.....	92-ON	1	<b>4HP18.BUS03</b>
<b>ELECTRONIC COMPONENTS</b>				
700G	Range Switch (Alfa) (Box Code:1050 004 010 Only)	92-ON	1	<b>4HP18.ELE03</b>
<b>VALVE BODY PARTS</b>				
NI	Spring Pressure Reg (Outer) ....	92-ON	1	<b>5HP19.SPR03</b>
NI	Encapulated Plastic Ball Valve (Fits in Main Valve Body) .....	92-ON	1	<b>4HP22.VA01</b>
NI	Orifice Plate 9In Vave Body) (2.20mm).....	92-ON	AR	<b>4HP18.VA02</b>
	(1.00mm).....	92-ON	AR	<b>4HP18.VA03</b>
	(1.40mm).....	92-ON	AR	<b>4HP18.VA04</b>
	(1.50mm).....	92-ON	AR	<b>4HP18.VA05</b>
<b>THRUST WASHERS &amp; BEARINGS</b>				
600A	Selective Pump Thrust Washer (1.00mm Thick).....	92-ON	AR	<b>4HP18.THW14</b>
600A	Selective Pump Thrust Washer (1.20mm Thick).....	92-ON	AR	<b>4HP18.THW13</b>
600A	Selective Pump Thrust Washer (1.40mm Thick).....	92-ON	AR	<b>4HP18.THW12</b>
600A	Selective Pump Thrust Washer (1.60mm Thick).....	92-ON	AR	<b>4HP18.THW11</b>
600A	Selective Pump Thrust Washer (1.80mm Thick).....	92-ON	AR	<b>4HP18.THW10</b>
600A	Selective Pump Thrust Washer (2.00mm Thick).....	92-ON	AR	<b>4HP18.THW09</b>
600A	Selective Pump Thrust Washer (2.20mm Thick).....	92-ON	AR	<b>4HP18.THW08</b>
600A	Selective Pump Thrust Washer (2.40mm Thick).....	92-ON	AR	<b>4HP18.THW07</b>

# ZF 4HP18E (ALFA, FIAT & LANCIA) Code: 1050 004 xxx

## 4 SPEED FWD (Electronic Control)



AUTOMATIC CHOICE



THE AUTOMATIC TRANSMISSION PARTS WAREHOUSE

ILL NO.	DESCRIPTION	YEARS	QTY	PART NO
<b>THRUST WASHERS &amp; BEARINGS Cont...</b>				
600A	Selective Pump Thrust Washer (2.60mm Thick).....	92-ON	AR	<b>4HP18.THW06</b>
600A	Selective Pump Thrust Washer (2.80mm Thick).....	92-ON	AR	<b>4HP18.THW05</b>
600A	Selective Pump Thrust Washer (3.00mm Thick).....	92-ON	AR	<b>4HP18.THW04</b>
600A	Selective Pump Thrust Washer (3.20mm Thick).....	92-ON	AR	<b>4HP18.THW03</b>
600A	Selective Pump Thrust Washer (3.40mm Thick).....	92-ON	AR	<b>4HP18.THW02</b>
600A	Selective Pump Thrust Washer (3.60mm Thick).....	92-ON	AR	<b>4HP18.THW01</b>
601E	Thrust Bearing Kit ('E' Clutch to Int, Shaft).....	92-ON	1	<b>4HP18.TK01</b>
602E	Thrust Bearing Kit (Int. Shaft to Sun Gear Shaft) ...	92-ON	1	<b>4HP18.TK05</b>
603E	Thrust Bearing Kit (Sun Gear Shaft to Drive Shell)	92-ON	1	<b>4HP18.TK03</b>
604E	Thrust Bearing Kit (Planetary to O. Shaft).....	92-ON	1	<b>5HP18.TK04</b>
606D	Thrust Bearing 'A' to 'E' Clutch..	92-ON	1	<b>4HP18.TOR04</b>
<b>HARD PARTS</b>				
800A	Short Pump Assy .....	92-ON	1	<b>4HP18.PUM01</b>
803C	'A' Clutch Drum .....	92-ON	1	<b>4HP18.DRU03</b>
804C	Turbine Shaft .....	92-ON	1	<b>4HP18.SH03</b>
805C	'A' Clutch Piston.....	92-ON	1	<b>4HP18.PIS01</b>
807D	'E' Clutch Piston.....	92-ON	1	<b>4HP18.PIS04</b>
811G	Bolt Output Gear to O. Shaft.....	92-ON	1	<b>4HP14.NUT01</b>
812G	Bolt Output Gear - Pinion Shaft	92-ON	1	<b>4HP18.NUT01</b>
814E	Sun Gear Shaft .....	82-ON	1	<b>5HP19.SH01</b>
820F	Spider CL.Bell.....	92-ON	1	<b>5HP19.PL01</b>
NI	Cushion Spring 'C2' Servo (Pack of two).....	92-ON	1	<b>4HP18.SER02</b>
<b>SPECIAL ITEMS</b>				

ILL NO.	DESCRIPTION	YEARS	QTY	PART NO
---------	-------------	-------	-----	---------