

MITSUBISHI W4A-32, FW4A33-1, F4A33-EV 4 SPEED FWD With Lock Up (Electronic Control)

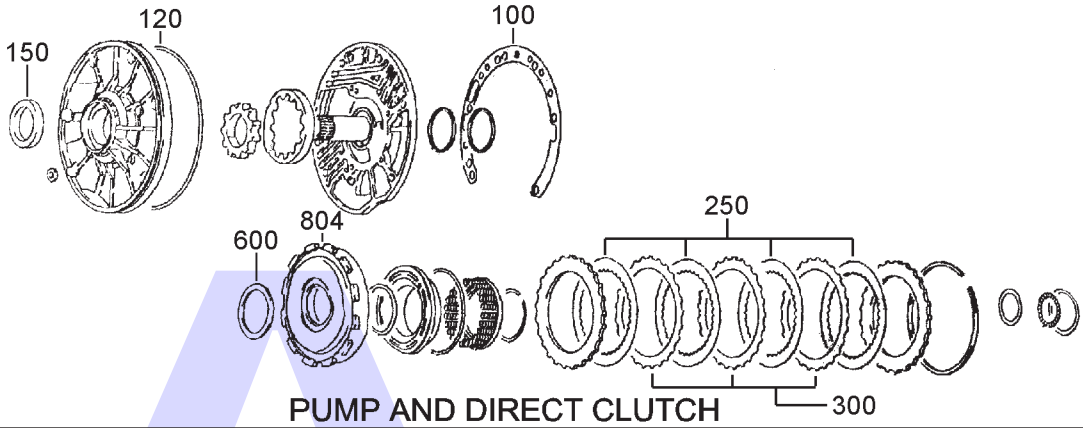


AUTOMATIC CHOICE



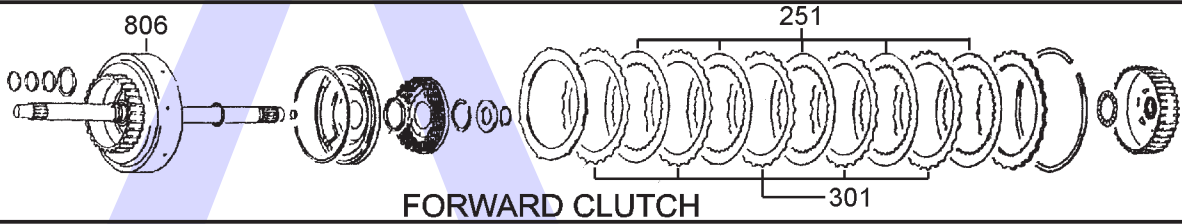
THE AUTOMATIC TRANSMISSION PARTS WAREHOUSE

A



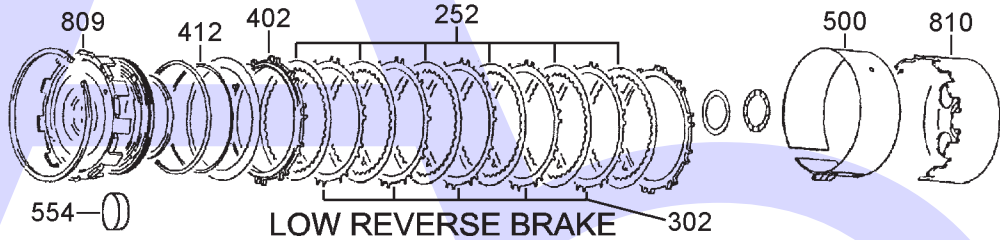
PUMP AND DIRECT CLUTCH

B



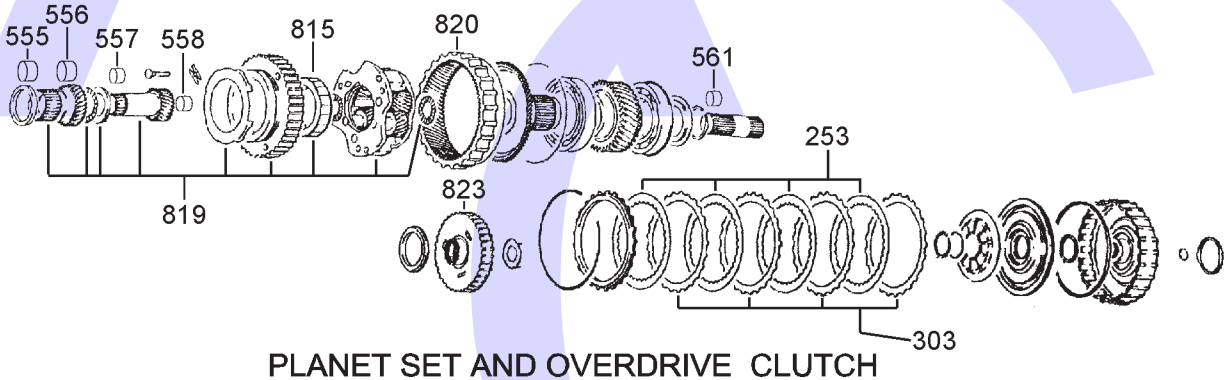
FORWARD CLUTCH

C



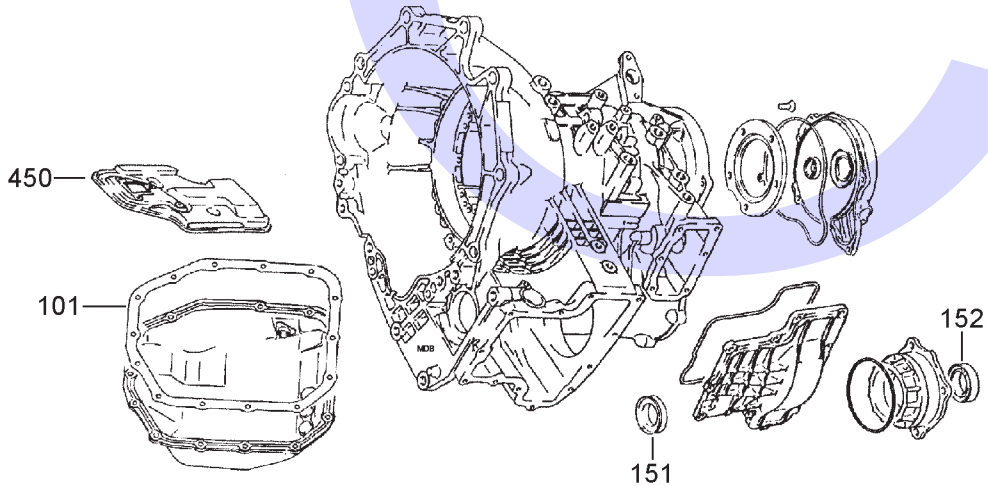
LOW REVERSE BRAKE

D



PLANET SET AND OVERDRIVE CLUTCH

E



CASE AND PAN

MITSUBISHI W4A-32, F/W4A33-1, F4A33-EV 4 SPEED FWD With Lock Up (Electronic Control)



AUTOMATIC CHOICE



THE AUTOMATIC TRANSMISSION PARTS WAREHOUSE

ILL NO.	DESCRIPTION	YEARS	QTY	PART NO
KITS				
Kit	Overhaul F4A33, W4A32/33 Transmission Only (Transtec) ...	91-ON	1	KM177.OHK02
Kit	Overhaul F4A33-1 2WD (Precision)	91-ON	1	F4A33.OHK51
Kit	Overhaul W4A33-1 AWD (Precision)	91-ON	1	W4A33.OHK51
Kit	Overhaul W4A33-1 AWD (Precision) With Viton Seals	91-ON	1	W4A33.OHK52
Kit	Overhaul Transfer Case (Transtec) W4A32, W4A33	91-ON	1	KM177.OHK04
GASKETS				
100A	Pump Gasket	91-ON	1	KM177.GAS07
101E	Pan Gasket F/W4A32/33 (14 Bolt Holes)	91-ON	1	KM177.GAS02
RUBBER COMPONENTS				
Kit	Overdrive Repair Kit F/W4A32/33 Contains All Rubber Components & Overdrive Bolts Required for Overdrive Repair (Transtec)	91-ON	1	KM177.ORK02
Kit	Overdrive Repair Kit F/W4A32/33 Contains All Rubber Components & Overdrive Bolts Required for Overdrive Repair (Precision)	91-ON	1	KM177.ORK03
120A	Pump O Ring	91-ON	1	KM170.OR01
METAL CLAD SEALS				
150A	Front Pump Seal	91-ON	1	KM170.MCS01
151E	Drive Shaft Seal (F4A33 L/H) ...	91-ON	2	KM177.MCS03
151E	Drive Shaft Seal (W4A33 L/H)	91-ON	2	KM177.MCS04
152E	Drive Shaft Seal (F4A33 R/H) ...	91-ON	2	KM177.MCS03
SHAFT SEALING RINGS				
Kit	Sealing Ring Kit	91-ON	1	KM177.SRK01
FRICTION PLATES				
Kit	Friction Plate (W/F4A33)	91-ON	1	KM177.FRK02
Kit	Friction Plate (Alto) (W/F4A33, F4A33EV)	91-ON	1	F4A33.FRK51
Kit	Direct Clutch High Performance (Alto) (W4A33, F4A33)	91-ON	1	KM177.CK01
250A	Direct Friction (138mm x 38T x 1.70mm)	91-ON	4	KM177.FRP01
250A	Direct Friction - F4A33-EV (132mm x 36T x 1.70mm)	All	4	KM177.FRP05
250A	Direct Friction W4A32-1 (127 x 38T x 1.90mm)	93-ON	4	KM170.FRP04
251B	Forward Friction (138mm x 42T x 1.70mm)	91-ON	5	KM177.FRP02
251B	Forward Friction - F4A33-EV (132mm x 42T x 1.70mm)	All	5	KM177.FRP06
251B	Forward Friction (127 x 38T x 1.90mm Thick)	93-ON	4	KM170.FRP04

ILL NO.	DESCRIPTION	YEARS	QTY	PART NO
FRICTION PLATES Cont...				
252C	Low & Reverse Friction (157mm x 54T x 1.60mm)	91-ON	6	KM177.FRP03
252C	Low/ Rev Friction W4A32-1 (152 O.D. x 51T x 1.85mm)	93-ON	6	KM170.FRP05
253D	Overdrive Friction (123mm x 40T x 1.80mm)	91-ON	4	KM170.FRP06
Check sizes before ordering as variations may exist				
STEEL PLATES				
Kit	Steel Plate (Alto) (W4A32)	91-ON	1	W4A32.STK51
Kit	Steel Plate (W/F4A33)	91-ON	1	KM177.STK02
Kit	Steel Plate (Alto) (W/F4A33, F4A33EV)	91-ON	1	F4A33.STK51
300A	Direct Steel (104.80mm I.D. x 26T x 2.20mm)	91-ON	3	KM177.STP01
300A	Direct Steel - F4A33-EV (133mm x 24T x 2.20MM)	All	3	N.L.A.
300A	Direct Steel W4A32-1 (104.4 I.D. x 3.70mm x24T)	93-ON	3	KM170.STP02
300A	Direct Steel W4A32-1 (104.4 I.D. x 3.00mm x24T)	93-ON	3	KM170.STP06
301B	Forward Steel (111.76mm I.D. x 26T x 1.80mm)	91-ON	5	KM177.STP02
301B	Forward Steel - F4A33-EV (133mm x 24T x 1.70mm)	All	5	KM177.STP06
301B	Forward Steel W4A32-1 (104.4 I.D. x 1.80mm x 24T)	93-ON	2	KM170.STP04
302C	Low & Rev Steel (140.35mm I.D. x 20T x 1.02mm)	91-ON	5	KM177.STP03
303D	Overdrive	91-ON	3-4	KM170.STP05
Check sizes before ordering as variations may exist				
PRESSURE PLATES				
402C	Apply Plate (Low & Reverse)	91-ON	1	KM177.PP01
SPRINGS & CIRCLIPS				
412C	Cushion Spring Waved (144mm OD)	91-ON	1	KM177.DIA01
FILTERS				
450E	Filter F4A33-1	91-ON	1	KM170.FIL05
450E	Filter W4A32/W4A33	91-ON	1	KM170.FIL05
450E	Filter F4A33-1, W4A32-1, W4A33-1 (Half Plastic)	91-ON	1	KM170.FIL06
Check with data sheet at start of section as variations may exist				
BANDS				
500C	Band F/W4A32/33 (60mm)	91-ON	1	KM177.BAN02
500C	Band W4A32-1 (40mm Some) ..	91-On	1	KM170.BAN01

MITSUBISHI W4A-32, F/W4A33-1, F4A33-EV 4 SPEED FWD With Lock Up (Electronic Control)



AUTOMATIC CHOICE



THE AUTOMATIC TRANSMISSION PARTS WAREHOUSE

ILL NO.	DESCRIPTION	YEARS	QTY	PART NO
BUSHES				
Kit	Bush Kit.....	91-ON	1	KM177.BK01
NI	Pump.....	91-ON	1	KM170.BUS01
554C	Centre Support (Narrow) (42.926mm ID).....	91-ON	1	KM175.BUS05
555D	Reverse Sun Gear (Front) (28.00mm ID).....	91-ON	1	KM175.BUS04
556D	Reverse Sun Gear (Rear) (28.00mm ID).....	91-ON	1	KM175.BUS04
557D	Forward Sun gear Front (20.57mm ID).....	91-ON	1	KM175.BUS03
558D	Forward Sun gear Rear (20.57mm ID).....	91-ON	1	KM175.BUS03
561D	Overdrive Shaft (20.57mm ID).....	91-ON	1	KM175.BUS03
THRUST WASHERS & BEARINGS				
600A	Thrust WasherPump to Dir Clutch Drum Selective (3.00mm)		AR	KM170.THW04
600A	Thrust WasherPump to Dir Clutch Drum Selective (2.60mm)		AR	KM170.THW01
600A	Thrust WasherPump to Dir Clutch Drum Selective (2.20mm)		AR	KM170.THW02
600A	Thrust WasherPump to Dir Clutch Drum Selective (1.80mm)		AR	KM170.THW03
ELECTRONIC COMPONENTS				
NI	Solenoid Set (4).....	91-92	1	KM177.SOL03
NI	Lock Up Solenoid (3 Ohm).....	-92	1	KM175.SOL02
NI	Lock Up Solenoid (13 Ohm).....	93-ON	1	KM175.SOL03
VALVE BODY PARTS				
HARD PARTS				
804A	Direct Clutch Drum F4A33-1.....	91-ON	1	KM177.DRU05
806B	Turbine Shaft (419mm Long x 17mm Pilot).....	91-ON	1	KM177.SH03
809C	Centre Support F4A33-1.....	91-ON	1	KM177.SUP03
810C	Sun Shell/Kickdown Drum F4A33-1.....	91-ON	1	KM177.POT02
810C	Sun Shell/Kickdown Drum W4A32 (12 Lugs 19mm High)...	91-ON	1	KM177.POT03
815D	Low Sprag (28 Element).....	91-ON	1	KM177.OWC01
819D	Planetary Repair Set F4A33-1 (See Additional Data Sheet) ...	91-ON	1	KM177.PL03
819D	Planetary Repair Set F4A33-1 (New Less Anulus).....	91-ON	1	KM177.PL13
820D	Planetary Annulus F4A33-1 (Use With KM177.PL03 & 13)...	91-ON	1	KM177.GE01
823D	Hub Overdrive Clutch F4A33-1.....	91-ON	1	KM177.HUB02
NI	Shaft, Transmission to Transfer Box (GTO).....	91-ON	1	KM177.SH04

ILL NO.	DESCRIPTION	YEARS	QTY	PART NO
SPECIAL ITEMS				
TOOLS & MANUALS				
NI	ATSG Repair Manual (F4A33) ..			KM177.MAN03