

Punch Powertrain VT3-19/34/41/49

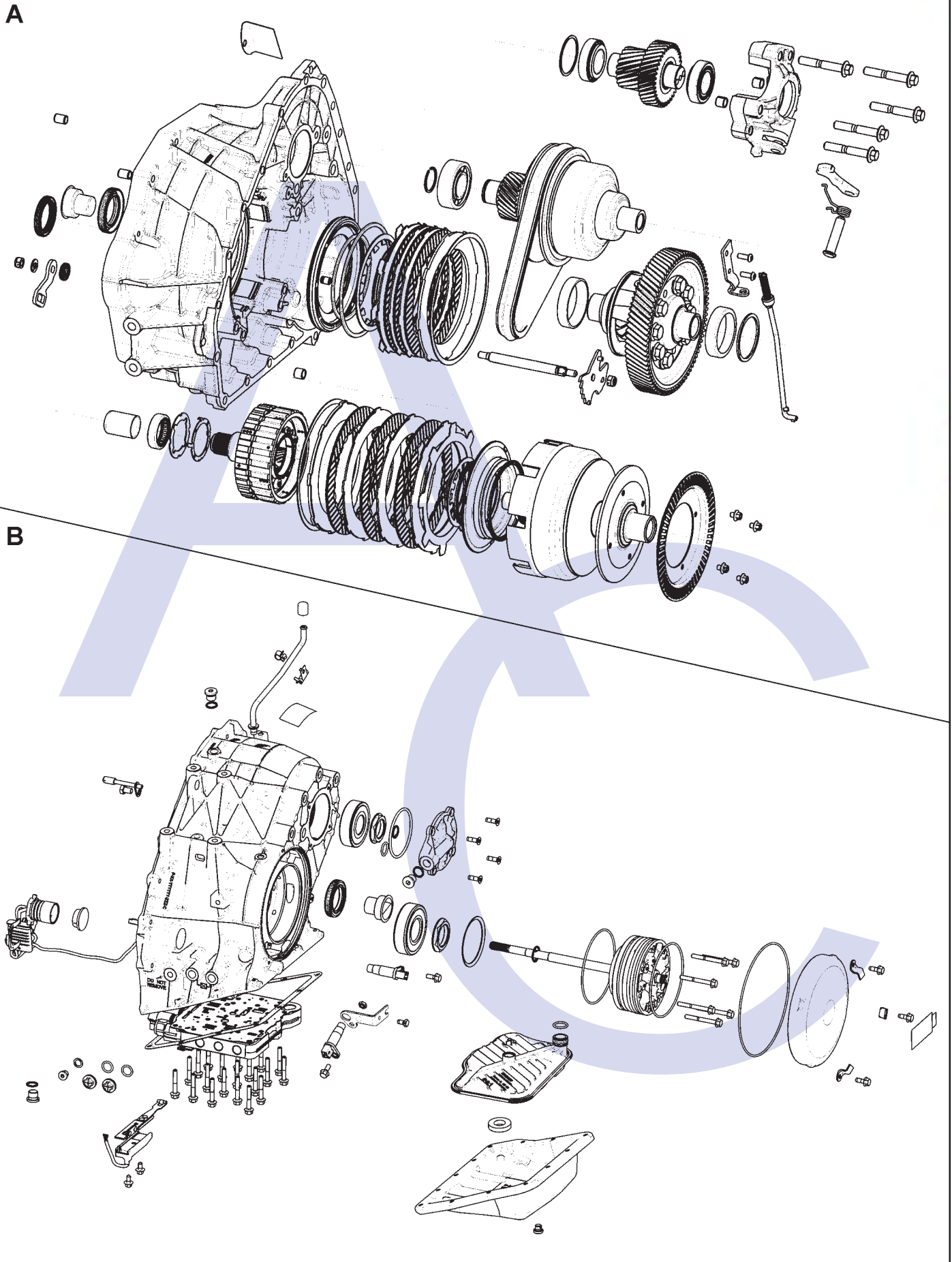
Belt Driven FWD CVT (Electronic Control)



AUTOMATIC CHOICE



THE AUTOMATIC TRANSMISSION PARTS WAREHOUSE



Revision 09/2014

Punch Powertrain VT3-19/34/41/49

Belt Driven FWD CVT (Electronic Control)



A
U
T
O
M
A
T
I
C
C
H
O
I
C
E



T
H
E
A
U
T
O
M
A
T
I
C
T
R
A
N
S
M
I
S
S
I
O
N
P
A
R
T
S
W
A
R
E
H
O
U
S
E

ILL NO.	DESCRIPTION	YEARS	QTY	PART NO
KITS				
GASKETS				
RUBBER COMPONENTS				
METAL CLAD SEALS				
MOULDED PISTONS				
SEALING RINGS				
FRICTION PLATES				
STEEL PLATES				
PRESSURE PLATES				
SPRINGS & CIRCLIPS				
FILTERS				
BANDS				
BUSHINGS				

ILL NO.	DESCRIPTION	YEARS	QTY	PART NO
THRUST WASHERS & BEARINGS				
ELECTRICAL COMPONENTS				
VALVE BODY PARTS				
HARD PARTS				
SPECIAL ITEMS				
TOOLS & MANUALS				

Punch Powertrain VT3-19/34/41/49

Belt Driven FWD CVT (Electronic Control)



A
U
T
O
M
A
T
I
C
C
H
O
I
C
E



T
H
E
A
U
T
O
M
A
T
I
C
T
R
A
N
S
M
I
S
S
I
O
N
P
A
R
T
S
W
A
R
E
H
O
U
S
E

ILL NO.	DESCRIPTION	YEARS	QTY	PART NO
--------------	-------------	-------	-----	---------

ILL NO.	DESCRIPTION	YEARS	QTY	PART NO
--------------	-------------	-------	-----	---------