

Punch Powertrain

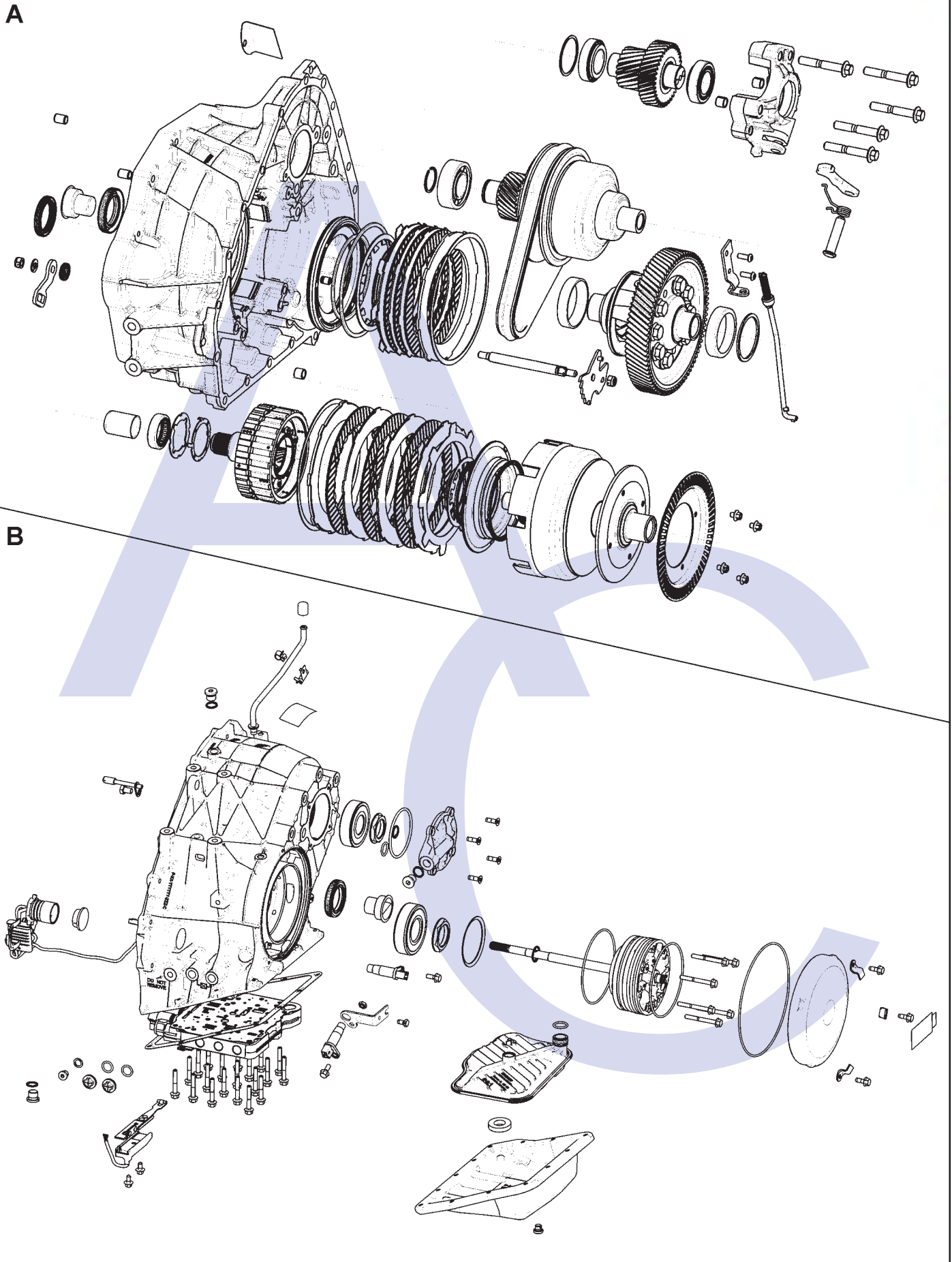
VT2-13/14/15/16/17/18/24/25/28/29/32/33/47
Belt Driven FWD CVT (Electronic Control)



AUTOMATIC CHOICE



THE AUTOMATIC TRANSMISSION PARTS WAREHOUSE



Revision 09/2014

Punch Powertrain

VT2-13/14/15/16/17/18/24/25/28/29/32/33/47
Belt Driven FWD CVT (Electronic Control)



A
U
T
O
M
A
T
I
C
C
H
O
I
C
E



T
H
E
A
U
T
O
M
A
T
I
C
T
R
A
N
S
M
I
S
S
I
O
N
P
A
R
T
S
W
A
R
E
H
O
U
S
E

ILL NO.	DESCRIPTION	YEARS	QTY	PART NO
-----------------	-------------	-------	-----	---------

ILL NO.	DESCRIPTION	YEARS	QTY	PART NO
-----------------	-------------	-------	-----	---------