

TH 700-R4 (4L60) 82-93

4 SPEED RWD (Electronic & Hydraulic Control)

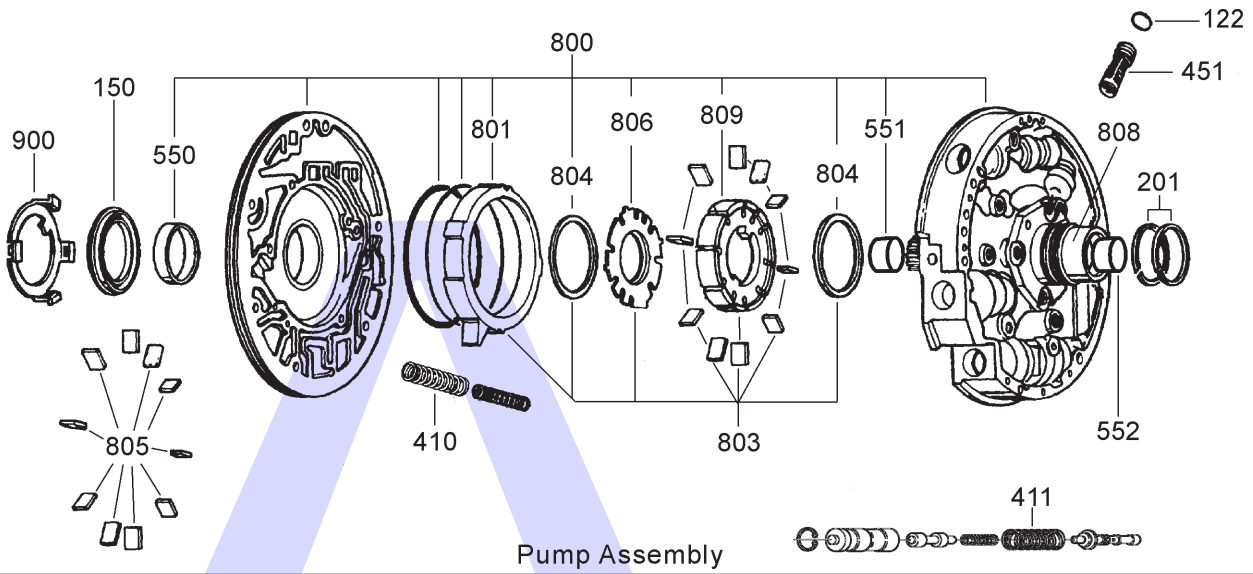


AUTOMATIC CHOICE



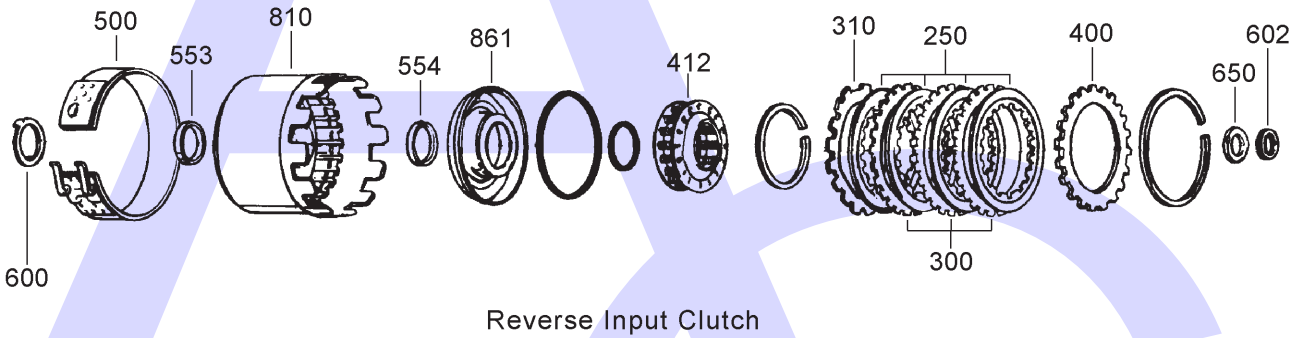
THE AUTOMATIC TRANSMISSION PARTS WAREHOUSE

A



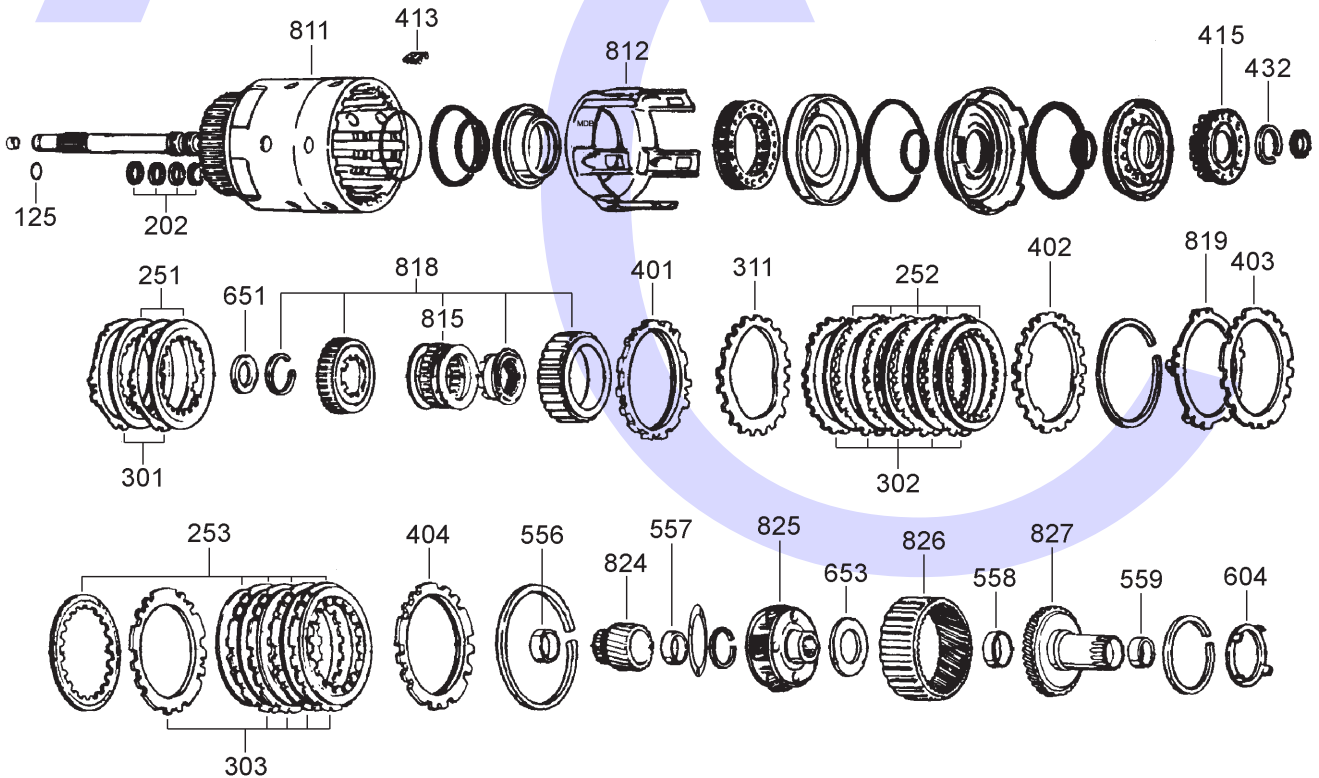
Pump Assembly

B



Reverse Input Clutch

C



Coast, Forward and 3-4 Clutch

TH 700-R4 (4L60) 82-93

4 SPEED RWD (Electronic & Hydraulic Control)

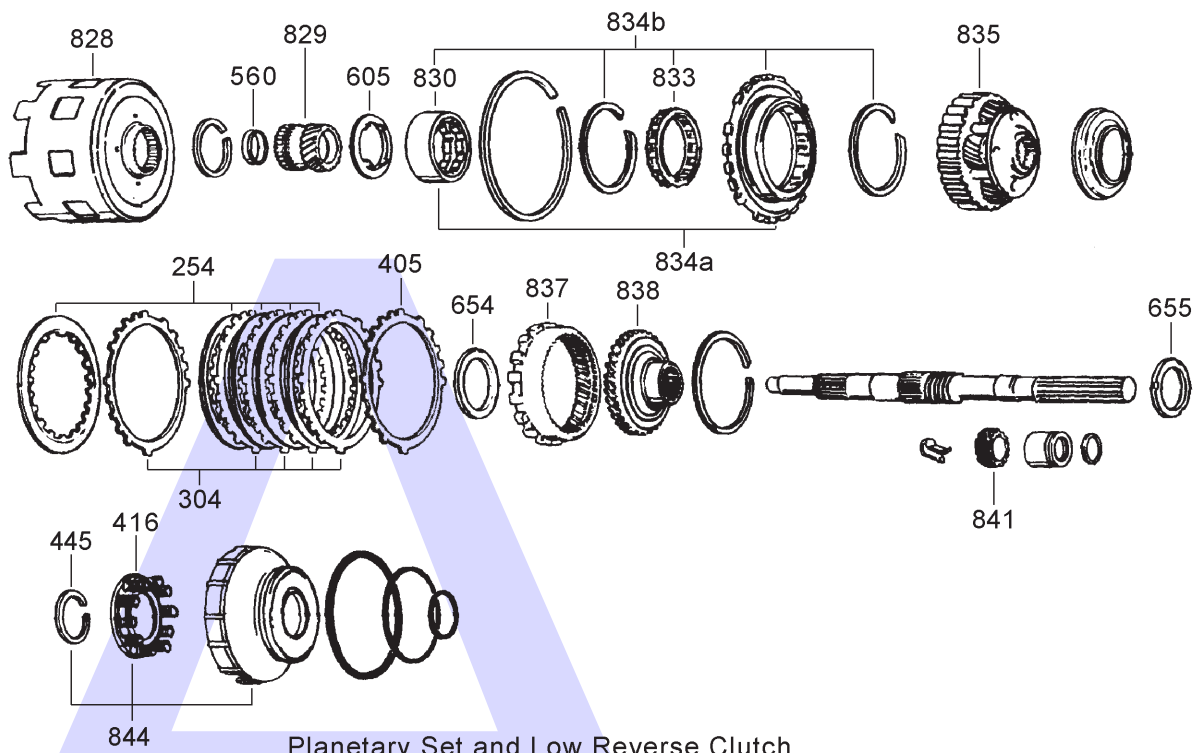


AUTOMATIC CHOICE



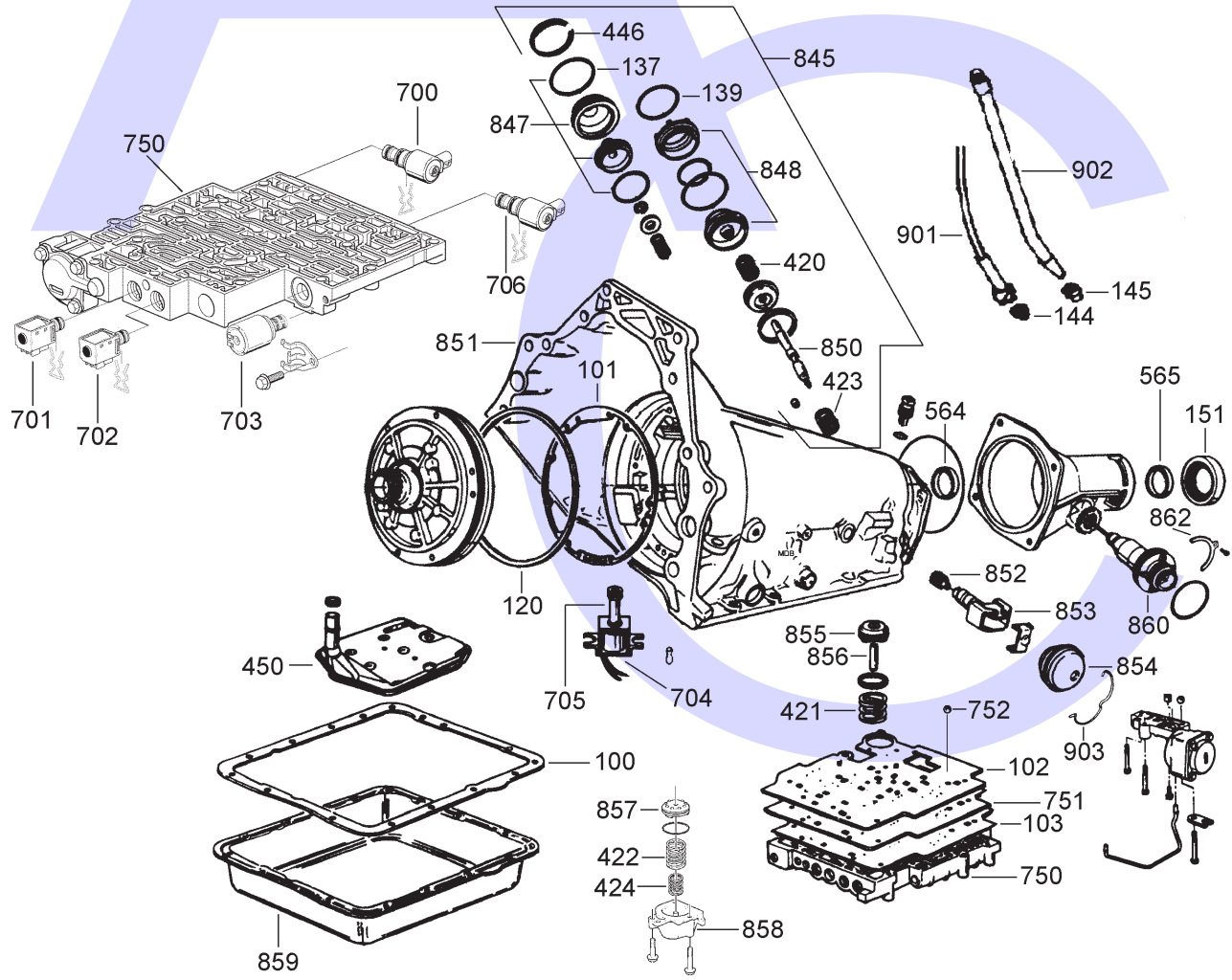
THE AUTOMATIC TRANSMISSION PARTS WAREHOUSE

D



Planetary Set and Low Reverse Clutch

E



Case, Servo and Governor

TH 700-R4 (4L60) 82-93

4 SPEED RWD (Electronic & Hydraulic Control)



AUTOMATIC CHOICE



THE AUTOMATIC TRANSMISSION PARTS WAREHOUSE

ILL NO.	DESCRIPTION	YEARS	QTY	PART NO
KITS				
Kit	Super Overhaul Kit W/O Aux Valve Body (4L60).....	85-E87	1	TH700.SOHK02
Kit	Overhaul Kit (Transtec) (4L60).....	82-93	1	TH700.OHK01
Kit	Overhaul Kit (Precision) (4L60).....	82-93	1	TH700.OHK51
Kit	Sonnax "Sure Cure" Transmission Reconditioning Kit 4L60.....	82-93	1	TH700.SCK01
GASKETS				
100E	Pan Gasket (Cork).....	82-93	1	TH700.GAS01
100E	Pan Gasket (Fibre).....	82-93	1	TH700.GAS10
101E	Front Pump to Case Gasket	82-E83	1	TH700.GAS03
101E	Front Pump to Case Gasket	L83-ON	1	TH700.GAS02
102E	Upper Valve Body 4L60	82-86	1	TH700.GAS06
102E	Upper Valve Body 4L60	87-93	1	TH700.GAS07
103E	Lower Valve Body 4L60	82-86	1	TH700.GAS04
103E	Lower Valve Body 4L60	87-93	1	TH700.GAS05
<i>Main Case to Transfer Box Gasket see Appropriate Transfer Box Section</i>				
RUBBER COMPONENTS				
Kit	Replacement Seal Kit for Sonnax 4th Gear "Super Hold" Servo (TH700.ACC11)	82-93	1	TH700.SRK05
120E	Pump to Case Lathe Cut Seal ..	82-93	1	TH400.SQR01
122A	Pump Screen 'O' Ring.....	82-93	1	DPO.OR08
125C	Turbine Shaft 'O' Ring (Green Coated).....	82-93	1	TH125.OR01
137E	O-Ring, Servo Cover (Outer Blue)	82-93	1	TH700.OR01
139E	O-Ring, Servo Cover (Inner Red).....	82-93	1	TH700.OR03
144E	Detent Cable Rubber Boot.....	82-93	1	TH200.RUB01
145E	Filler Tube to Case Multi Lip Seal (Replaces O Ring)	82-93	1	TH125.LIP03
NI	'O' Ring, Pump Bolt.....	L86-93	7	TH700.OR02
NI	2nd Apply Servo Saver Seal (Sonnax®, 5 per bag)	82-93		4L60E.SL01
NI	Servo Pisto Bore Seal.....	82-93	1	4L60E.MCS05
METAL CLAD SEALS				
150A	Front Pump Seal.....	82-93	1	TH700.MCS01
151E	Extension Housing.....	82-93	1	TH180.MCS02
NI	Selector Shaft	82-93	1	TH180.MCS03
MOULDED PISTONS				
SEALING RINGS				
Kit	Sealing Ring Kit (Combo Kit)	82-ON	1	TH700.SRK01
201A	Stator Support Rear (Scarf CutTeflon®)	82-93	2	TH700.SSR02
202C	Turbine Shaft Sealing Ring (Solid Teflon®)	82-93	4	TH700.SSR01

ILL NO.	DESCRIPTION	YEARS	QTY	PART NO
FRICITION & STEEL KITS				
Kit	Friction & Steel Plate, Full Kit (Alto) (High Perf with PowerPack®) ...	87-ON	1	TH700.FRK66
Kit	Friction & Steel Plate (Alto) (High Perf Red Eagle®)	82-84	1	TH700.CK60
Kit	Friction & Steel Plate (Alto) (High Perf Red Eagle®)	84-E87	1	TH700.CK61
Kit	Friction & Steel Plate (Alto) (H.Perf With 3-4 Powerpack)	84-E87	1	TH700.CK62
Kit	3rd & 4th Clutch Hi Performance Kit (Borg Warner) With Friction & Steel Plates	82-ON	1	TH700.CK01
Kit	3rd & 4th Clutch Improver Kit (Alto) With Friction & Steel Plates	82-ON	1	TH700.CK02
Kit	3rd & 4th Clutch Hi Performance Kit (Alto) With Friction & Steel Plates	82-ON	1	TH700.CK03
Kit	Friction & Steel Kit, 3/4 Clutch Z Pak (7 Friction, 7 Steel Kit & 2 Press. Plates) (Raybestos®)	82-ON	1	TH700.CK04
FRICITION PLATES				
Kit	Friction Plate (4L60).....	82-86	1	TH700.FRK03
Kit	Friction Plate (4L60) (Alto)	85-E87	1	TH700.FRK51
Kit	Friction Plate (4L60) (Without 4th Clutch)	82-86	1	TH700.FRK04
Kit	Friction Plate (4L60/4L60E)	87-ON	1	TH700.FRK01
Kit	Friction Plate (4L60/4L60E) (Alto With Heg Frictions)	87-ON	1	TH700.FRK62
Kit	Friction Plate (4L60) (Alto)	82-84	1	TH700.FRK54
Kit	Friction Plate (4L60) (Alto)	85-93	1	TH700.FRK53
Kit	Friction Plate (4L60) (Alto) (With Heg Frictions)	85-93	1	TH700.FRK63
Kit	Friction Plate (Without 4th Clutch)	87-93	1	TH700.FRK02
250B	Reverse Input (153mm OD x 2.00mm x 41T) ..	82-E87	4	TH700.FRP02
250B	Reverse Input (153mm OD x 1.80mm x 41T) ..	L87-93	4	TH700.FRP07
251C	Overrun Clutch (128mm OD x 2.00mm x 36T)....	82-93	2	TH700.FRP03
252C	Forward Clutch (135mm OD x 2.00mm x 41T) ..	82-E85	5	TH700.FRP04
252C	Forward Clutch (135mm OD x 1.75mm x 41T) ..	L85-93	5	TH700.FRP06
253C	3rd & 4th Clutch 4L60 (146mm OD x 2.00mm x 20T) ..	82-93	6	TH700.FRP05
253C	3rd & 4th Clutch Hi Capacity (146mm OD x 1.60mm x 20T) ..	82-93	AR	TH700.FRP08
253C	3rd & 4th Clutch Hi Energy (146mm OD x 2.00mm x 20T) ..	82-93	6	TH700.FRP10
254D	Low & Reverse Brake (164mm OD x 2.20mm x 25T) ..	82-93	5	TH350.FRP05
STEEL PLATES				
Kit	Steel Plate 4L60.....	82-86	1	TH700.STK03
Kit	Steel Plate 4L60 (Alto)	82-84	1	TH700.STK53
Kit	Steel Plate 4L60 (Alto)	85-E87	1	TH700.STK51
Kit	Steel Plate 4L60 (Without 4th Clutch)	82-86	1	TH700.STK04
Kit	Steel Plate 4L60.....	87-93	1	TH700.STK01
Kit	Steel Plate 4L60 (Alto)	85-92	1	TH700.STK52
Kit	Steel Plate 4L60 (Without 4th Clutch)	87-93	1	TH700.STK02
Kit	3rd & 4th Clutch Improver Kit (Borg Warner)	82-93	1	TH700.CK01
Kit	3rd & 4th Clutch Improver Kit (Alto)	82-93	1	TH700.CK02

TH 700-R4 (4L60) 82-93

4 SPEED RWD (Electronic & Hydraulic Control)



AUTOMATIC CHOICE



THE AUTOMATIC TRANSMISSION PARTS WAREHOUSE

ILL NO.	DESCRIPTION	YEARS	QTY	PART NO
STEEL PLATES Cont...				
300B	Reverse Input (129mm ID x 2.00mm x 36T)	82-93	3	TH700.STP01
300B	Reverse Input Oversize (Alto) (129mm ID x 2.28mm x 36T)	82-93	AR	TH700.STP15
301C	Overrun Clutch (108mm ID x 2.30mm x 10T)	82-93	2	TH700.STP11
302C	Forward Flat 4L60 (108mm ID x 2.00mm x 20T)	82-84	4	TH700.STP02
302C	Forward Flat 4L60/4L60E (108mm ID x 2.30mm x 20T) -	85-93	4-5	TH700.STP03
303C	3rd & 4th Clutch (127mm ID x 1.93mm x 20T)	82-1/93	5	TH700.STP09
303C	3rd & 4th Clutch (Alto) (127mm ID x 1.93mm x 20T)	82-1/93	5	TH700.STP14
303C	3rd & 4th Clutch (Use With TH700.FRP08) (127mm ID x 1.50mm x 20T)	82-4/93	AR	TH700.STP10
304D	Low & Reverse (145mm ID x 1.73mm x 17T)	82-93	5	TH350.STP03
310B	Rev Input Waved 4L60 (129mm ID x 2.00mm x 36T)	82-E87	1	TH700.STP06
310B	Rev Input Waved 4L60 (Alto) (129mm ID x 2.00mm x 36T)	84-87	1	TH700.STP17
310B	Rev Input Dished (129mm ID x 1.30mm x 36T)	L87-93	1	TH700.STP08
310B	Rev Input Dished (129mm ID x 1.80mm x 36T)	L87-93	1	4L60E.STP05
310B	Rev Input Dished (129mm ID x 2.20mm x 36T)	L87-93	1	TH700.STP07
311C	Forward Waved (108mm ID x 1.80mm x 20T)	84-93	1	TH700.STP04
PRESSURE & SPACER PLATES				
400B	Reverse Input Clutch (6.7-6.9mm)	82-93	1	TH700.PP15
401C	Apply Plate, Forward Clutch (6.44mm) 4L60	82-86	1	TH700.PP07
401C	Apply Plate, Forward Clutch 4L60 (1.95mm)	82-93	1	TH700.PP06
401C	Apply Plate, Forward Clutch (4.32mm)	87-93	1	TH700.PP08
402C	Forward Clutch (5.87mm)	82-93	1	TH700.PP16
402C	Forward Clutch (6.43mm)	82-93	1	TH700.PP14
403C	Apply Plate, 3/4 Clutch (3.30mm Flat)	82-93	1	TH700.PP04
403C	Apply Plate, 3/4 Clutch (4.00mm Bevelled)	87-93	1	TH700.PP05
404C	3/4 Clutch 4L60 (5.00mm - 5.25mm Cast# 3)	82-93	1	TH700.PP01
404C	3/4 Clutch (5.65mm)	82-93	1	TH700.PP11
404C	3/4 Clutch (6.0-6.25mm Cast# 2)	82-93	1	TH700.PP12
404C	3/4 Clutch (7.0-7.25mm Cast# 1)	82-93	1	TH700.PP13
405D	Spacer Plate, Low/ Rev Brake (1.25mm Thick)	82-93	1	TH700.PP02
405D	Spacer Plate, Low/ Rev Brake (2.26mm Thick)	82-93	1	TH700.PP03
405D	Spacer Plate, Low/ Rev Brake (2.46mm Thick)	82-93	1	TH700.PP18
405D	Spacer Plate, Low/ Rev Brake (3.17mm Thick)	82-93	1	TH700.PP19

ILL NO.	DESCRIPTION	YEARS	QTY	PART NO
SPRINGS & CIRCLIPS				
Kit	Circlip Set (All Circlips)	82-93	1	TH700.CIR10
410A	Pump Slide Spring, High Output (Sonnax®, Replaces 2 OEM Springs) (5 Per Pack)	82-93	1	TH700.SPR04
411A	Standard Pressure Regulator Spring (OEM Pink)	82-93	1	TH700.SPR11
411A	Elevated Pressure Regulator Spring (Sonnax® Click here for Info) ...	82-93	1	TH700.SPR10
NI	Spacer, Pump Slide Spring (Performance) (Sonnax® Click here for Info) ...	82-93	1	4L60E.SP01
NI	Spring, Fits Under Slide Pin	82-93	1	TH700.PUM24
412B	Piston Return Spring, Reverse Input	82-93	1	TH700.SPR12
413C	Release Spring Assyembly 3-4 Clutch Load	82-93	5	TH700.SPR09
416D	Return Spring Assembly Low & Reverse Clutch	82-93	1	TH700.SPR06
420E	Cushion Spring, Servo Apply Pin	82-93	1	TH700.SPR03
421E	3-4 Accumulator Spring (Purple 5 Pack) (Sonnax® Click here for Info) ...	82-93	1	4L60E.SPR02
421E	Performance 3-4 Accumulator Spring (Sonnax)	82-93	1	TH700.ACC13
422E	Spring, 1-2 Accumulator (Purple) Outer	82-93	1	TH700.ACC03
422E	1-2 Accumulator Spring (Purple 5 Pack) (Sonnax® Click here for Info) ...	82-93	1	4L60E.SPR02
422E	Spring, 1-2 Accumulator (Red) Outer	82-93	1	TH700.ACC04
422E	Spring, 1-2 Accumulator (White) Outer	82-93	1	TH700.ACC05
422E	Spring, 1-2 Accumulator (Orange, Cone Shaped) Outer ..	82-93	1	TH700.ACC06
422E	Spring, 1-2 Accumulator (Yellow) Outer	82-93	1	TH700.ACC07
422E	Spring, 1-2 Accumulator (Green) Outer	82-93	1	TH700.ACC08
422E	Spring, 1-2 Accumulator (No Colour) Outer	82-93	1	TH700.ACC09
422E	Performance 1-2 Accumulator Spring (Sonnax)	82-93	1	TH700.ACC13
423E	Return Spring, Band Apply Servo (Silver 30mm Dia x 25mm Long 3 Coils)	82-93	1	TH700.SPR07
424E	Spring, 1-2 Accumulator (No Colour) Inner	82-93	1	TH700.ACC21
NI	Release Spring Assembly, 3-4 Clutch Load	82-93	1	TH700.SPR01
NI	TV Helper Spring 4L60	82-93	1	TH700.SPR02
445D	Circlip, Low & Reverse Clutch Spring Retainer	82-93	1	TH700.CIR01
446E	Circlip 2-4 Servo Cover	82-93	1	4L60E.CIR03
FILTERS				
450E	Filter	82-86	1	TH2004R.FIL01
450E	Filter (Retro's All Early)	87-93	1	TH700.FIL01
451A	Screen, Pump 4L60	82-93	1	TH700.FIL03
NI	Governor & TCC Screen 4L60 (Fit in Casing Under V.B)	82-93	2	TH700.FIL02
BANDS				
500B	Second & Fourth Band (2 Tang) Retros All	82-93	1	TH700.BAN01

TH 700-R4 (4L60) 82-93

4 SPEED RWD (Electronic & Hydraulic Control)



AUTOMATIC CHOICE

ILL NO.	DESCRIPTION	YEARS	QTY	PART NO
BANDS Cont...				
500B	Second & Fourth Band (Extra Wide 66.67mm).....	82-93	1	TH700.BAN02
500B	Second & Fourth Band (Wide With Carbon Lining).....	82-93	1	TH700.BAN03
500B	Second & Fourth Band (Wide High Energy Lining).....	82-93	1	TH700.BAN04
500B	Second & Fourth Band (Alto) (Heavy Duty Red Lining).....	82-93	1	TH700.BAN05
BUSHES				
Kit	Bush Kit (30 Spline).....	82-93	1	TH700.BK01
Kit	Stator Bushings.....	82-93	1	TH700.BUS15
550A	Front Pump Bush (Babbitt).....	82-93	1	TH700.BUS01
550A	Front Pump Bush (Dura Life)....	82-93	1	TH700.BUS03
550A	Front Pump (PTFE Lined) (Sonnax® Click Here for Info)... ..	82-93	1	POWER.BUS07
551A	Stator (Front) 22.86mm ID.....	82-E84	1	TH700.BUS11
551A	Stator (Front) 25.40mm ID.....	L84-93	1	TH700.BUS06
552A	Stator (Rear) 11mm Wide.....	82-91	1	TH700.BUS04
553B	Reverse Input Housing (Front)...	82-93	1	TH700.BUS12
554B	Reverse Input Housing (Rear) ..	82-93	1	TH700.BUS13
556C	Input Sun Gear (Front).....	82-93	1	TH700.BUS07
557C	Input Sun Gear (Rear).....	82-93	1	TH700.BUS07
558C	Reaction Carrier Shaft (Front)...	82-93	1	TH700.BUS08
559C	Reaction Carrier Shaft (Rear) ...	82-93	1	TH700.BUS09
560D	Reaction Sun Gear.....	82-93	1	TH700.BUS10
560D	Reaction Sun Gear (Wide) (Sonnax).....	82-93	1	TH700.BUS14
564E	Case (Durabond, Babbitt).....	82-93	1	TH350.BUS13
564E	Case Bronze.....	82-93	1	TH700.BUS05
564E	Case Oversize (Sonnax).....	82-93	1	4L60E.BUS10
565E	Extension Housing Babbitt.....	82-93	1	TH700.BUS02
565E	Extension Housing (Teflon Coated).....	82-93	1	4L60E.BUS09
NI	Cross Shaft Linkage Bush.....	82-93	1	4L60E.BUS01
THRUST WASHERS & BEARINGS				
Kit	Thrust Washer Kit.....	82-93	1	TH700.TWK01
Kit	Thrust Bearing Kit.....	82-93	1	TH700.TWK02
Kit	End Play Shim Kit (Sonnax Contains 10 x 0.38mm Shims for Adjusting Front End Play).....	82-93	AR	TH700.TWK03
Kit	End Play Shim Kit (Sonnax Contains 10 x 0.254mm Shims for Adjusting Rear Unit End Play).....	82-93	AR	TH700.TWK04
600B	Pump to Reverse Drum.....	82-93	1	TH700.THW01
604C	Reaction Shaft to Shell (Brass). ..	82-93	1	TH700.THW14
605D	Rear One Way Clutch Race To Driving Shell Washer.....	82-93	1	TH700.THW19
605D	Rear One Way Clutch Race To Driving Shell Washer (The Beast).....	82-93	1	TH700.THW03
650B	Stator Support to Input Drum Bearing.....	82-93	1	TH700.THW02
651C	Input Drum to Sun Gear.....	82-93	1	TH700.THW11
653C	Input Carrier to Reaction Shaft Bearing.....	82-93	1	TH700.THW18
654D	Rear Planet to Support.....	82-93	1	TH700.THW16
655D	Reaction Gear Support To Case Bearing.....	82-93	1	TH700.THW18
ELECTRICAL COMPONENTS				
704E	Solenoid, TCC Type 9 (Orange) (4L60).....	82-93	1	TH700.SOL04
704E	Solenoid, TCC Universal (Teckpack).....	82-93	1	TH700.SOL03

ILL NO.	DESCRIPTION	YEARS	QTY	PART NO
ELECTRICAL COMPONENTS Cont...				
705E	Replacement TCC Solenoid Snout (Aluminium Non PWM Sonnax)	82-93	1	TH700.SOL05
Kit	Switch, 4th Gear Lock-Up Delay Kits (Superior®).....	82-93	1	TH700.ELE10
NI	Switch, 4th Gear Pressure 4L60 1 Prong.....	82-93	1	TH700.ELE02
NI	Switch, TCC Signal 4L60 (1 Prong) (Normally Open).....	82-93	1	TH700.ELE03
NI	Switch, 4-3 Pulse 4L60 (On Valve Body, 2 Prong) (Normally Closed).....	82-93	1	TH700.ELE04
NI	Switch, Temperature 4L60.....	82-93	1	TH700.ELE07
NI	Case Connector (3 Prong).....	82-93	1	TH700.ELE09
NI	Universal Connector, 4 Pin Square can be Used in Place of 2 and 3 Pin Case Connector.....	82-93	1	TH400.ELE02
VALVE BODY PARTS				
751E	Plate, Valve Body (Stamp # BV) (All "B" Series Interchange).....	88-91	1	TH700.VBP01
751E	Plate, Valve Body (Stamp # BY) (All "B" Series Interchange).....	88-91	1	TH700.VB12
751E	Plate, Valve Body (Universal - Replaces All 4L60/700-R4's) (Transgo).....	82-93	1	TH700.VB16
752E	Valve Body Check Ball.....	82-93	AR	TH700.BALL01
Kit	Valve Body Shift Kit®, 4L60 (Transgo Senior).....	82-93	1	TH700.SK01
Kit	Valve Body Shift Kit®, 4L60 (Transgo Junior).....	82-93	1	TH700.SK02
Kit	Reprogramming Kit™, 700-R4 Hi-Perf & HD Automatic or Manual Shift (Transgo®).....	82-93	1	TH700.SK03
Kit	Upshift Sleeve, (Superior) (Full Throttle 3-4 Upshift) 4L60	82-93	1	TH700.VA18
Kit	TH700/4L60 Hydraulic Lock Up (Superior).....	82-93	1	TH700.VA19
Kit	Kit, Lock-up In 4th Gear Only (In Valve Body) 4L60 (2 Valves, 1 Sleeve, 1 Spring)...	82-93	1	TH700.VA01
Kit	Pressure Regulator Valve Kit (Sonnax) 4L60E (Requires TH700.TOOL01).....	82-93	1	TH700.VA03
Kit	Throttle Valve & Plunger Kit (Sonnax) 4L60 "93".....	82-93	1	TH700.VA14
Kit	Throttle Valve & Plunger Kit (Sonnax) 4L60 "94".....	82-93	1	TH700.VA13
Kit	Throttle Valve & Plunger Kit (Sonnax) High Performance 4L60.....	82-93	1	TH700.VA15
Kit	Throttle Boost Valve & Sleeve Kit (Sonnax) 10.744mm Dia.....	82-93	1	TH700.VA17
Kit	Check Ball Repair Kit, Fixes 5 Valve Body Plate Holes Most w/ 1/4" Check Balls.....	82-93	1	TH700.VB11
Kit	Oversized Accumulator Pin & Reamer Kit 4L60 (Sonnax)....	82-93	1	TH700.TOOL03
Kit	4-3 Sequence Valve Kit (TH700) (Sonnax™).....	82-93	1	TH700.VA21
Kit	Oversized Throttle Valve 4L60 (Sonnax, Requires Reamer (TH700.TOOL05).....	82-93	1	TH700.VA16
Kit	Reamer For TH700.VA16.....	82-93	1	TH700.TOOL05
NI	Pinless Forward Accumulator Piston (Sonnax®).....	82-93	1	TH700.ACC16
NI	Forward Accumulator Piston (Aluminium to Replace Plastic). ..	82-93	1	TH700.ACC17



THE AUTOMATIC TRANSMISSION PARTS WAREHOUSE

TH 700-R4 (4L60) 82-93

4 SPEED RWD (Electronic & Hydraulic Control)



AUTOMATIC CHOICE



THE AUTOMATIC TRANSMISSION PARTS WAREHOUSE

ILL NO.	DESCRIPTION	YEARS	QTY	PART NO
VALVE BODY PARTS Cont...				
NI	TV Helper Spring 4L60	82-93	1	TH700.SPR02
NI	Reverse Boost Valve ('O' Ring Type Sonnax)	82-93	1	TH700.VA02
NI	TCC Apply Valve (Sonnax) (4L60 & 4L60E Non PWM)	82-93	1	TH700.VA04
NI	Throttle Boost Valve 4L60 (11.963mm Dia (Sonnax))	82-93	1	TH700.VA05
NI	Throttle Boost Valve 4L60 (12.70mm Dia (Sonnax))	82-93	1	TH700.VA06
NI	Accumulator Valve Train Assy (8.00mm Dia Light Vehicles) (Sonnax)	82-93	1	TH700.VA07
NI	Accumulator Valve Train Assy (8.382mm Dia Medium Vehicles) (Sonnax)	82-93	1	TH700.VA08
NI	Accumulator Valve Train Assy (8.661mm Dia Heavy Vehicles) (Sonnax)	82-93	1	TH700.VA09
NI	Check Valve 3rd Accumulator (OEM) (Can be used with TH700.VA12)	82-93	1	TH700.VA10
Kit	Check Valve, Servo Release Use with EO Check Valve TH700.VA10) (Sonnax@ Click here for Info)	82-93	1	TH700.VA12
NI	Plate Saver, (Inserts Between Accumulator Cover to Valve Body Plate)	82-93	1	TH700.VB10
NI	Valve & Bushing Assembly (TransGo@ Click Here for Info)	82-93	1	TH700.VA22
Kit	Line Pressure Booster Kit (TH700 R4, 4L60) (Sonnax@ Click here for Info)	83-87	1	TH700.VA23
Kit	Lock-Up Valve Kit (TH700 R4, 4L60) (TransGo@ Click Here for Info)	83-87	1	TH700.VA24
HARD PARTS				
800A	Pump, Small (22.86mm) Input Shaft (Stator Cast # 031 or 025) (Body Cast # 380) 4L60	82-E84	1	TH700.PUM01
800A	Pump, Large (25.40mm) Input Shaft (Non Auxiliary Type) (Stator Cast # 025, 031, 304, or 570) (Body Cast # 132, 303, 380, or 732) (025 & 031 Stator Fits 380 Body) (570 & 304 Stator Fits 132,303,732 Body)	L84-03/87	1	TH700.PUM05
800A	Pump, Large Input Shaft (Auxiliary Valve Body Type) (Stator Cast # 570, 596, 612, or 828) (Body Cast # 132, 303, or 732)	04/87-93	1	TH700.PUM07
802A	Rotor Kit, 10 Vane (17.95mm Rotor) (Heavy Duty)	82-93	1	TH700.PUM02
804A	Ring, Pump Rotor to Vane (Black Steel)	82-93	2	TH700.PUM03
805A	Vane Kit (Package of 10)	82-93	1	TH700.PUM09
805A	Vane Kit (Package of 13)	82-93	1	TH700.PUM08
806A	Rotor Guide, 7 Vane 4L60	82-93	1	TH700.PUM12
806A	Rotor Guide, 10 Vane	82-93	1	TH700.PUM16
807A	Vane & Ring Kit, (10 Vane, Heavy Duty)	82-93	1	TH700.PUM13
808A	Stator Support Shaft (Sonnax) (298mm Converter)	82-93	1	TH700.PUM14
809A	Rotor, 10 Vane	82-93	1	TH700.PUM15
NI	Pin, Pump Slide Pivot (Sonnax)	82-ON	1	TH700.PUM17

ILL NO.	DESCRIPTION	YEARS	QTY	PART NO
HARD PARTS Cont...				
810B	Reverse Input (w/ Check Ball) (Steel)	82-02/87	1	TH700.DRU01
810B	Reverse Input (No Check Ball) (Has Round Oil Holes In Bore)	03/87-93	1	TH700.DRU02
810B	Drum, Reverse Input (No Check Ball) (Large Feed Hole)	3/87-93	1	4L60E.DRU01
810B	Drum Assy, Reverse Input (Replacement Kit)	82-93	1	TH700.DRU04
811C	Input & Shaft w/ Pilot, (Exc 2.8L or 4 Cyl) (298mm/ 30 Spl Converter)	87-93	1	TH700.DRU03
811C	Input Housing Kit with Heavy Duty Input Shaft (298mm/ 30 Spl Converter) (Sonnax@ Click Here for Info)	87-93	1	4L60E.DRU05
811C	Input & Shaft no Pilot, (2.8L & 4 Cyl) (245mm/ 27 Spl Converter)	82-93	1	TH700.DRU06
812C	Apply Ring, 3-4 Clutch (5 Fingers) Kit Input Drum Reinforcement Sleeve, Seal & Piston Kit (Sonnax@ Click Here for Info)	82-ON	1	4L60E.PIS06
815C	Forward Sprag (26 Element)	L82-86	1	TH180.OWC01
815C	Sprag, Forward Clutch (29 Elements, Dual Cage)	87-93	1	TH700.OWC04
818C	Sprag Assembly, Forward Clutch (29 Elements, Includes Sprag)	87-93	1	TH700.OWC16
819C	Retainer, 3-4 Clutch 4 Tab (Tin) 4L60	82-93	1	TH700.RET04
824C	Sun Gear, Input (Front)	L82-93	1	TH700.SUN01
825C	Front Planetary (w/ Batwing Washers) (4 Pinion)	82-93	1	TH700.PL01
825C	Front Planetary (5 Pinion, Retro Fits All)	82-93	1	TH700.PL12
826C	Ring Gear, Front Planet (34.92mm Long Clutch Spline)	82-93	1	TH700.PL07
827C	Hub w/ Shaft, Reaction Carrier (4L60)	82-93	1	TH700.PL03
828D	Shell, Reaction Sun (Std) (Washer Type)	82-93	1	TH700.POT01
828D	Shell, Reaction Sun (Hardened) (Washer Type)	82-93	1	TH700.POT02
829D	Sun Gear, Reaction (Rear)	82-93	1	TH700.SUN02
830D	Inner Race, Low/Rev OWC	86-93	1	TH700.OWC05
833D	Sprag, Low/ Reverse (Wide Plastic Cage)	82-86	1	TH350.OWC01
833D	Sprag, Low/ Reverse (Wide Plastic Cage)	86-93	1	TH700.OWC01
834aD	Inner & Outer Races Low/Rev Late Wide Type	86-93	1	TH700.OWC15
834bD	Centre Support Assy Late Wide Sprag Type	86-93	1	TH700.SUP01
835D	Rear Planetary (with Bat Wing Washers & with Oil Slinger) (Can Use TH700.PL06)	82-93	1	TH700.PL05
835D	Rear Planetary (with Bat Wing Washers without Oil Slinger) (Can Use TH700.PL05)	82-93	1	TH700.PL06
835D	Rear Planetary (5 Pinion) (Retrofits)	82-93	1	TH700.PL08
NI	Repair Kit, Rear Planetary (Sonnax@ Click here for Info)	82-93	1	TH700.PL11
NI	Pinion Pins, Rear Planetary x 4 (Sonnax@ Click here for Info)	82-93	1	4L60E.PL10
837D	Ring Gear, Rear (Hardened)	82-93	1	TH700.PL02
838D	Hub, Support Internal Reaction Gear Late (Cut For Oil Slinger)	82-93	1	TH700.PL04
841D	Speedometer Drive Gear (Grey 15 Teeth)	82-93	1	TH700.GE05
841D	Reluctor Ring Speed Sensor (40Teeth)	82-93	1	TH700.GE02

TH 700-R4 (4L60) 82-93

4 SPEED RWD (Electronic & Hydraulic Control)



AUTOMATIC CHOICE



THE AUTOMATIC TRANSMISSION PARTS WAREHOUSE

ILL NO.	DESCRIPTION	YEARS	QTY	PART NO
HARD PARTS Cont...				
844D	Reverse Piston Kit (Exc 2.8).....	2/87-93	1	TH700.PIS04
845E	Servo Assembly, 2-4 (Cast D758 # 8642093) (Corvette) High Output.....	82-93	1	TH700.SER01
845E	Servo Assembly, 2-4 (Cast # 553) Medium Output.....	82-93	1	TH700.SER02
845E	Servo Assembly, 2-4 (Cast # 554) Low Output.....	82-93	1	TH700.SER03
847E	Piston Kit, 4th Servo (Super Hold) (Superior®, Super Servo)	82-93	1	TH700.SER09
847E	Piston, 4th Servo (Super Hold) (Sonnax®. Click for Info).....	82-93	1	TH700.ACC11
Kit	Replacement Seal Kit for Sonnax 4th Gear "Super Hold" Servo (TH700.ACC11)	82-93	1	TH700.SRK05
848E	2nd Gear Super Hold Servo Assy (Sonnax®).....	82-93	1	TH700.ACC19
848E	2nd Gear Small Size Servo.....	82-93	1	TH700.SER08
848E	2nd Gear Super Servo (Superior ®)	82-93	1	TH700.SER07
850E	Pin, 2nd Apply (1 Ring)	82-93	AR	TH700.PIN01
850E	Pin, 2nd Apply (2 Ring)	82-93	AR	TH700.PIN02
850E	Pin, 2nd Apply (3 Ring, & 1 Wide Band).....	82-93	AR	TH700.PIN03
851E	Main Case 4X4 TH700 R4 Non Aux V.B. (Not 2.8L or 4.3L)	82-93	1	TH700.CAS01
852E	Kit, Governor Gear 4L60.....	82-93	1	TH700.GOV01
853E	Governor, w/ 4mm Square Weight (Petrol 6 & 8 Cyl.) 4L60.....	82-93	1	TH700.GOV02
853E	Governor, w/ 4.57mm Square Weight (Diesel) 4L60.....	82-93	1	TH700.GOV03
853E	Governor, w/ 2.74mm Square Weight (Petrol 8 Cyl.) 4L60.....	82-93	1	TH700.GOV04
853E	Governor, w/ 1.5mm Pointed Weight (Z-28/Corvette) 4L60.....	82-93	1	TH700.GOV05
854E	Cover, Governor.....	82-93	1	TH700.COV01
855E	Repair Kit, 3-4 Accumulator (Repair Sleeve, Piston & Pin) (Sonnax)	82-93	1	TH700.SL01
856E	Pin & Reamer Kit 1-2 & 3-4 Accumulator (10 Pins & 1 Reamer) 4L60	82-93	AR	TH700.TOOL03
856E	Pin, 1-2 & 3-4 Accumulator (Oversize) (Requires Reamer see TH700.TOOL03) (Sonnax Pack of 4) 4L60	82-93	AR	TH700.PIN04
858E	Cover, 1-2 Accumulator (4L60).....	82-93	1	TH700.ACC15
859E	Cooler, Transmission Pan Type (Derale).....	82-93	1	TH700.PAN02
860E	Housing, Speedo Driven Gear (40 - 45 Teeth).....	82-93	1	TH700.GE03
861B	Piston, Reverse Input Clutch (Aluminium 3 Plate Units)	82-93	1	TH700.PIS01
862E	Retaining Bracket, Speedometer Gear Housing	82-93	1	TH700.RET05
NI	Piston Kit, 1-2 & 3-4 Accumulator (7.87mm Pin Dia) (Exc 2.8L).....	82-93	1	TH700.ACC02
NI	Kit, 1-2 & 3-4 Pin less Accumulator Piston (Sonnax) ...	82-93	1	TH700.ACC14
NI	Detent/Selector Shaft.....	82-93	1	4L60E.SH01
NI	Second Apply Servo Kit (Sonnax ®).....	82-93	1	TH700.SER06

ILL NO.	DESCRIPTION	YEARS	QTY	PART NO
MISCELLANEOUS COMPONENTS				
900A	Retainer, (Front Seal Lock).....	82-ON	1	TH700.RET03
901E	Throttle Cable, Universal (Fitzall)	82-93	1	TH700.CAB01
902E	Filler Tube & Dip Stick, Fitz All (Teckpak)	82-ON	1	TH700.TUB01
903E	Clip, Retaining Governor Cover (4L60).....	82-93	1	TH700.RET02
NI	'Tear Drop' Clip, Throttle Cable End.....	82-93	1	TH700.CAB03
NI	Shortened Throttle Cable Link ..	82-93	1	TH700.LIN01
NI	Capsule, Reverse Piston (Package of 10).....	82-93	AR	TH700.CAP01
NI	Throttle Cable Repair Kit.....	82-93	1	TH700.CAB04
NI	Inner Throttle Cable Repair Kit ..	82-93	1	TH700.CAB05
NI	Capsule w/ Ck Ball, Input Drum (Fits In Turbine Shaft)	82-93	1	TH700.CAP02
NI	Capsule w/ Ck Ball, Under Low/ Reverse Piston	82-93	1	TH700.VA11
NI	Check Valve, Servo Release (Sonnax)	82-93	1	TH700.VA12
NI	Plastic Case Breather	82-93	1	TH700.BRE01
TOOLS & MANUALS				
NI	ATSG Rebuild Manual (4L60).....	82-86		TH700.MAN01
NI	ATSG Rebuild Manual (4L60).....	87-93		TH700.MAN02
NI	ATSG Update Manual (4L60).....	89-ON		TH700.MAN03
Click here to view special tools for this transmission				