

TURBO HYDRAMATIC 250, 250C, 350, 350C

3 SPEED RWD (Lock Up & Non Lock Up)

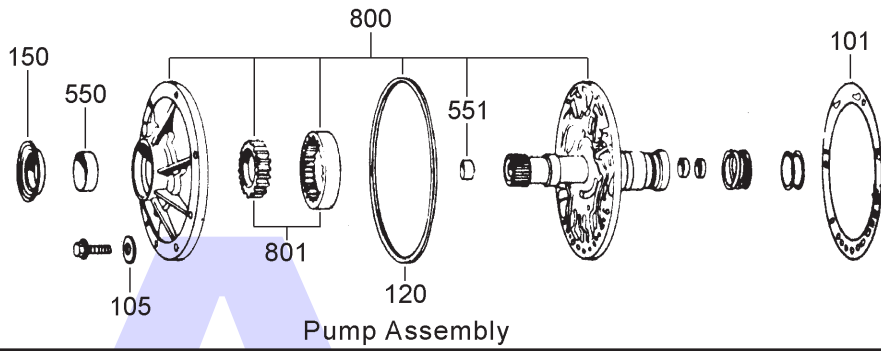


AUTOMATIC CHOICE



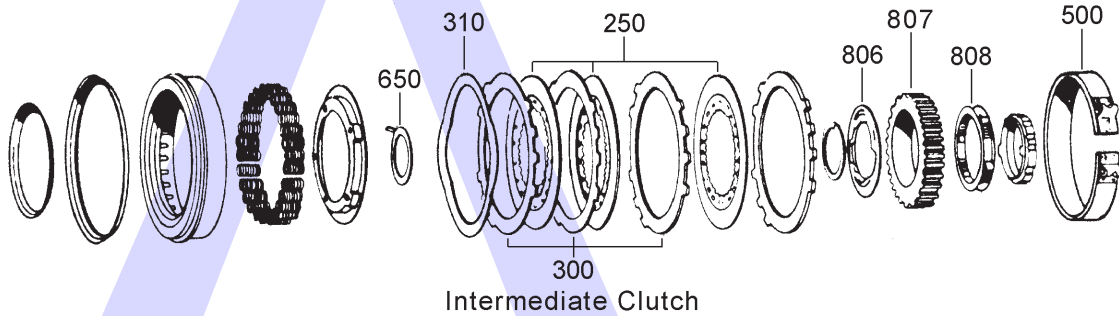
THE AUTOMATIC TRANSMISSION PARTS WAREHOUSE

A



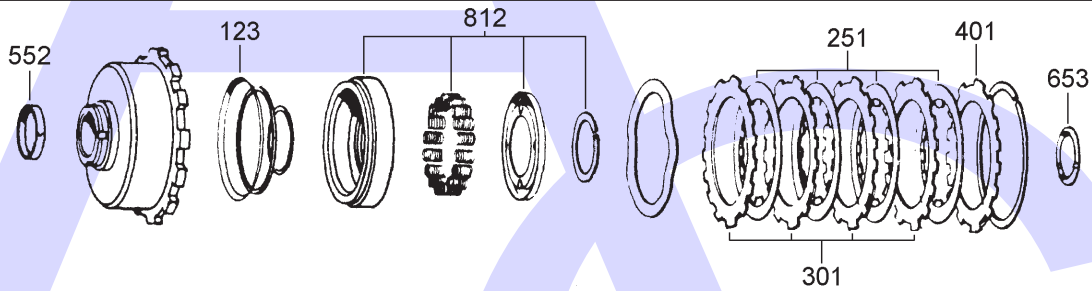
Pump Assembly

B



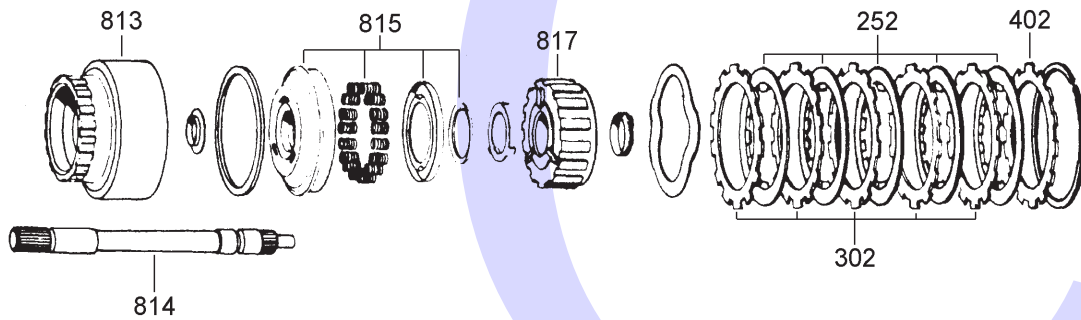
Intermediate Clutch

C



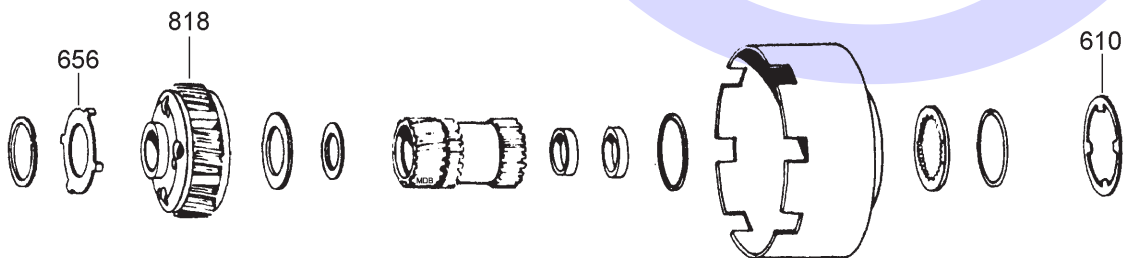
Direct Clutch

D



Forward Clutch

E



Front Planetary and Sun Gear

TURBO HYDRAMATIC 250, 250C, 350, 350C

3 SPEED RWD (Lock Up & Non Lock Up)

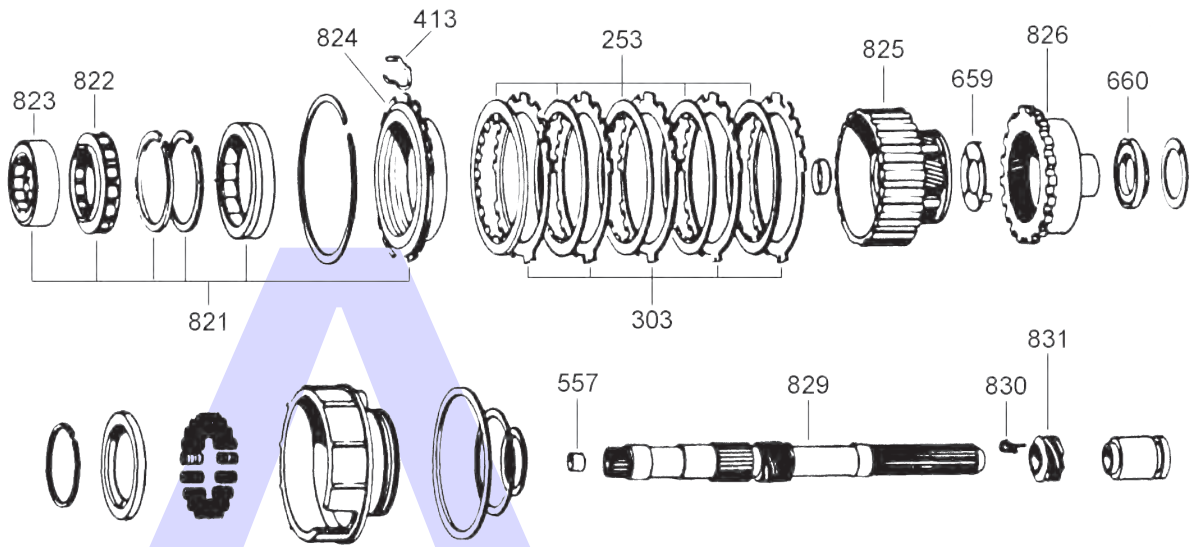


AUTOMATIC CHOICE



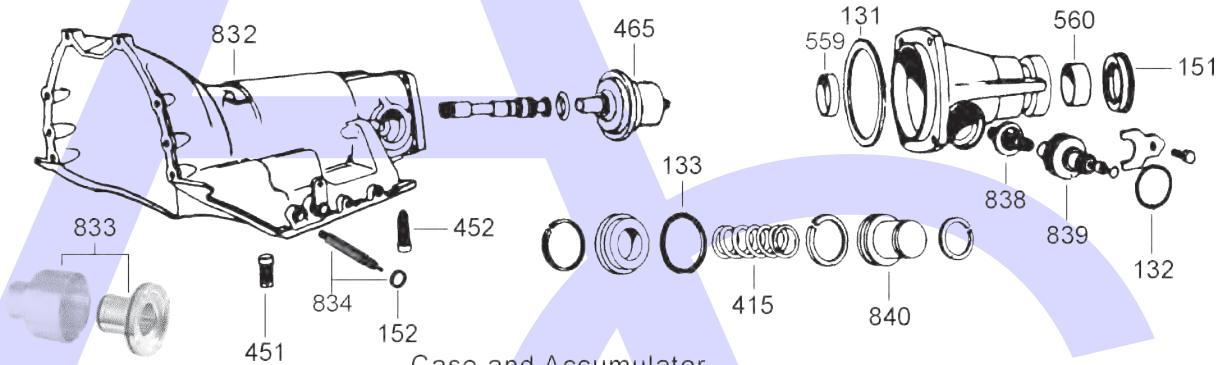
THE AUTOMATIC TRANSMISSION PARTS WAREHOUSE

F



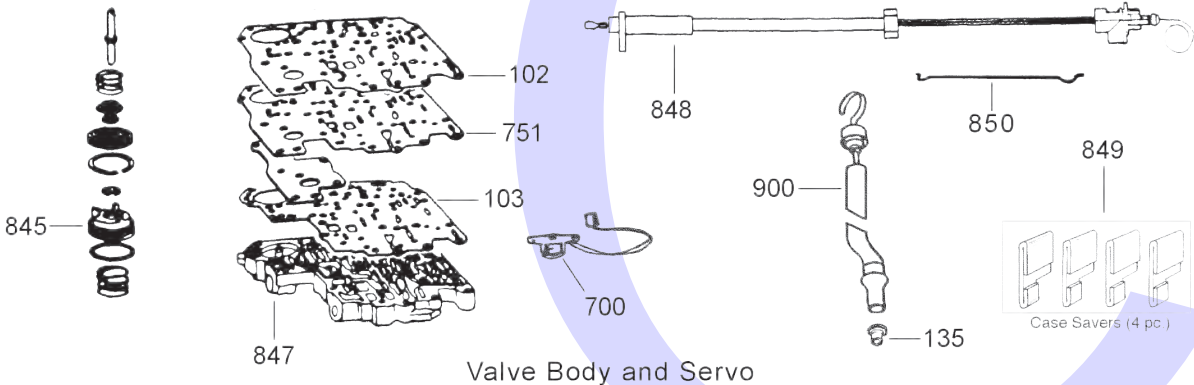
Low Reverse Clutch and Output Shaft

G



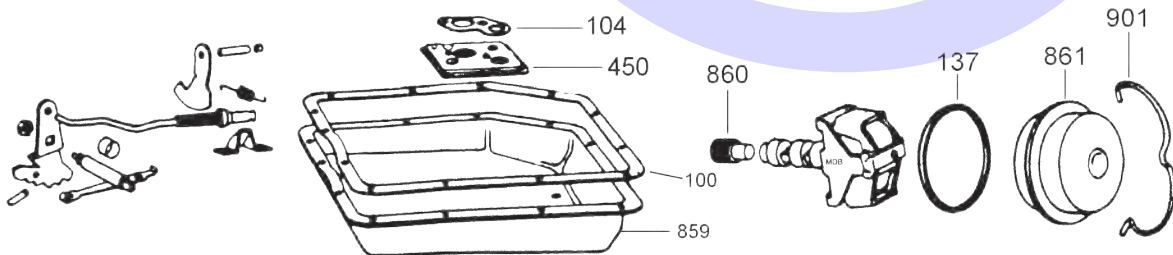
Case and Accumulator

H



Valve Body and Servo

J



Oil Pan and Governor Assembly

TURBO HYDRAMATIC 250, 250C, 350, 350C

3 SPEED RWD (Lock Up & Non Lock Up)



AUTOMATIC CHOICE



THE AUTOMATIC TRANSMISSION PARTS WAREHOUSE

ILL NO.	DESCRIPTION	YEARS	QTY	PART NO
KITS				
Kit	Banner Kit 250C (Includes Frictions).....	80-84	1	TH250.BAK01
Kit	Overhaul Kit 250C (Precision) ..	80-84	1	TH250.OHK51
Kit	Overhaul Kit 350 (Precision).....	69-79	1	TH350.OHK51
Kit	Overhaul Kit (Transtec) 250/250C & 350/350C	69-86	1	TH350.OHK03
Kit	Overhaul Kit (Precision) 250/250C & 350/350C.....	69-86	1	TH350.OHK53
Kit	Overhaul Kit (Transtec) 250C & 350C	79-86	1	TH350.OHK02
Kit	Gasket & Seal (Transtec) 250 & 350.....	69-79	1	TH350.GSK01
Kit	Gasket & Seal (Transtec) 250C & 250C	80-86	1	TH350.GSK02
GASKETS				
100J	Pan Gasket All	69-86	1	TH350.GAS01
100J	Pan Gasket All (Fibre).....	69-86	1	TH350.GAS10
101A	Front Pump Gasket.....	69-86	1	TH350.GAS02
102H	Valve Body Upper (350C)	80-86	1	TH350.GAS03
103H	Valve Body Lower (350C)	80-86	1	TH350.GAS04
104J	Filter Gasket.....	69-86	1	TH350.GAS09
105A	Washer, Pump Bolt	69-86	8	TH180.WA01
NI	207 4x4 Transfer Gasket.....	69-86	1	TH350.GAS05
NI	208 4x4 Transfer Gasket.....	69-86	1	TH350.GAS06
RUBBER COMPONENTS				
120A	'O' Ring, Pump Outer.....	69-86	1	TH400.SQR01
123C	Lip Seal, Direct Clutch Outer	69-86	1	TH350.LIP01
131G	Rubber Seal, Case to Extension Housing.....	69-86	1	TH350.OR09
132G	'O' Ring, Speedo Adaptor.....	69-79	1	TH350.OR01
132G	'O' Ring, Speedo Adaptor.....	79-86	1	TH350.OR02
133G	'O' Ring, Accumulator Cover (59.18mm ID).....	69-86	1	TH350.OR03
135H	Filler Tube Seal Multi Lip.....	79-86	1	TH125.LIP03
137J	'O' Ring, Governor Cover.....	69-86	1	TH350.OR08
METAL CLAD SEALS				
150A	Front Pump	69-86	1	TH400.MCS03
151G	Extension Housing.....	69-86	1	TH180.MCS02
152G	Selector Shaft	69-86	1	TH180.MCS03
NI	Speedo Driven Gear Shaft (With Spring).....	69-86	1	TH180.MCS04
NI	Speedo Driven Gear Shaft (Without Spring).....	69-86	1	TH180.MCS05
SEALING RINGS				
Kit	Sealing Ring Kit	69-86	1	TH350.SRK01
Kit	Sealing Ring Kit (Teflon)	74-86	1	TH350.SRK02
FRICTION PLATES				
Kit	Friction Plate Kit (Ex 250C).....	69-86	1	TH350.FRK01
Kit	Friction Plate Kit (Alto) (Ex 250C).....	69-86	1	TH350.FRK51
Kit	Friction Plate Kit (Alto) (High Performance Ex 250C)....	69-86	1	TH350.FRK61
Kit	Friction Plate Kit (Alto) (With Heg Frictions Ex 250C) ...	69-86	1	TH350.FRK62

ILL NO.	DESCRIPTION	YEARS	QTY	PART NO
FRICTION PLATES Cont...				
Kit	Friction Plate Kit (Alto) (250C).....	80-84	1	TH250.FRK51
250B	Intermediate Clutch (189mm OD x 2.50mm x 60T) ..	69-86	3	TH350.FRP02
251C	Direct Clutch (Ex 250C) (150.3mm OD x 2.50mm x 20T) ..	69-86	4-5	TH350.FRP03
251C	Direct Clutch (Ex 250C) (Green Metallic) (150.3mm OD x 2.50mm x 20T) ..	69-86	4-5	TH350.FRP04
251C	Direct Clutch (250C Only) (150mm OD x 2.23mm x 20T) ..	80-84	5	TH250.FRP01
252D	Forward Clutch (Ex 250C) (150.3mm OD x 2.50mm x 20T) ..	69-86	5	TH350.FRP03
252D	Forward Clutch (Ex 250C) (Green Metallic) (150.3mm OD x 2.50mm x 20T) ..	69-86	5	TH350.FRP04
252D	Forward Clutch (250C Only) (150mm OD x 2.23mm x 20T) ..	80-84	5	TH250.FRP01
253F	Low & Rev Clutch (Ex 250C) (164mm OD x 2.50mm x 25T) ..	69-86	5	TH350.FRP01
253F	Low & Rev Clutch (250C) (164mm OD x 2.20mm x 25T) ..	69-86	5	TH350.FRP05
STEEL PLATES				
Kit	Steel Plate Kit (Exc 250C).....	69-86	1	TH350.STK01
Kit	Steel Plate Kit (Alto) (Exc 250C).....	69-86	1	TH350.STK51
Kit	Friction Plate Kit (Alto) (High Performance Ex 250C)....	69-86	1	TH350.STK61
Kit	Steel Plate Kit (Alto) (250C).....	80-84	1	TH250.STK51
300B	Intermediate (157mm ID x 1.73mm x 7T)	69-86	3	TH350.STP02
301C	Direct Clutch (124mm ID x 1.73mm x 12T)	69-86	4	TH350.STP01
301C	Direct Clutch Over Size (124mm ID x 2.25mm x 12T)	69-86	4	TH350.STP04
302D	Forward Clutch (124mm ID x 1.73mm x 12T)	69-86	5	TH350.STP01
302D	Forward Clutch Over Size (124mm ID x 2.25mm x 12T)	69-86	5	TH350.STP04
303F	Low & Reverse (145mm ID x 1.73mm x 17T)	69-86	3-5	TH350.STP03
310B	Waved Steel, Int Clutch	69-86	1	TH350.DIA01
PRESSURE PLATES				
401C	Direct Clutch (7.87mm)	69-86	1	TH350.PP01
402D	Forward Clutch (6.35mm)	69-86	1	TH350.PP02
402D	Forward Clutch (7.11mm)	69-86	1	TH350.PP03
SPRINGS & CIRCLIPS				
Kit	Snap Ring Kit	69-86	1	TH350.CIR10
413F	Spring, Low Anti Clunk.....	69-86	1	TH400.SPR04
415G	Spring, Orange Intermediate Accumulator	69-86	1	TH350.SPR02
FILTERS				
450J	Filter Screen Type.....	69-86	1	TH350.FIL01
450J	Filter Felt Type	69-86	1	TH350.FIL03
451G	Front Pump Screen.....	69-86	1	TH350.FIL02
452G	Governor Filter.....	69-86	1	TH700.FIL02

TURBO HYDRAMATIC 250, 250C, 350, 350C

3 SPEED RWD (Lock Up & Non Lock Up)



AUTOMATIC CHOICE



THE AUTOMATIC TRANSMISSION PARTS WAREHOUSE

ILL NO.	DESCRIPTION	YEARS	QTY	PART NO
MODULATORS				
465G	Modulator (1.75 sq in Diaphragm) Adjustable (Red Stripe).....	69-86	1	TH350.MOD01
465G	Modulator (Red/Black Stripe)....	69-86	1	TH350.MOD02
465G	Modulator Large Black Canister (Replaced By TH350.MOD01) ..	69-86	1	TH400.MOD02
BANDS				
500B	Intermediate 250C (Double Wrap).....	80-84	1	TH250.BAN01
500B	Intermediate 350, 350C	69-86	1	TH350.BAN01
BUSHES				
Kit	Bush Kit.....	69-79	1	TH350.BK01
Kit	Bush Kit.....	80-86	1	TH350.BK02
550A	Front Pump Bush	69-86	1	TH180.BUS01
550A	Front Pump Bush (PTFE Lined) (Sonnax@ Click here for Info) ..	69-86	1	TH180.BUS02
551A	Stator Support Front Non L/U ...	69-79	1	TH350.BUS03
551A	Stator Support Front (350C)	80-86	1	TH350.BUS05
552C	Direct Clutch 350, 350C (No Groove)	80-86	1	TH350.BUS12
557F	Output Shaft Pilot (Bronze) (19mm Long).....	69-79	1	TH350.BUS06
557F	Output Shaft Pilot (Teflon).....	80-86	1	TH350.BUS04
559G	Main Case (Durabond).....	69-86	1	TH350.BUS13
560G	Extension Housing	69-86	1	TH350.BUS09
NI	Gov Repair Bronze Bush	69-86	1	TH350.BUS02
NI	Cross Shaft Linkage Bush	69-86	1	4L60E.BUS01
THRUST WASHERS & BEARINGS				
Kit	Thrust Washer Kit	69-79	1	TH350.TWK01
Kit	Thrust Washer Kit	80-86	1	TH350.TWK02
Kit	Washer Kit, Pump Shim Kit (6 Shims).....	69-86	1	TH350.TWK03
Kit	Torrington Bearings.....	69-86	1	TH350.TWK04
610E	Shell to Inner Race	69-86	1	TH350.THW09
610E	Shell to Inner Race (Plastic)	69-86	1	TH350.THW08
650B	Bearing, Stator to Direct Drum..	69-86	1	TH350.THW02
653C	Bearing, Direct Drum to Forward Drum	69-86	1	TH350.THW03
656E	Bearing, Front Planet to Hub	69-86	1	TH350.THW05
659F	Bearing, Rear Planet to R.gear.	69-86	1	TH350.THW06
660F	Bearing, Rear Ring Gear to Case.....	69-86	1	TH350.THW07
ELECTRONIC COMPONENTS				
NI	Governor Pressure Switch (52psi Blue Stripe)	69-86	1	TH200.ELE01
700H	Solenoid, TCC (2 Wires in Connector) (2 Spades)	80-86	1	TH350.SOL01
VALVE BODY PARTS				
Kit	Shift Kit Lock Up & Non L. Up... ..	69-86	1	TH350.SK01
Kit	Competition. Tow & Go (Non Lock Up).....	69-86	1	TH350.SK02
Kit	Competition. Tow & Go (Lock Up)	69-86	1	TH350.SK05
Kit	Reprogram Kit (TransGo)	69-79	1	TH350.SK03
Kit	Performance Boost Valve & Sleeve Kit (Sonnax @)	69-86	1	TH350.VA03
751H	Seperator Plate (UUU).....	69-86	1	TH350.SP01
NI	Accumulator Pin, Oversize With Reamer (Sonnax @).....	69-86	1	TH350.VA01

ILL NO.	DESCRIPTION	YEARS	QTY	PART NO
HARD PARTS				
Kit	Intermediate Servo Piston & Sleeve Kit (Sonnax@)	69-86	1	TH350.VA02
800A	Pump Assembly 250	69-79	1	TH250.PUM01
800A	Pump Assy, 350 Washer Type ..	69-79	1	TH350.PUM01
800A	Pump Assy, 350 Bearing Type (5 Ring Stator).....	69-79	1	TH350.PUM06
800A	Pump Assy, 350 Non Lock-Up (Rebuilt)	69-79	1	TH350.PUM05
800A	Pump Assy, 350C Lock-Up	80-86	1	TH350.PUM02
801A	Pump Gears (21.463mm)	80-86	1	TH350.PUM03
801A	Pump Gears (18.313mm)	69-79	1	TH350.PUM04
806B	Retaining Plate, Intermediate One Way Clutch	69-86	1	TH350.RET01
807B	Outer Race Intermediate OWC ..	69-86	1	TH350.OWC03
807B	Outer Race Intermediate OWC Heavy Duty (Sonnax@ Click Here for Info) ..	69-86	1	TH350.OWC05
808B	One Way Clutch, Intermediate ..	69-86	1	TH350.OWC02
812C	Piston Kit, Direct Clutch (5 Plate)	69-86	1	TH350.PIS04
813D	Forward Clutch Drum (w/o Input Shaft) (350, 350C)....	69-86	1	TH350.DRU01
814D	Input Shaft, (Non Lock-Up)	69-79	1	TH350.SH02
814D	Input Shaft, (Lock-Up).....	80-86	1	TH350.SH01
815D	Piston & Spring Kit, Fwd Drum ..	69-86	1	TH350.PIS05
817D	Ring Gear, Front Planet (Washer Type).....	69-86	1	TH350.PL04
818E	Front Planetary, Washer Type... ..	69-86	1	TH350.PL02
821F	Centre Support Assembly	69-86	1	TH350.SUP01
822F	One Way Clutch, Low/ Reverse ..	69-86	1	TH350.OWC01
823F	Inner Race, Low/Rev OWC (Used) ..	69-86	1	TH350.OWC04
824F	Case Saver (With Centre Support) Requires TH700 Low OWC & Inner Race	69-86	1	TH350.LT02
825F	Rear/Low & Rev Planetary.....	69-86	1	TH350.PL01
826F	Ring Gear, Rear Planet (Washer Type).....	69-86	1	TH350.PL03
829F	Output Shaft, 393.70mm Long..	69-86	1	TH350.SH03
830F	Retaining Clip, Speedo Drive Gear (See Separate Speedo Gear Listing)			
831F	Speedo Drive Gear (See Separate Speedo Gear Listing)			
832G	Main Case 4WD (6 Bolt Aluminium Dust Cover Type)	77-79	1	TH350.CAS01
832G	Main Case 4WD (6 Bolt Aluminium Dust Cover Type (L/Up))	80-ON	1	TH350.CAS02
833G	1-2 Accumulator Sleeve & Piston Kit (Sonnax@ Click Here for Info) ..	69-86	1	TH350.SL02
834G	Manual Shaft & Seal Kit (Sonnax@).....	69-86	1	TH350.SH04
838H	Speedo Driven Gear (See Separate Speedo Gear Listing)			
839H	Housing, Speedo Driven Gear (22mm Steel (Bullet)	69-86	1	TH350.GE06
840G	Piston, Int Accumulator	69-86	1	TH350.PIS01
845H	Piston, Direct Accumulator.....	69-86	1	TH350.PIS02
847H	Valve Body, Non Lock Up	69-79	1	TH350.VB01
848H	Cable, Universal (Fitzall).....	69-86	1	TH350.CAB01
849H	Case Saver, (1 Piece).....	69-86	1	TH350.LT01
850H	Kick Down Cable Link.....	69-86	1	TH350.RET02
859J	Derale Pan Cooler Black (Click Here for Info)	69-86	1	TH350.PAN31
860J	Governor Gear Kit.....	69-86	1	TH350.GOV01
861J	Cover, Governor.....	69-86	1	TH700.COV01
NI	Breather, Case	69-86	1	TH350.BRE01

TURBO HYDRAMATIC 250, 250C, 350, 350C 3 SPEED RWD (Lock Up & Non Lock Up)



AUTOMATIC CHOICE



THE AUTOMATIC TRANSMISSION PARTS WAREHOUSE

ILL NO.	DESCRIPTION	YEARS	QTY	PART NO
MISCELANIOUS ITEMS				
900H	Filler Tube & Dip Stick, OE Style.....	69-86	1	TH350.TUB01
900H	Filler Tube & Dip Stick, GM Universal Fitz All (Teckpak).....	64-98	1	TH400.DIP01
901J	Retaining Clip, Governor Cover	64-98	1	TH700.RET02
NI	Transmission Mount (Universal).....	69-86	1	TH350.MOU01
TOOLS & MANUALS				
NI	ATSG Rebuild Manual	69-86		TH350.MAN01
<p>Click here to view special tools for this transmission</p>				

ILL NO.	DESCRIPTION	YEARS	QTY	PART NO
---------	-------------	-------	-----	---------