

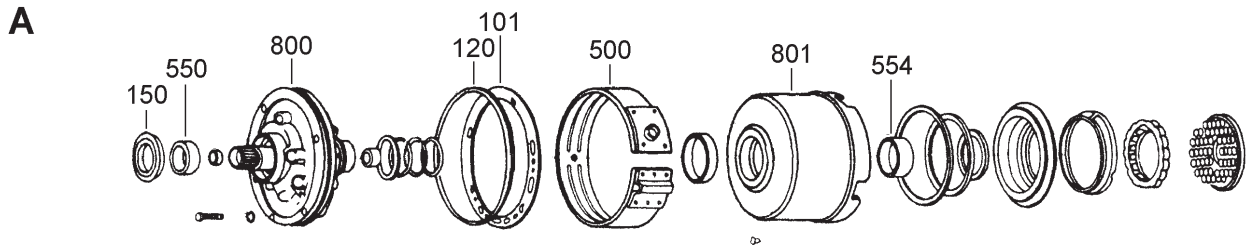
TURBO HYDRAMATIC 200, 200C (M-29) 3 SPEED RWD W & W/O Lock Up



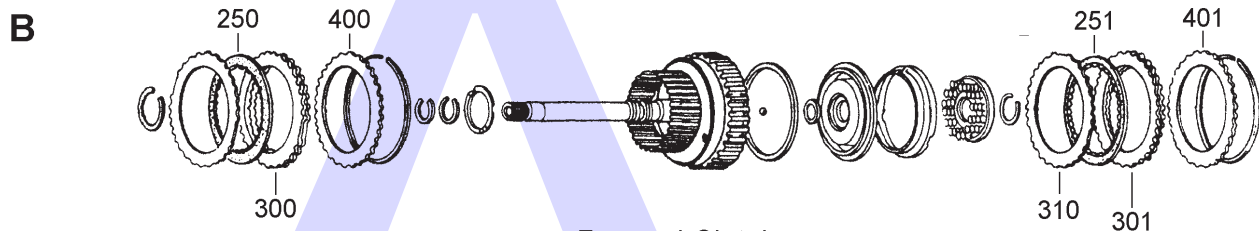
AUTOMATIC CHOICE



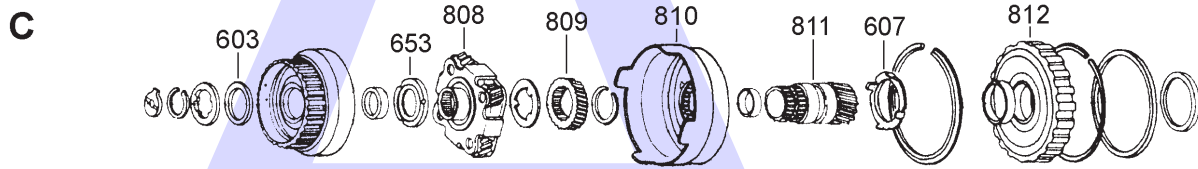
THE AUTOMATIC TRANSMISSION PARTS WAREHOUSE



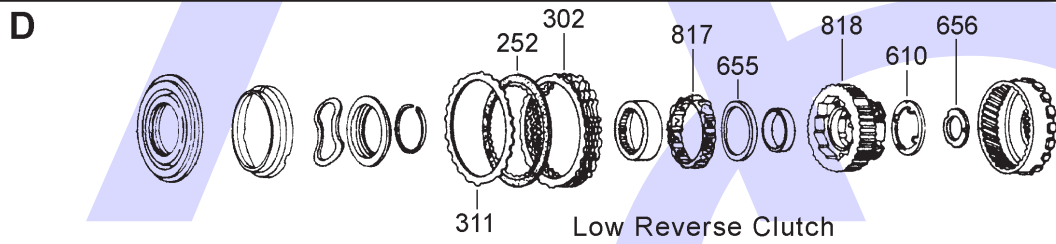
Pump & Direct Clutch



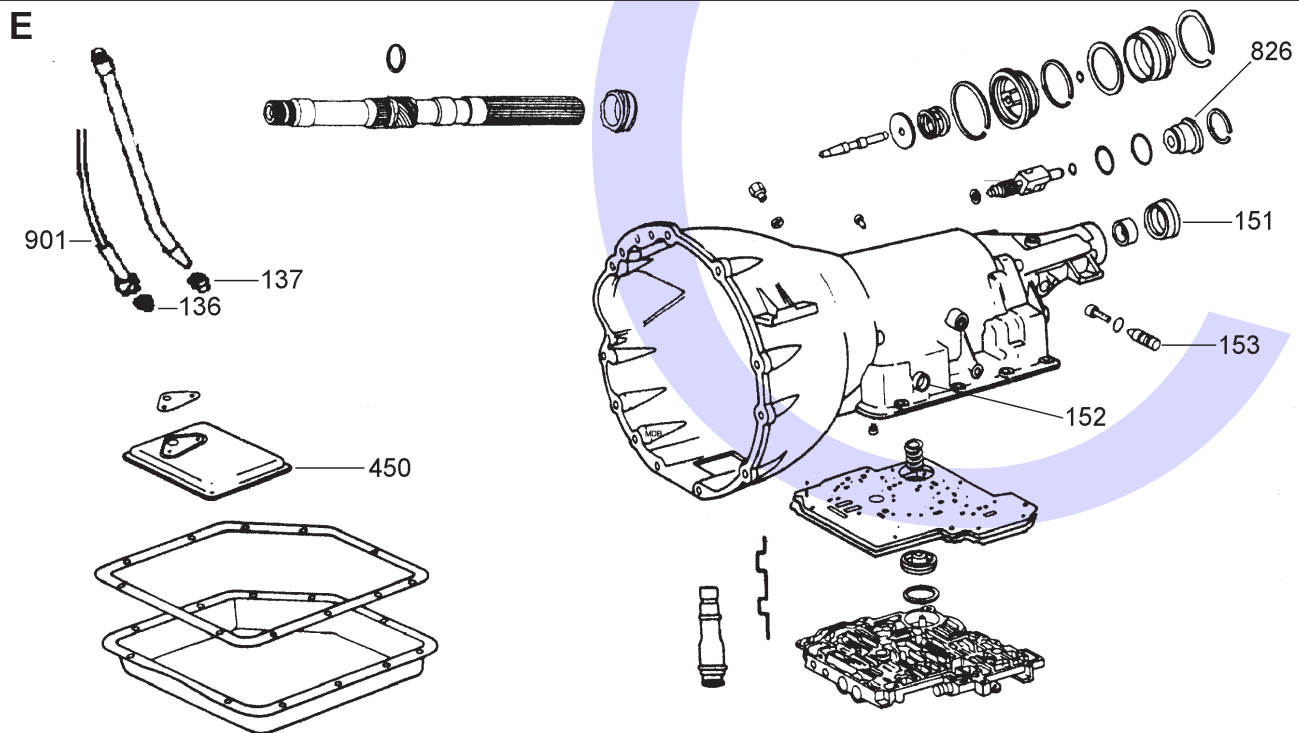
Forward Clutch



Front Planetary & Sun Gear



Low Reverse Clutch



Case, Servo & Valve Body Components

TURBO HYDRAMATIC 200, 200C (M-29)

3 SPEED RWD W & W/O Lock Up



AUTOMATIC CHOICE



THE AUTOMATIC TRANSMISSION PARTS WAREHOUSE

ILL NO.	DESCRIPTION	YEARS	QTY	PART NO
KITS				
Kit	Banner Kit (Overhaul Kit Plus all Frictions)	76-87	1	TH200.BAK01
Kit	Overhaul Kit (Transtec)	76-87	1	TH200.OHK01
Kit	Overhaul Kit (Precision)	76-87	1	TH200.OHK51
GASKETS				
101A	Front Pump Gasket	76-87	1	TH200.GAS02
RUBBER COMPONENTS				
120A	Pump Outer 'O' Ring	79-87	1	TH200.OR02
136E	Detent Cable Rubber Boot	79-87	1	TH200.RUB01
137E	Filler Tube Seal Multi Lip (Second Design)	79-87	1	TH125.LIP03
NI	Turbine Shaft 'O' Ring (Green Coated)	79-87	1	TH125.OR01
METAL CLAD SEALS				
150A	Front Pump Seal	76-87	1	TH700.MCS01
151E	Extension Housing	76-87	1	TH180.MCS02
152E	Selector Shaft	76-87	1	TH180.MCS03
153E	Speedometer Seal	76-87	1	TH200.MCS03
NI	Speedo Driven Gear Shaft (With Spring)	76-87	1	TH180.MCS04
NI	Speedo Driven Gear Shaft (Without Spring)	76-87	1	TH180.MCS05
SEALING RINGS				
FRICTION PLATES				
Kit	Friction Plate	76-87	1	TH200.FRK01
Kit	Friction Plate (Alto)	76-87	1	TH200.FRK51
250B	Direct Clutch (133mm OD x 2.00mm x 30T) ..	76-87	3-5	TH200.FRP01
250B	Direct Clutch (Borg Warner) (133mm OD x 2.00mm x 30T) ..	76-87	3-5	TH200.FRP02
251B	Forward Clutch (133mm OD x 2.00mm x 30T) ..	76-87	3-6	TH200.FRP01
251B	Forward Clutch (Borg Warner) (133mm OD x 2.00mm x 30T) ..	76-87	3-6	TH200.FRP02
252D	Low & Reverse Brake (140mm OD x 2.00mm x 44T) ..	76-87	4-6	TH200.FRP03
STEEL PLATES				
Kit	Steel Plate	76-87	1	TH200.STK01
Kit	Steel Plate (Alto)	76-87	1	TH200.STK51
300B	Direct Clutch (110mm ID x 2.30mm x 26T)	76-87	3-5	TH200.STP02
301B	Forward Clutch (110mm ID x 2.00mm x 30T)	76-87	2-4	TH200.STP01
302D	Low & Reverse Brake (119mm ID x 1.93mm x 22T)	76-87	5-7	TH200.STP03
310B	Forward Clutch Waved (110mm ID x 1.60mm x 30T)	76-87	1	TH200.STP04
311D	Low & Reverse Waved (119mm ID x 2.00mm x 4T)	76-87	1	TH200.DIA01

ILL NO.	DESCRIPTION	YEARS	QTY	PART NO
PRESSURE PLATES				
400B	Direct Clutch	76-87	1	TH200.PP01
401B	Forward Clutch	76-87	1	TH200.PP01
FILTERS				
450E	Pan Filter (Brass)	76-78	1	TH200.FIL01
450E	Pan Filter	79-87	1	TH200.FIL02
BANDS				
500A	Intermediate Band	76-87	1	TH200.BAN01
500A	Intermediate Band (Alto) Heavy Duty POWERBAND™	76-87	1	TH200.BAN02
BUSHES				
Kit	Bush Kit	76-87	1	TH200.BK01
550A	Front Pump Bush	76-87	1	TH200.BUS01
THRUST WASHERS & BEARINGS				
Kit	Thrust Washer Kit (Less Selectives)	76-87	1	TH200.TWK01
Kit	Thrust Washer, Fwd Drum to Hub (Selectives Can Use TWK03) ...	76-87	1	TH200.TWK02
Kit	Thrust Washer, Fwd Drum to Hub (Selectives Can Use TWK02) ...	76-87	1	TH200.TWK03
603C	Thrust Washer, Forward Hub to Spacer	76-ON	1	TH200.THW05
607C	Shell to Low/ Reverse Clutch Housing .080" (Plastic)	76-87	1	TH200.THW01
610D	Rear Planet to Rear Ring Gear	76-87	1	TH200.THW02
653C	Front Planet to Hub	76-87	1	TH200.THW03
655D	Rear Planet to Sprag Race	76-87	1	TH200.THW04
656D	Sun Gear to Rear Ring Gear	76-87	1	TH200.BE01
ELECTRICAL COMPONENTS				
NI	Pressure Switch Lock Up Delay (54psi 200C)	76-87	1	TH200.ELE01
NI	Universal Connector, 4 Pin Square can be Used in Place of 2 and 3 Pin Case Connector	76-87	1	TH400.ELE02
HARD PARTS				
800A	Pump Assy (Non Lock Up)	79-80	1	TH200.PUM01
800A	Pump Assy (Lock Up Type)	79-87	1	TH200.PUM02
801A	Direct Drum	76-87	1	TH200.DRU01
808C	Front Planetary	76-87	1	TH200.PL01
809C	Front Sun Gear	76-87	1	TH200.SUN01
810C	Drive Shell (Hardened)	76-87	1	TH200.POT01
811C	Rear Sun Gear	76-87	1	TH200.SUN02
812C	Low/ Reverse Clutch Housing (Center Support, Steel)	76-87	1	TH200.SUP01
817D	Low Roller Clutch Assembly	76-87	1	TH200.OWC01
818D	Rear Planetary	76-87	1	TH200.PL02
826E	Governor Cover (No Ring)	76-87	1	TH200.COV01
SUNDRY PARTS & TOOLS				
901E	"Fitz All" Multi Fit Cable	76-87	1	TH700.CAB01

[Click here to view special tools for this transmission](#)