

TH180, TH180C (THM3L30, MD-2)

3 SPEED RWD With & Without Lock Up

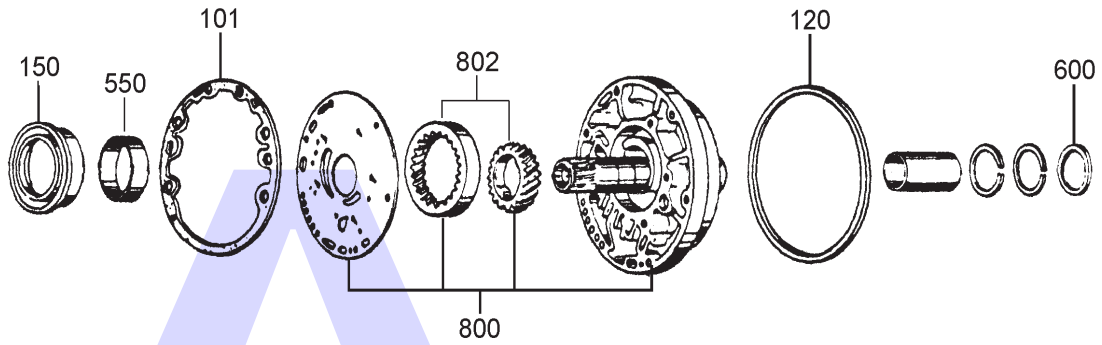


AUTOMATIC CHOICE



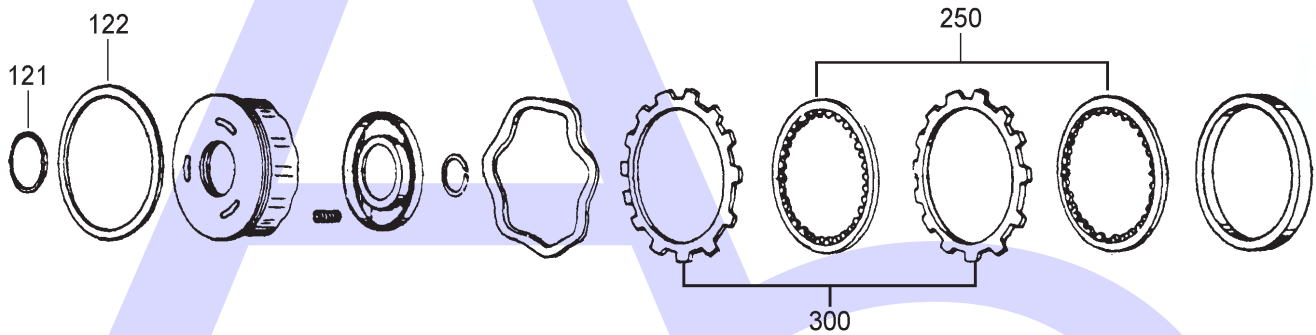
THE AUTOMATIC TRANSMISSION PARTS WAREHOUSE

A



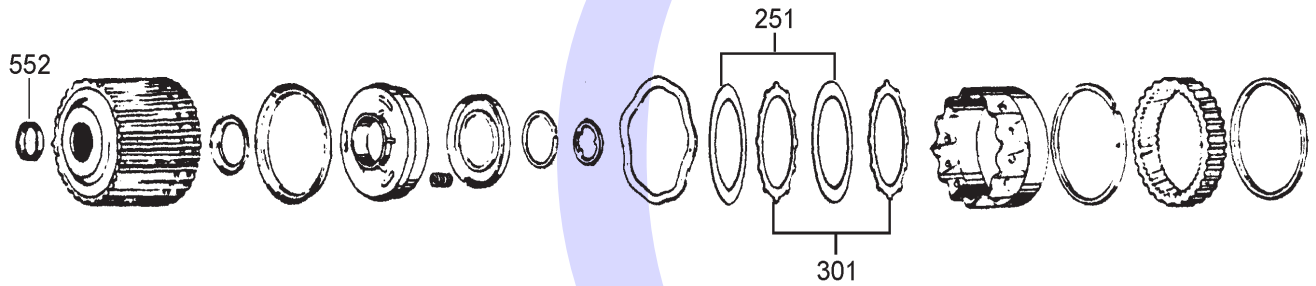
Pump Assembly

B



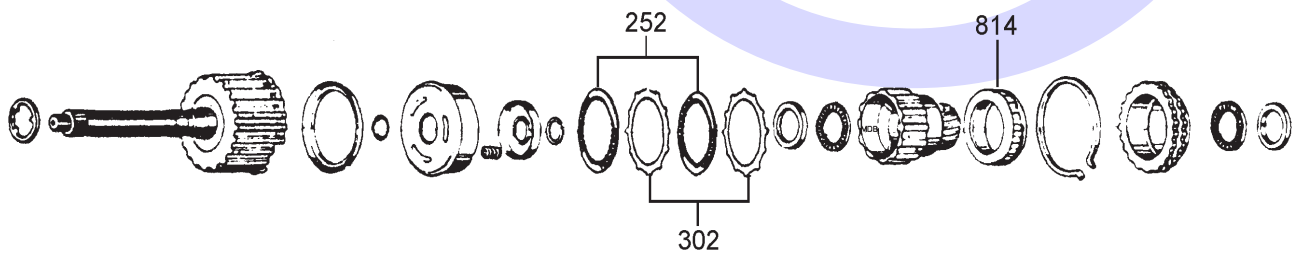
Reverse Clutch

C



Intermediate Clutch

D



High Clutch

TH180, TH180C (THM3L30, MD-2)

3 SPEED RWD With & Without Lock Up

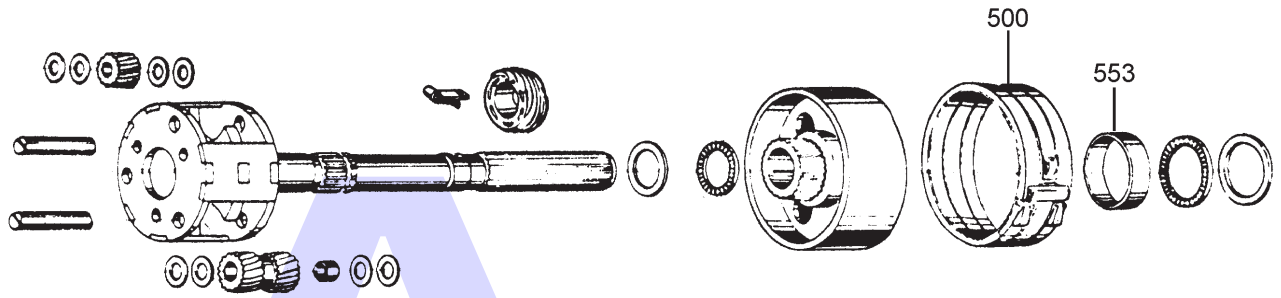


AUTOMATIC CHOICE



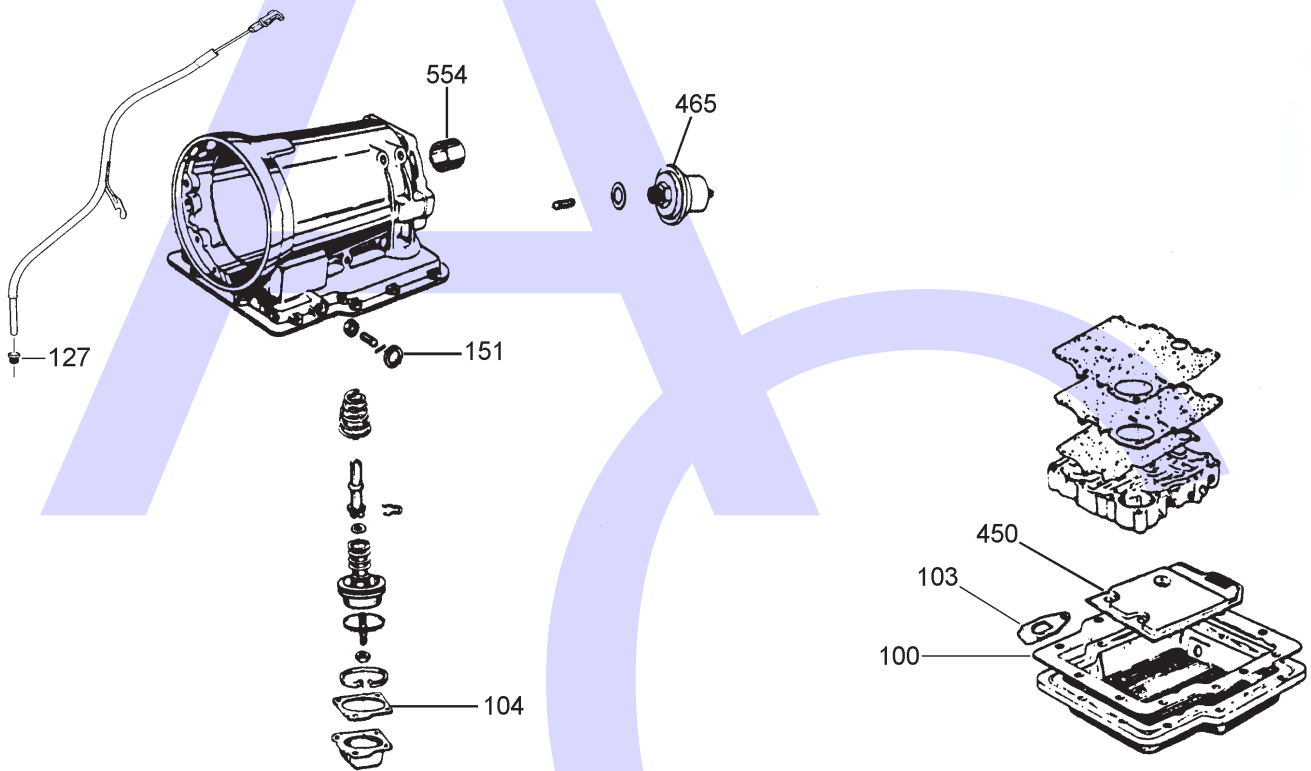
THE AUTOMATIC TRANSMISSION PARTS WAREHOUSE

E



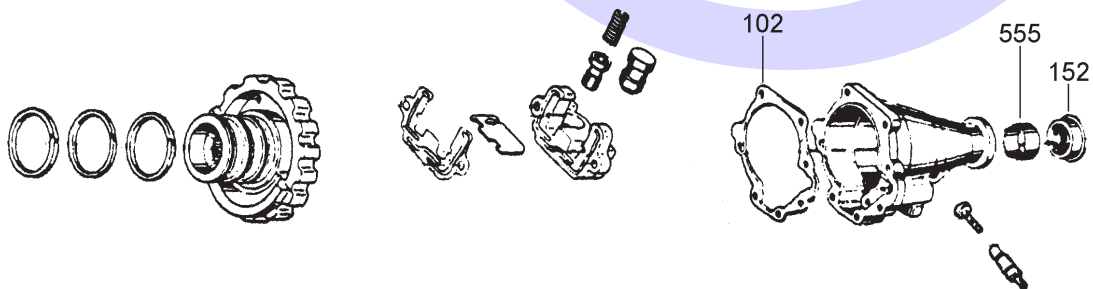
PLanetary Assembly

F



Case, Servo Assembly & Valve Body

G



Output Shaft & Governor Assembly

TH180, TH180C (THM3L30, MD-2)

3 SPEED RWD With & Without Lock Up



AUTOMATIC CHOICE



THE AUTOMATIC TRANSMISSION PARTS WAREHOUSE

ILL NO.	DESCRIPTION	YEARS	QTY	PART NO
KITS				
Kit	Overhaul Kit (Transtec).....	69-89	1	TH180.OHK01
Kit	Overhaul Kit (Precision).....	69-89	1	TH180.OHK51
Kit	Overhaul Kit (Precision) (Australian Market).....	69-89	1	TH180.OHK52
Kit	Gasket & Rubber	69-ON	1	TH180.GSK01
GASKETS				
100F	Pan Gasket TH180	69-89	1	TH180.GAS01
100F	Pan Gasket TH180 (Fibre).....	69-89	1	TH180.GAS10
101A	Front Pump Gasket TH180.....	69-ON	1	TH180.GAS02
102G	Extension Housing.....	69-ON	1	TH180.GAS03
103F	Filter Gasket.....	69-ON	1	TH180.GAS05
104F	Servo Cover.....	69-ON	1	TH180.GAS04
NI	Washer, Pump Bolt	69-ON	12	TH180.WA01
RUBBER COMPONENTS				
120A	Pump Lathe Cut Seal.....	69-ON	1	TH180.OR01
121B	Reverse Clutch Inner Seal.....	69-ON	1	TH180.SQR01
122B	Reverse Clutch Outer Seal	69-ON	1	TH180.SQR02
127F	Filler Tube Seal Multi Lip (AM)..	69-ON	1	TH125.LIP03
127F	Filler Tube Seal Multi Lip (AM) (Alternative).....	69-ON	1	TH180.RUB01
METAL CLAD SEALS				
150A	Converter Seal.....	69-ON	1	TH180.MCS01
151F	Selector Shaft	69-ON	1	TH180.MCS03
152G	Extension Housing.....	69-ON	1	TH180.MCS02
NI	Speedo Driven Gear Shaft (With Spring).....	69-ON	1	TH180.MCS04
NI	Speedo Driven Gear Shaft (Without Spring).....	69-ON	1	TH180.MCS05
SEALING RINGS				
Kit	Sealing Ring Kit	69-ON	1	TH180.SRK01
FRICITION PLATES				
Kit	Friction Plate.....	69-ON	1	TH180.FRK01
Kit	Friction Plate (Alto) (US Market).....	69-ON	1	TH180.FRK51
Kit	Friction Plate (Alto) (European Market).....	69-ON	1	TH180.FRK52
Kit	Friction Plate (Alto) (Australian Market, Holden)	69-78	1	TH180.FRK53
250B	Reverse Brake (163mm OD x 2.50mm x 36T) ..	69-ON	3-6	TH180.FRP03
251C	Intermediate/2nd Clutch (133mm OD x 2.50mm x 30T) ..	69-ON	3-6	TH180.FRP02
252D	High/3rd Clutch (98mm OD x 1.50mm x 12T)	69-ON	3-5	TH180.FRP01

ILL NO.	DESCRIPTION	YEARS	QTY	PART NO
STEEL PLATES				
Kit	Steel Plate (2.11mm Steels).....	69-ON	1	TH180.STK01
Kit	Steel Plate (Alto) (US Market).....	69-ON	1	TH180.STK51
Kit	Steel Plate (Alto) (European Market).....	69-ON	1	TH180.STK52
Kit	Steel Plate (Alto) (Australian Market, Holden)	69-78	1	TH180.STK53
300B	Reverse Clutch (144mm ID x 1.78mm x 7T)	69-ON	3-6	TH180.STP03
300B	Reverse Clutch (144mm ID x 2.11mm x 7T)	69-ON	3-6	TH180.STP06
301C	Intermediate/2nd Clutch (109mm ID x 1.78mm x 36T)	69-ON	4-7	TH180.STP02
301C	Intermediate/2nd Clutch (109mm ID x 2.11mm x 36T)	69-ON	4-7	TH180.STP05
301C	Intermediate/2nd Clutch (Shim) (109mm ID x 0.50mm x 36T)	69-ON	4-7	TH180.STP08
302D	High/3rd Clutch (72mm ID x 1.78mm x 30T)	69-ON	4-6	TH180.STP01
302D	High/3rd Clutch (72mm ID x 2.11mm x 30T)	69-ON	4-6	TH180.STP04
302D	High/3rd Clutch (Shim) (72mm ID x 0.50mm x 30T)	69-ON	AR	TH180.STP07
SPRINGS & CIRCLIPS				
FILTERS				
450F	Pan Filter.....	69-ON	1	TH180.FIL01
MODULATORS				
465F	Modulator (Rover 2600/2300)...	80-ON	1	TH180.MOD03
465F	Modulator (Rover 3500 OEM)...	80-ON	1	TH180.MOD22
465F	Modulator (Adjustable 2 Green Stripes).....	69-ON	1	TH180.MOD03
465F	Modulator (Blue Stripe).....	1979	1	TH180.MOD05
BANDS				
500E	Low (New not Reline).....	69-ON	1	TH180.BAN01
BUSHES				
Kit	Bush Kit.....	69-ON	1	TH180.BK01
550A	Converter Housing (Pump)	69-ON	1	TH180.BUS01
550A	Converter Housing (PTFE Lined) (Sonnax® Click here for Info) ..	69-ON	1	TH180.BUS02
552C	2nd Clutch Drum.....	69-ON	1	TH180.BUS05
553E	Reaction Sun Gear/Band Drum	69-ON	1	TH180.BUS04
554F	Casing Rear.....	69-ON	1	TH180.BUS09
555G	Extension Housing.....	69-ON	1	TH350.BUS09
NI	Low Servo Pin Bore Repair Bush (Use With TOOL.114).....	69-ON	1	4L30E.BUS04

TH180, TH180C (THM3L30, MD-2)

3 SPEED RWD With & Without Lock Up



AUTOMATIC CHOICE



THE AUTOMATIC TRANSMISSION PARTS WAREHOUSE

ILL NO.	DESCRIPTION	YEARS	QTY	PART NO
BUSHES Cont...				
NI	Repair Sleeve, Low Servo Pin Bore Requires Tool AOD.BUS14 and Universal Fixture TOOL.229 (Sonnax® Click here for Info) ...	80-93	1	AOD.BUS13
Kit	Toolkit for AOD.BUS13.....	80-93	1	AOD.BUS14
THRUST WASHERS & BEARINGS				
Kit	Thrust Repair Kit & Selective Shim Kit (Replaces 3 tab PumpWashers to correct end play if parts have been machined, or OEM plastic washers are not thick enough)	69-ON	1	TH180.TK02
600A	Pump Selective Thrust With 3 Tabs (1.75mm "Red")	69-ON	AR	TH180.THW01
	(1.96mm "Black")	69-ON	AR	TH180.THW02
	(2.13mm "White")	69-ON	AR	TH180.THW03
	(2.34mm "Green")	69-ON	AR	TH180.THW04
	(2.54mm "Blue")	69-ON	AR	TH180.THW06
HARD PARTS				
800A	Pump Assy (Non Lock Up).....	69-ON	1	TH180.PUM02
800A	Pump Assy (Lock Up)	80-ON	1	TH180.PUM03
800A	Pump Assy (Rover Only).....	69-ON	1	TH180.PUM01
802A	Pump Gear Set, (15.90mm (0.626")Thick)	69-ON	1	TH180.PUM04
814D	Sprag, 3rd Clutch (26 Elements).....	69-ON	1	TH180.OWC01
SUNDRY PARTS				
NI	Converter Bolt (Metric).....	78-ON	3	TH180.NUT01
TOOLS & MANUALS				
Click here to view special tools for this transmission				

ILL NO.	DESCRIPTION	YEARS	QTY	PART NO
---------	-------------	-------	-----	---------