

TH125, 125C. (THM3T40, M34)

3 SPEED FWD

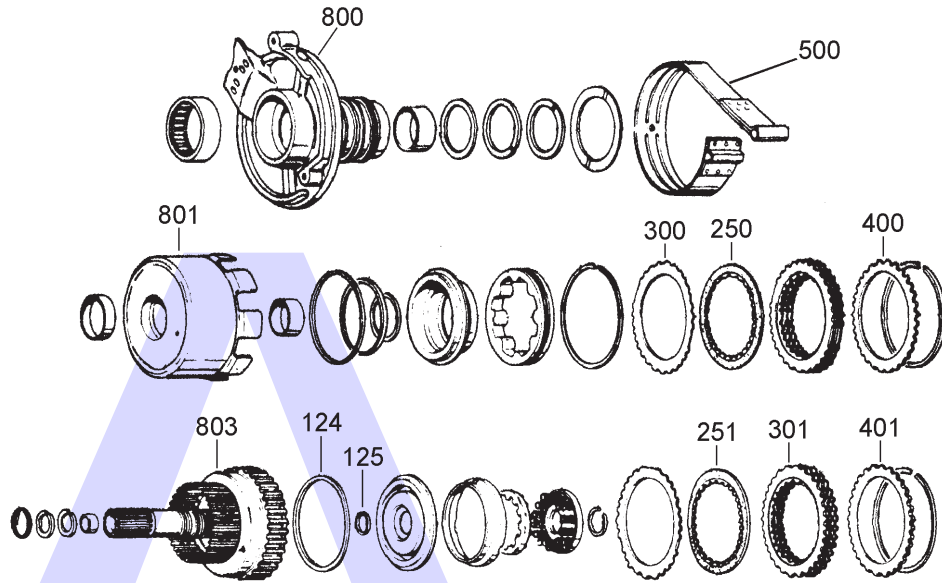


AUTOMATIC CHOICE



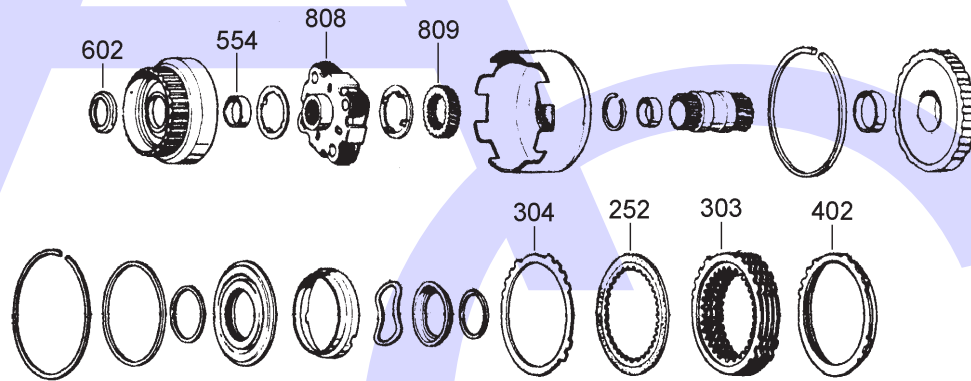
THE AUTOMATIC TRANSMISSION PARTS WAREHOUSE

A



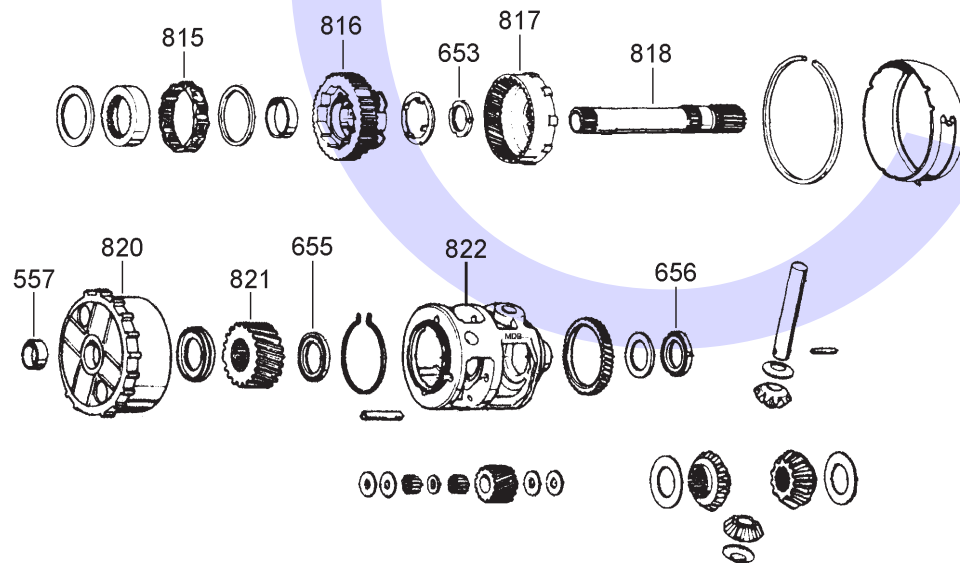
INTERMEDIATE BAND, DIRECT AND FORWARD CLUTCHES

B



FRONT PLANET SET AND LOW REVERSE CLUTCH

C



REAR PLANET AND FINAL DRIVE

TH125, 125C. (THM3T40, M34)

3 SPEED FWD

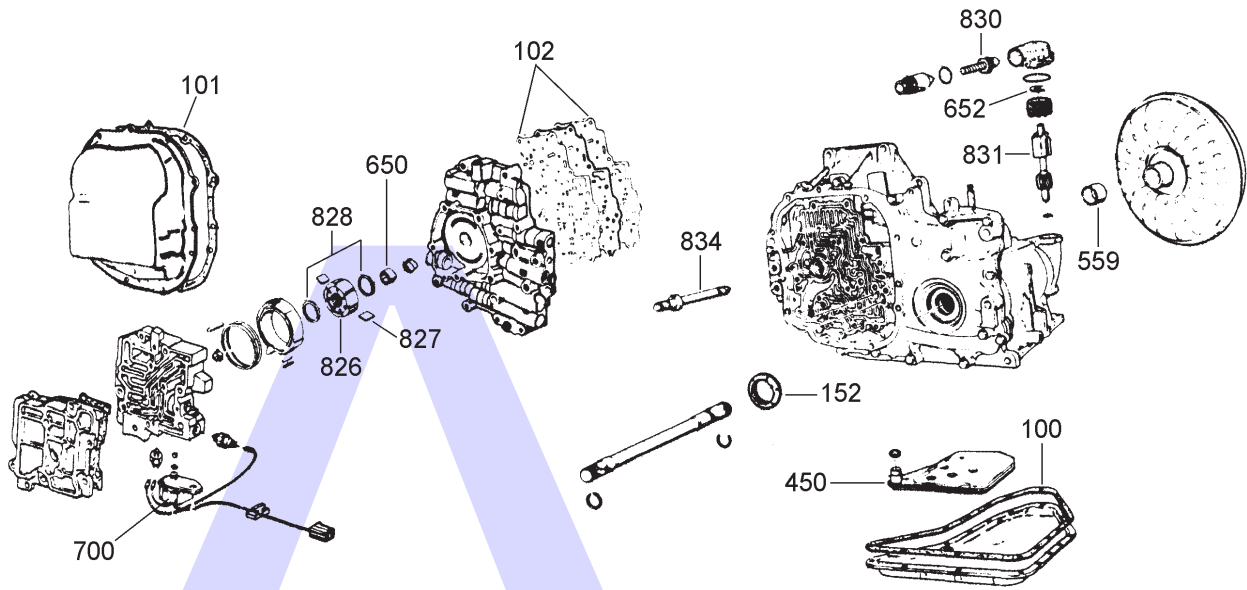


AUTOMATIC CHOICE



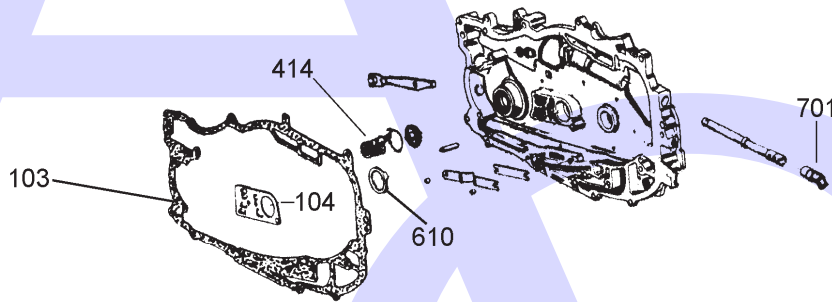
THE AUTOMATIC TRANSMISSION PARTS WAREHOUSE

D



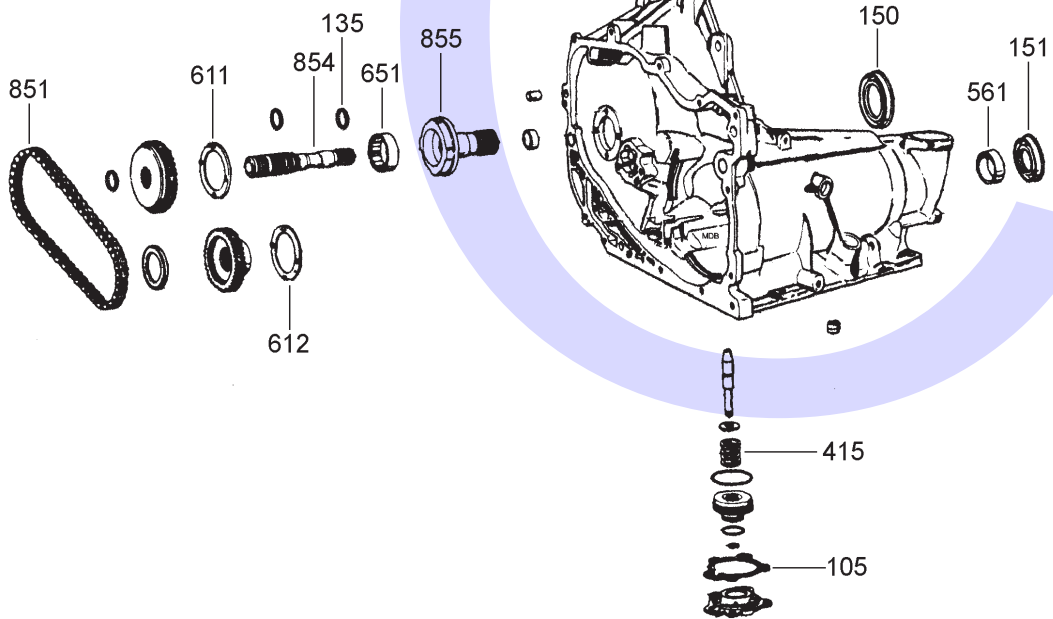
VALVE BODY AND PUMP

E



CHAIN COVER

F



CASE, DRIVE CHAIN AND SERVO

TH125, 125C. (THM3T40, M34)

3 SPEED FWD



AUTOMATIC CHOICE



THE AUTOMATIC TRANSMISSION PARTS WAREHOUSE

ILL NO.	DESCRIPTION	YEARS	QTY	PART NO
KITS				
Kit	Overhaul Kit	80-ON	1	TH125.OHK01
Kit	Overhaul Kit (Precision)	80-ON	1	TH125.OHK51
Kit	Gasket & Rubber Kit	80-ON	1	TH125.GSK01
GASKETS				
100D	Pan Gasket	80-ON	1	TH125.GAS01
101D	Valve Body Cover Gasket (Cork)	80-ON	1	TH125.GAS02
101D	Valve Body Cover Gasket (Fibre)	80-ON	1	TH125.GAS12
102D	Valve Body Gasket	80-ON	2	TH125.GAS03
103E	Case to Case Gasket	80-ON	1	TH125.GAS04
104E	Centre Case Gasket	80-ON	1	TH125.GAS05
105F	Inter Servo Cover Gasket	80-ON	1	TH125.GAS06
RUBBER COMPONENTS				
124A	Fwd Clutch Outer Lip Seal	80-ON	1	TH125.LIP01
125A	Fwd Clutch Inner Lip Seal	80-ON	1	TH125.LIP02
135F	Turbine Shaft 'O' Ring (Green Coated)	80-ON	1	TH125.OR01
NI	Filler Tube Seal Multi Lip	80-ON	1	TH125.LIP03
METAL CLAD SEALS				
150F	Converter Seal	80-ON	1	TH125.MCS01
151F	Axle Right Hand	80-ON	1	TH125.MCS02
152D	Axle Left Hand	80-ON	1	TH125.MCS02
153F	Cup Plug/Seal Low/Rev Clutch	80-ON	1	TH125.PLU01
NI	Manual Shaft Seal	80-ON	1	4L30E.MCS04
NI	Axle Stabilizer Seal	80-ON	1	TH125.MCS94
SHAFT SEALING RINGS				
Kit	Shaft Sealing Ring (Teflon)	80-ON	1	TH125.SRK01
FRICTION PLATES				
Kit	Friction Plate	80-84	1	TH125.FRK01
Kit	Friction Plate (Alto)	80-84	1	TH125.FRK51
Kit	Friction Plate	85-ON	1	TH125.FRK02
Kit	Friction Plate (Alto)	85-ON	1	TH125.FRK52
250A	Direct (2.00mm x 32T)	80-84	4	TH125.FRP01
250A	Direct (1.85mm x 32T)	85-ON	5	TH125.FRP03
251A	Forward (2.00mm x 32T)	80-84	4	TH125.FRP01
251A	Forward (1.85mm x 32T)	85-ON	5	TH125.FRP03
252B	Low & Reverse (2.10mm x 40T)	80-84	5	TH125.FRP02
252B	Low & Reverse (2.30mm x 40T)	84-ON	5	TH125.FRP04
STEEL PLATES				
Kit	Steel Plate	80-84	1	TH125.STK01
Kit	Steel Plate (Alto)	80-84	1	TH125.STK51
Kit	Steel Plate	85-ON	1	TH125.STK02
Kit	Steel Plate (Alto)	85-ON	1	TH125.STK52
300A	Direct (2.30mm x 24T)	80-ON	4	TH125.STP03
301A	Forward Flat (1.90mm x 26T) ...	80-ON	3	TH125.STP01
303B	Low & Reverse (2.00mm x 11T)	80-84	4-5	TH125.STP02
303B	Low & Reverse (2.25mm x 11T)	85-ON	4	TH125.STP04
304B	Low & Rev Waved TH125C	82-ON	1	TH125.STP05

ILL NO.	DESCRIPTION	YEARS	QTY	PART NO
PRESSURE PLATES				
400A	Direct Clutch (4.60mm Thick) ...	80-ON	AR	TH125.PP02
401A	Forward Clutch (4.60mm Thick)	80-ON	AR	TH125.PP02
402B	Low & Reverse Brake	80-ON	1	TH125.PP01
SPRINGS & CIRCLIPS				
414E	Spring, 1-2 Accumulator (Purple)	80-85	1	TH125.SPR02
	414E..... Spring, 1-2 Accumulator (Purple) Has Thicker Coils Than SPR02	85-ON	1	TH125.SPR03
415F	Intermediate Servo Spring	80-ON	1	TH125.SPR01
FILTERS				
450D	Filter - Oil Pan	80-ON	1	TH125.FIL01
NI	Filter - Governor	80-ON	1	TH125.FIL02
BANDS				
500A	Band (Narrow)	80-81	1	TH125.BAN02
500A	Band (Wide)	82-ON	1	TH125.BAN01
500A	Band (Wide) (Borg Warner)	82-ON	1	TH125.BAN11
BUSHES				
Kit	Bush Kit	80-ON	1	TH125.BK01
554B	Front Ring Gear Bush	80-ON	1	TH125.BUS05
557C	Final Drive Ring Gear	80-ON	1	TH125.BUS03
558D	Channel Plate Sleeve	80-ON	1	TH125.BUS04
559D	Converter Bush TH125	80-ON	1	TH125.BUS01
559D	Converter Bush TH125C	82-ON	1	TH125.BUS02
561F	Case Bush	80-ON	1	TH125.BUS03
THRUST WASHERS & BEARINGS				
Kit	Thrust Washer Kit	80-ON	1	TH125.TK01
Kit	Final Drive Washer Kit	80-ON	1	TH125.TWK01
600A	Dir Drum to Support Thrust	80-ON	1	TH125.THW04
602B	Forward Drum to Hub (26.60mm ID Plastic)	80-87	1	TH125.THW05
610E	Drive Sprocket to Case Cover Thrust	80-ON	1	TH125.THW01
611F	Drive Sprocket/ Support Thrust	80-ON	1	TH125.THW02
612F	Driven Sprocket to Support	80-ON	1	TH125.THW03
650D	Pump Shaft Bearing	80-05/84	1	TH125.BE01
650D	Pump Shaft Bearing	06/84-ON	1	TH125.BE02
651F	Bearing Converter Reactor	80-ON	1	TH125.THW15
652D	Bearing - Speedo Gear/Hsing	80-ON	1	TH125.BE03
653C	Sungear / Inter Gear Bearing	80-ON	1	TH125.THW13
655C	Final Drive Sungear to Diff Carrier Bearing	82-ON	1	TH125.THW13
656C	Diff Carrier to Case Bearing	82-ON	1	TH125.THW14
NI	Bearing - Axle Stabilizer (Bushing Type)	80-ON	1	TH125.BE04
NI	Bearing - Axle Stabilizer (Both Sides Bearing Type)	80-ON	1	4T65E.BE01

TH125, 125C. (THM3T40, M34)

3 SPEED FWD



AUTOMATIC CHOICE



THE AUTOMATIC TRANSMISSION PARTS WAREHOUSE

ILL NO.	DESCRIPTION	YEARS	QTY	PART NO
ELECTRICAL COMPONENTS				
700D	Lock-up Solenoid Universal (Fitzall)	82-ON	1	TH125.SOL01
700D	Lock Up Solenoid (2 Spades) (3 Wire to Connector).....	82-ON	1	TH125.SOL02
700D	Lock Up Solenoid (4 Spades) (4 Wire to Square Connector) (No Channel Retainer)	82-ON	1	TH125.SOL03
701E	Case Connector (5 Pin Round).	84-ON	1	TH125.ELE01
NI	Switch, 2nd Clutch Pressure (3 Prong).....	87-ON	1	TH125.ELE08
NI	Switch, 3rd Clutch Pressure (1 Button Prong).....	89-ON	1	TH125.ELE03
NI	Switch, 3rd Clutch Pressure (2 Button Prong).....	82-ON	1	TH125.ELE05
NI	Switch 3rd Clutch Pressure (Push In)	80-ON	1	TH125.ELE07
NI	Switch, Governor Pressure (46-50 PSI) (2 Blade).....	80-ON	1	TH125.ELE02
NI	Switch (Lock Up Delay).....	80-ON	1	TH125.ELE06
VALVE BODY PARTS				
Kit	Shift Kit.....	80-ON	1	TH125.SK01
HARD PARTS				
800A	Support, Driven Sprocket.....	82-ON	1	TH125.GE02
801A	Direct Clutch Drum.....	80-84	1	TH125.DRU04
801A	Direct Clutch Drum.....	85-ON	1	TH125.DRU03
803A	Forward Clutch Drum (With Check Ball)	80-81	1	TH125.DRU02
803A	Forward Clutch Drum (Uses 26.60mm ID Washer)	85-86	1	TH125.DRU01
808B	Front Planetary Assembly	80-ON	1	TH125.PL01
809B	Sun Gear, Input (Front Planet)..	80-ON	1	TH125.GE03
815C	Low One Way Clutch Assy.....	80-ON	1	TH125.OWC01
816C	Rear Planetary Assy	80-ON	1	TH125.PL02
817C	Ring Gear (Rear Planetary)	80-ON	1	TH125.PL03
818C	Intermediate Sun Gear Shaft (Final Drive)	80-ON	1	TH125.SH04
820C	Final Drive Ring Gear	80-ON	1	TH125.GE01
821C	Sun Gear, Final Drive 30 Teeth.	80-ON	1	TH125.GE06
821C	Sun Gear, Final Drive 34 Teeth.	80-ON	1	TH125.GE05
821C	Sun Gear, Final Drive 38 Teeth.	80-ON	1	TH125.GE04
822C	Final Drive (3.06:1 Ratio)	80-ON	1	TH125.DIFF01
822C	Final Drive (3.33:1 Ratio)	80-ON	1	TH125.DIFF02
826D	Rotor, 15 Spline (18mm Thick) .	80-ON	1	TH125.PUM01
827D	Pump Vane	80-ON	7	TH125.PUM02
828D	Ring, Pump Rotor to Vanes	80-ON	2	TH125.PUM03
830D	Gear, Speedo Driven (28T).....	80-ON	1	TH125.GE07
831D	Governor Assy	80-ON	1	TH125.GOV01
834D	Pump Shaft (190.50mm x 20 Spline).....	80-81	1	TH125.SH05
834D	Pump Shaft Conversion (190.50mm x 15 Spline).....	80-81	1	TH125.SH06
834D	Pump Shaft (Thick Washer).....	82-84	1	TH125.SH01
834D	Pump Shaft (Thin Washer)	84-ON	1	TH125.SH02
851F	Drive Chain 19mm Wide	80-83	1	TH125.CH01
851F	Drive Chain 22mm Wide	84-ON	1	TH125.CH02
854F	Turbine Shaft	82-ON	1	TH125.SH03
855F	Stator Support	82-ON	1	TH125.SUP01

ILL NO.	DESCRIPTION	YEARS	QTY	PART NO
SPECIAL ITEMS				
NI	Throttle Cable (OEM Type).....	80-ON	1	TH125.CAB01
NI	"Fitz All" Multi Fit Throttle Cable	80-ON	1	TH700.CAB01
TOOLS & MANUALS				
NI	ATSG Repair Manual		AR	TH125.MAN01
Click here to view special tools for this transmission				