

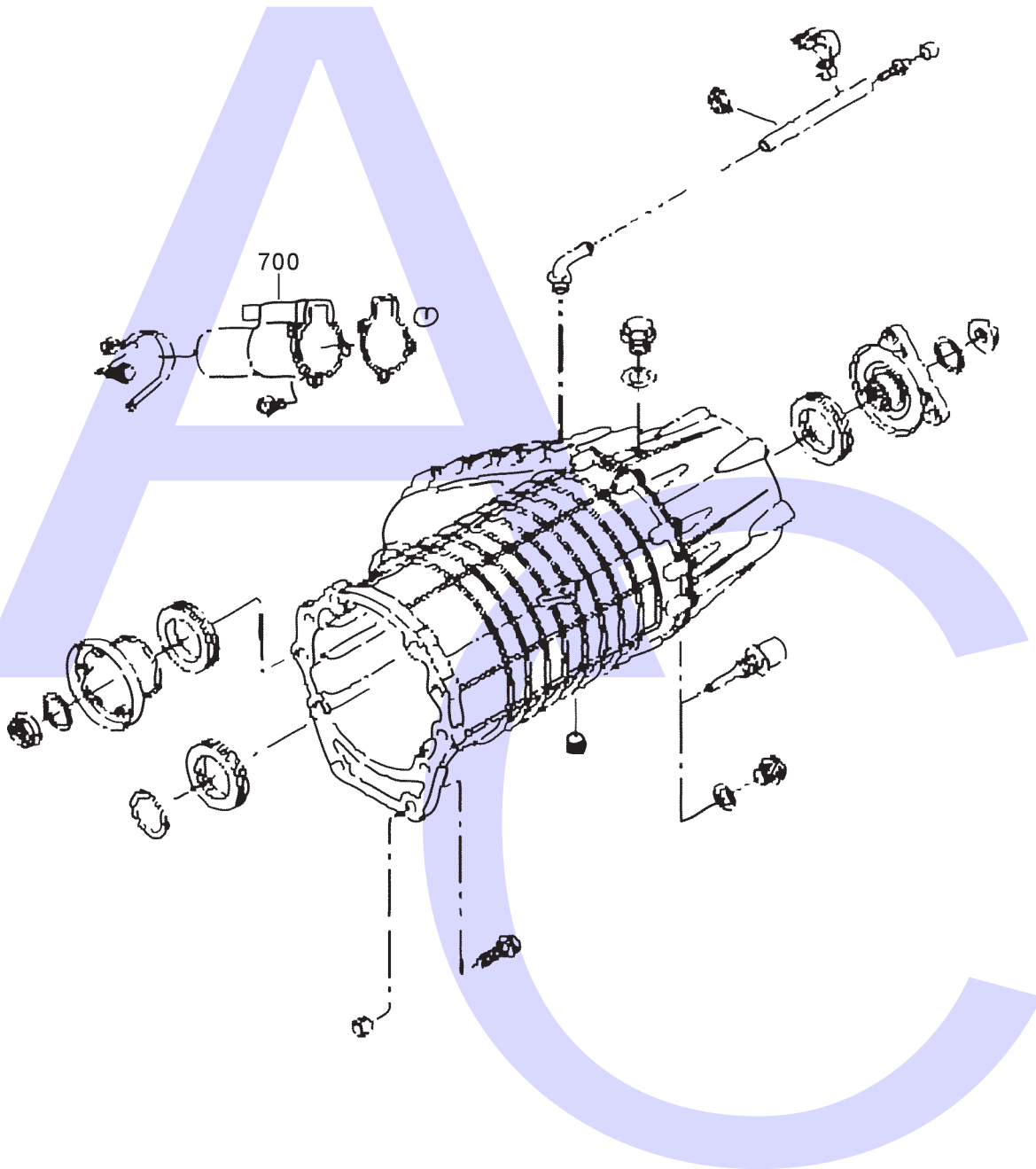
NV 235 (VW Touareg, Porsche Cayenne) Full Time 4WD With Centre Diff & Active Clutch System



A
U
T
O
M
A
T
I
C
C
H
O
I
C
E



T
H
E
A
U
T
O
M
A
T
I
C
T
R
A
N
S
M
I
S
S
I
O
N
P
A
R
T
S
W
A
R
E
H
O
U
S
E



NVG 235 (VW Touareg, Porsche Cayenne)

Full Time 4WD With Centre Diff & Active Clutch System



AUTOMATIC CHOICE



THE AUTOMATIC TRANSMISSION PARTS WAREHOUSE

ILL NO.	DESCRIPTION	YEARS	QTY	PART NO
MASTER OVERHAUL KITS				
OVERHAUL GASKET AND SEAL KITS				
Kit	Gasket & Seal Kit.....	03-ON	1	YNVG235.GSK01
GASKET & RUBBER COMPONENTS				
METAL CLAD SEALS				
CLUTCH PLATES				
NI	Friction Plate (Internal Spline) (126.7mm OD x 1.65mm x 50T)	03-ON	7	YNVG235.FRP51
NI	Friction Plate (External Spline) (96.9mm ID x 1.65mm x 16T) ...	03-ON	7	YNVG235.FRP52
BUSHINGS, BEARINGS & WASHERS				
DRIVE CHAINS				
NI	Drive Chain	03-ON	1	YNVG235.CH01
ELECTRICAL COMPONENTS				
700	Shift Motor Assembly	03-ON	1	YNVG235.ELE01
HARD PARTS				
MOUNTINGS				
TRANSFER CASE ASSY'S				
Unit	Transfer Case Assembly (Touareg 2.5 TDi) (Electric Motor not Included)			
	Vehicle Details Required.....	03-ON	1	YNVG235.ASSY01
Unit	Transfer Case Assembly (Touareg 2.5L TDi, 6AT & 6MT, 3.0L TDi V6, 3.2L V6, 3.6L FSi V6, 6MT) (Electric Motor not Included)			
	Vehicle Details Required.....	03-ON	1	YNVG235.ASSY07

ILL NO.	DESCRIPTION	YEARS	QTY	PART NO
TRANSFER CASE ASSY'S Cont...				
Unit	Transfer Case Assembly (Touareg 3.0L TDi V6, 4.2L V8, 4.9L & 5.0L TDi V10, 6AT) (Electric Motor not Included)			
	Vehicle Details Required.....	02-ON	1	YNVG235.ASSY06
Unit	Transfer Case Assembly Reman (Touareg 3.0L TDi V6, 4.2L V8, 4.9L & 5.0L TDi V10, 6AT) (Electric Motor not Included)			
	Vehicle Details Required.....	02-ON	1	YNVG235.ASSY06A
Unit	Transfer Case Assembly (Touareg 3.2L V6, 3.6L FSi V6, 6AT) (Electric Motor not Included)			
	Vehicle Details Required.....	03-ON	1	YNVG235.ASSY08
Unit	Transfer Case Assembly Reman (Touareg 3.2L V6, 3.6L FSi V6, 6AT) (Electric Motor not Included)			
	Vehicle Details Required.....	03-ON	1	YNVG235.ASSY08A
Unit	Transfer Case Assembly (Porsche Cayenne 4.5 S Tiptronic, Turbo & Turbo S Tiptronic, 6AT) (4.8 GTS Tiptronic, S Tiptronic, Turbo & Turbo S Tiptronic, 8AT) (Electric Motor not Included)			
	Vehicle Details Required.....	02-ON	1	YNVG235.ASSY02
Unit	Transfer Case Assembly Reman (Porsche Cayenne 4.5 S Tiptronic, Turbo & Turbo S Tiptronic, 6AT) (4.8 GTS Tiptronic, S Tiptronic, Turbo & Turbo S Tiptronic, 8AT) (Electric Motor not Included)			
	Vehicle Details Required.....	02-ON	1	YNVG235.ASSY02A
Unit	Transfer Case Assembly (Porsche Cayenne 4.5L S, Turbo & Turbo S, 6MT) (Electric Motor not Included)			
	Vehicle Details Required.....	02-ON	1	YNVG235.ASSY03
Unit	Transfer Case Assembly Reman (Porsche Cayenne 4.5L S, Turbo & Turbo S, 6MT) (Electric Motor not Included)			
	Vehicle Details Required.....	02-ON	1	YNVG235.ASSY03A
Unit	Transfer Case Assembly (Porsche Cayenne 3.2L & 3.6L V6, 6MT) (Electric Motor not Included)			
	Vehicle Details Required.....	02-ON	1	YNVG235.ASSY04
Unit	Transfer Case Assembly, Reman (Porsche Cayenne 3.2L Tiptronic, 6AT & 3.6L Tiptronic, 8AT) (Electric Motor not Included)			
	Vehicle Details Required.....	02-ON	1	YNVG235.ASSY05A
TOOLS & MANUALS				