

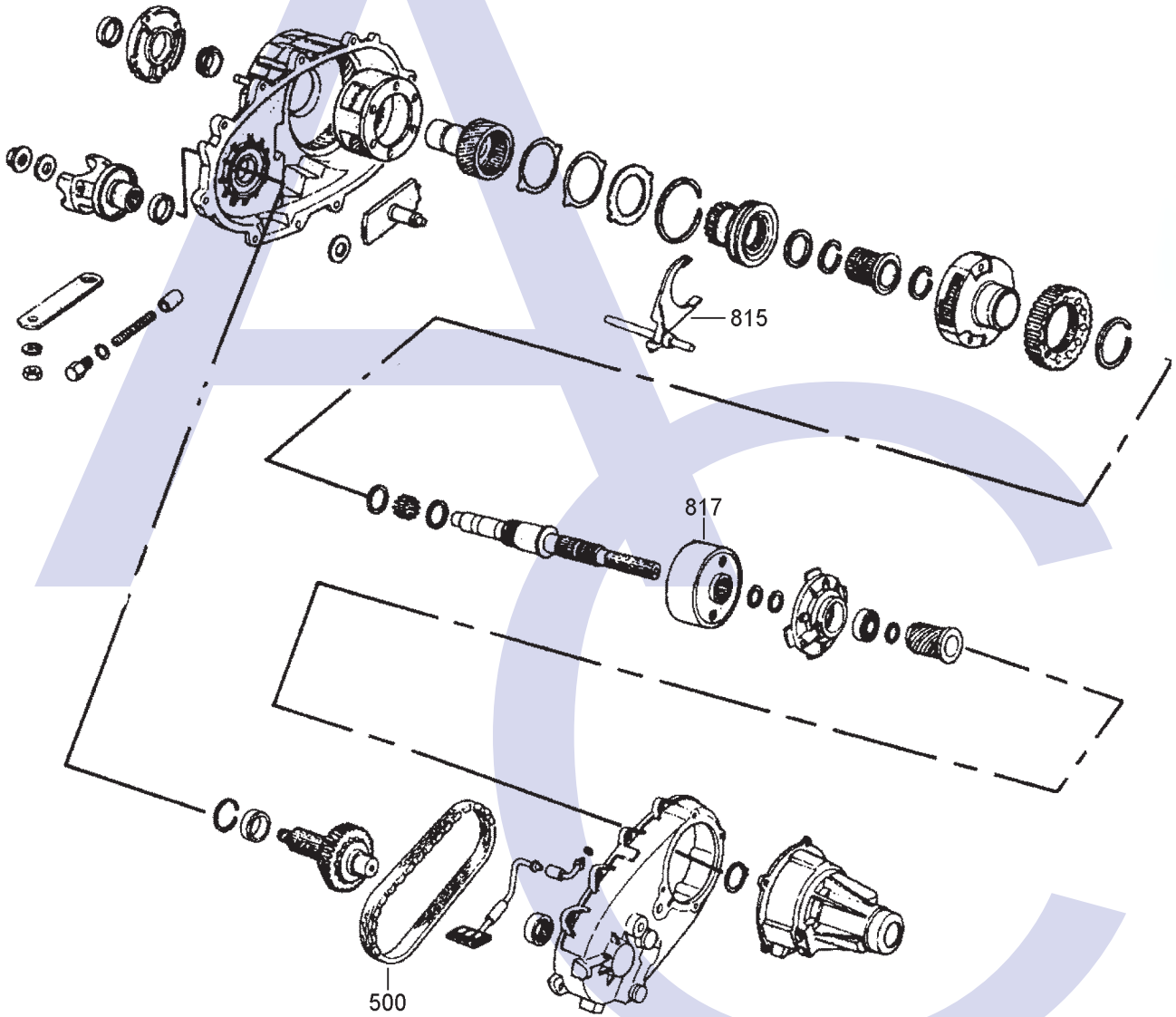
# NEW PROCESS MODEL 249 GRAND CHEROKEE 92-ON



AUTOMATIC CHOICE



THE AUTOMATIC TRANSMISSION PARTS WAREHOUSE



# NEW PROCESS MODEL 249

## GRAND CHEROKEE 92-ON



AUTOMATIC CHOICE



THE AUTOMATIC TRANSMISSION PARTS WAREHOUSE

ILL NO.	DESCRIPTION	YEARS	QTY	PART NO
<b>MASTER OVERHAUL KITS</b>				
<b>OVERHAUL GASKET AND SEAL KITS</b>				
Kit	Gasket & Seal Kit.....	92-98	1	YNP242.GSK01
<b>GASKET &amp; RUBBER COMPONENTS</b>				
<b>METAL CLAD SEALS</b>				
<b>BUSHINGS, BEARINGS &amp; WASHERS</b>				
<b>DRIVE CHAINS</b>				
500	Drive Chain (31.75mm Wide x 46 Links) .....	92-ON	1	NLA
<b>ELECTRICAL COMPONENTS</b>				
<b>HARD PARTS</b>				
815	Range Fork (Replaces Aluminium Fork Only) .....	92-ON	1	YNP247.SEL01
817	Viscous Coupling (Exchange)...	92-ON	1	YNP249.VC01
<b>MOUNTINGS</b>				
<b>TRANSFER CASE ASSY'S</b>				
<b>TOOLS &amp; MANUALS</b>				

ILL NO.	DESCRIPTION	YEARS	QTY	PART NO
---------	-------------	-------	-----	---------