

Borg Warner Model 4416

Ford Expedition, F150 (2002-)

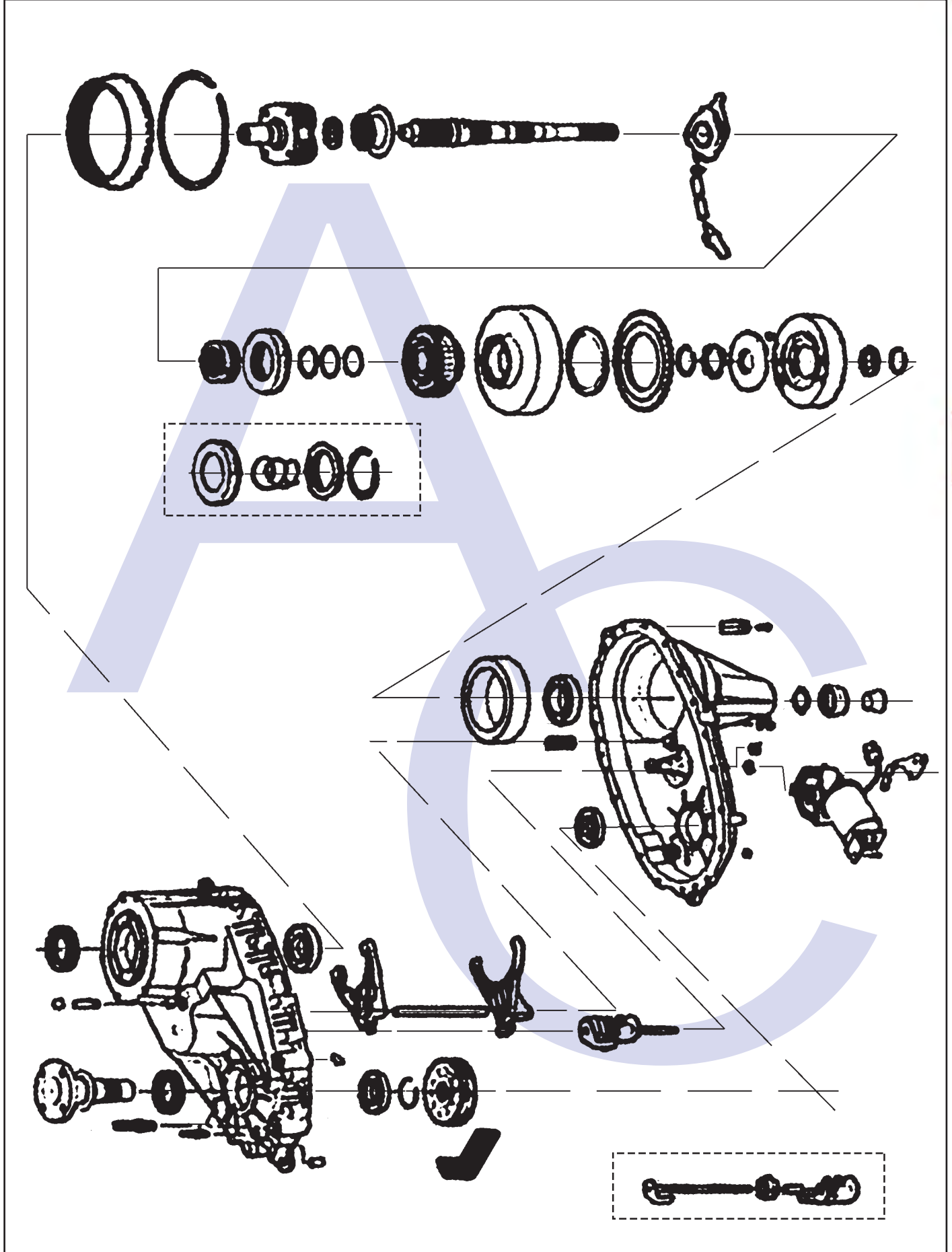
2 Speed Torque on Demand Transfer Case



AUTOMATIC CHOICE



THE AUTOMATIC TRANSMISSION PARTS WAREHOUSE



Borg Warner Model 4416

Ford Expedition, F150 (2002-)

2 Speed Torque on Demand Transfer Case



A
U
T
O
M
A
T
I
C
C
H
O
I
C
E



T
H
E
A
U
T
O
M
A
T
I
C
T
R
A
N
S
M
I
S
S
I
O
N
P
A
R
T
S
W
A
R
E
H
O
U
S
E

ILL NO.	DESCRIPTION	YEARS	QTY	PART NO
MASTER OVERHAUL KITS				
OVERHAUL GASKET AND SEAL KITS				
GASKET & RUBBER COMPONENTS				
METAL CLAD SEALS				
BUSHINGS, BEARINGS & WASHERS				
DRIVE CHAINS				
ELECTRICAL COMPONENTS				
HARD PARTS				
MOUNTINGS				
TRANSFER CASE ASSY'S				
TOOLS & MANUALS				

ILL NO.	DESCRIPTION	YEARS	QTY	PART NO