

BORG WARNER MODEL 4406

FORD
F150, F250 16 - 98
BRONCO, EXPEDITION 97-98

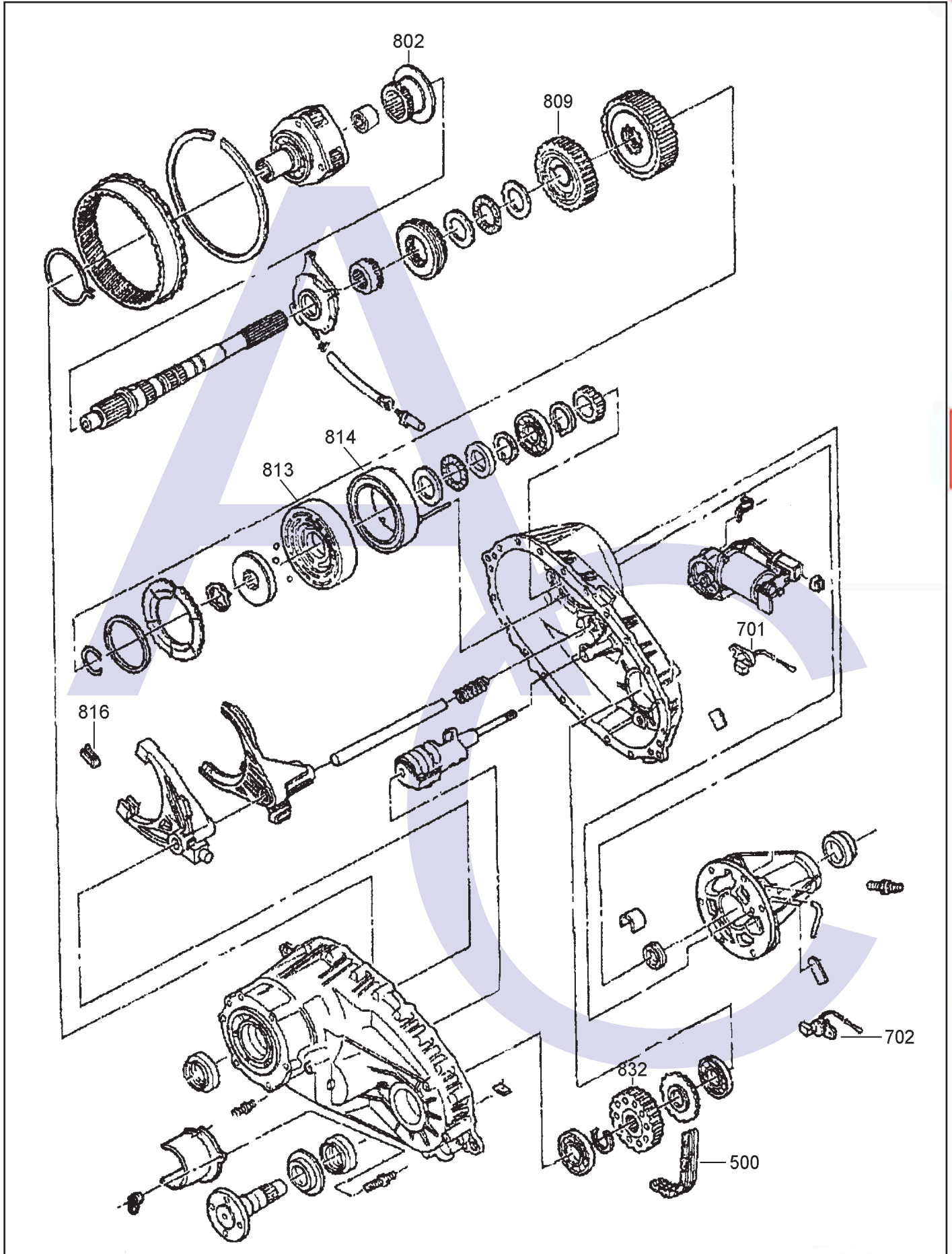
ELECTRIC & MECHANICAL SHIFT



AUTOMATIC CHOICE



THE AUTOMATIC TRANSMISSION PARTS WAREHOUSE





ELECTRIC & MECHANICAL SHIFT

ILL NO.	DESCRIPTION	YEARS	QTY	PART NO
MASTER OVERHAUL KITS				
OVERHAUL GASKET AND SEAL KITS				
Kit	Gasket & Seal	96-ON	1	YBW1356.GSK01
GASKET & RUBBER COMPONENTS				
METAL CLAD SEALS				
Kit	Metal Clad Oil Seal Kit	96-ON	1	YBW4406.OSK01
BUSHINGS, BEARINGS & WASHERS				
DRIVE CHAINS				
500	Drive Chain Round Pin (Non Torque on Demand)	96-ON	1	YBW4406.CH01
500	Drive Chain Rocker Joint (Torque on Demand)	96-ON	1	YBW4406.CH02
500	Drive Chain (F150, F250)	98-ON	1	YBW4406.CH03
ELECTRICAL COMPONENTS				
701	Upper Speed Sensor (Explorer)	92-ON	1	YBW4405.ELE03
702	Lower Speed Sensor Explorer)	92-ON	1	YBW4405.ELE02
HARD PARTS				
802	Reduction Hub (31 Teeth x 30 Splines)	96-ON	1	YBW4406.HUB01
809	Drive Sprocket (Torque on Demand Only).....	96-ON	1	YBW4406.GE02
813	Coil Assembly Housing	96-ON	1	YBW4406.DRU03
814	Coil Assembly	96-ON	1	YBW4406.DRU04
816	Wear Pad, Selector Fork.....	96-ON	2	YBW4406.SEL01
832	Driven Sprocket (Torque on Demand)	96-ON	1	YBW4406.GE01

ILL NO.	DESCRIPTION	YEARS	QTY	PART NO
MOUNTINGS				
TRANSFER CASE ASSY'S				
TOOLS & MANUALS				

AUTOMATIC CHOICE



THE AUTOMATIC TRANSMISSION PARTS WAREHOUSE