

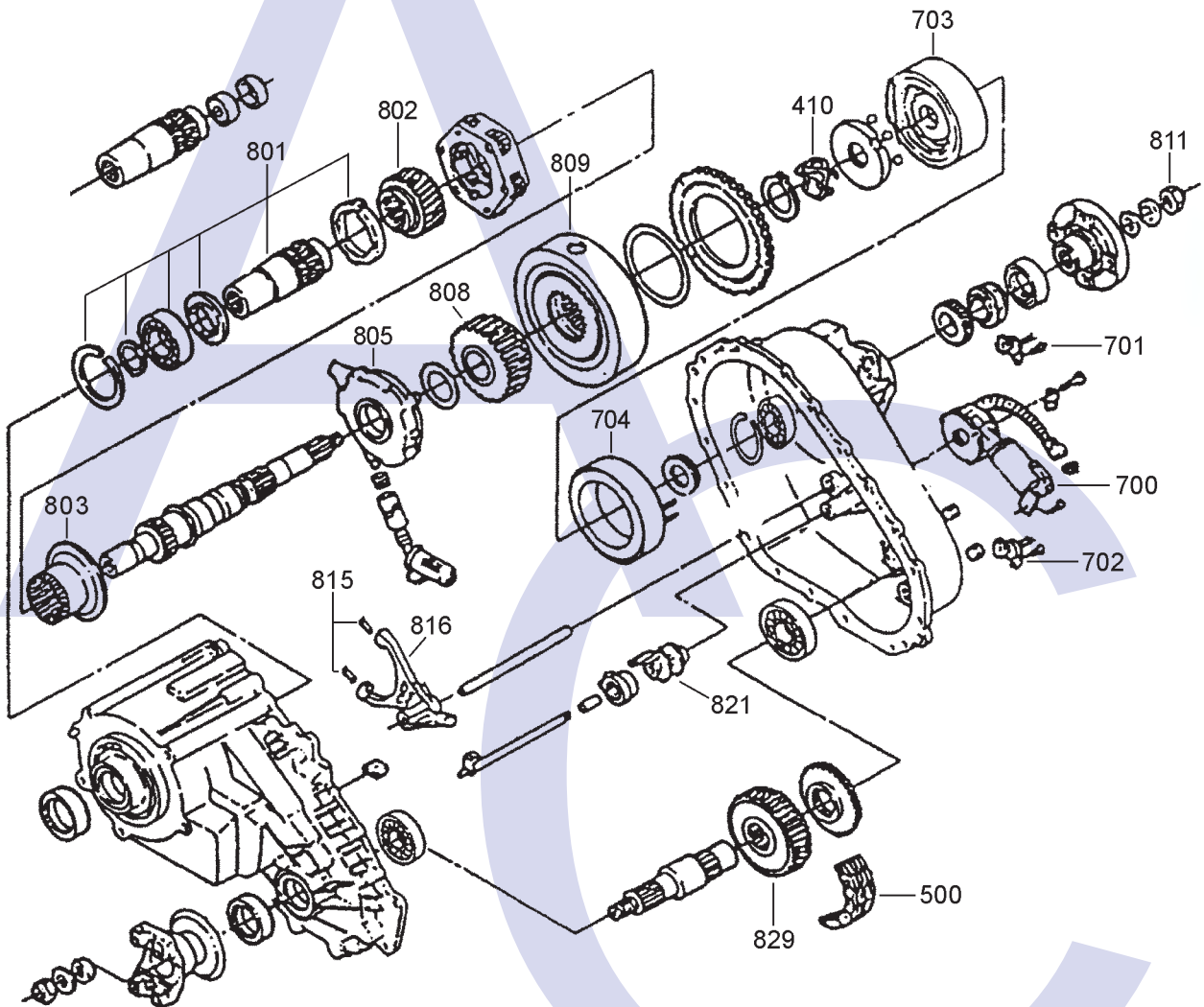
ELECTRIC SHIFT



AUTOMATIC CHOICE



THE AUTOMATIC TRANSMISSION PARTS WAREHOUSE



## ELECTRIC SHIFT



AUTOMATIC CHOICE



THE AUTOMATIC TRANSMISSION PARTS WAREHOUSE

ILL NO.	DESCRIPTION	YEARS	QTY	PART NO
<b>MASTER OVERHAUL KITS</b>				
<b>OVERHAUL GASKET AND SEAL KITS</b>				
Kit	Gasket & Seal Kit.....	92-ON	1	YBW4405.GSK01
<b>GASKET &amp; RUBBER COMPONENTS</b>				
<b>METAL CLAD SEALS</b>				
<b>SPRINGS &amp; CIRCLIPS</b>				
410	Wave Spring, Magnetic Clutch Return .....	92-ON	1	YBW4405.SPR01
<b>BUSHINGS, BEARINGS &amp; WASHERS</b>				
<b>DRIVE CHAINS</b>				
500	Drive Chain (31.75mm Wide x 37 Links) .....	92-ON	1	YBW4405.CH01
500	Drive Chain Explorer (With Torque on Demand) 09/98-09/00	09/98-09/00	1	YBW4405.CH02
<b>ELECTRICAL COMPONENTS</b>				
700	Shift Motor (Explorer).....	92-ON	1	YBW4405.ELE01
701	Upper Speed Sensor (Explorer)	92-ON	1	YBW4405.ELE03
702	Lower Speed Sensor Explorer)	92-ON	1	YBW4405.ELE02
703	Coil Housing.....	92-ON	1	YBW4405.ELE04
704	Electronic Coil Assembly.....	92-ON	1	YBW4405.ELE05
<b>HARD PARTS</b>				
801	Input Shaft Assy .....	92-ON	1	YBW4405.SH01
802	Reduction Sun Gear .....	92-ON	1	YBW4405.SUN01
803	Reduction Hub .....	92-ON	1	YBW4405.HUB01
805	Gerotor Pump Assembly .....	92-ON	1	YBW4405.PUM01
808	Drive Sprocket Explorer .....	92-98	1	YBW4405.GE02
808	Drive Sprocket Explorer	09/98-09/00	1	YBW4405.GE04
809	Clutch Assy Complete (Explorer) .....	92-ON	1	YBW4405.DRU01
811	Nut, Flange (Explorer).....	92-ON	2	YBW4405.NUT01
815	Shift Fork Insert.....	92-ON	1	YBW4408.PIN01
816	Range Fork With Pads (Explorer) .....	92-ON	1	YBW4405.SEL01
821	Electric Shift Cam .....	92-ON	1	YBW4405.CAM01
829	Driven Sprocket Explorer .....	92-98	1	YBW4405.GE01
829	Driven Sprocket Explorer	09/98-09/00	1	YBW4405.GE03

ILL NO.	DESCRIPTION	YEARS	QTY	PART NO
<b>MOUNTINGS</b>				
<b>TRANSFER CASE ASSY'S</b>				
NI	Rebuilt Transfer Box Assy (Electronic Speed Sensor) .....	92-ON	1	YBW4405.008