

# NISSAN RL4F03A/V, RE4F03A/B/V

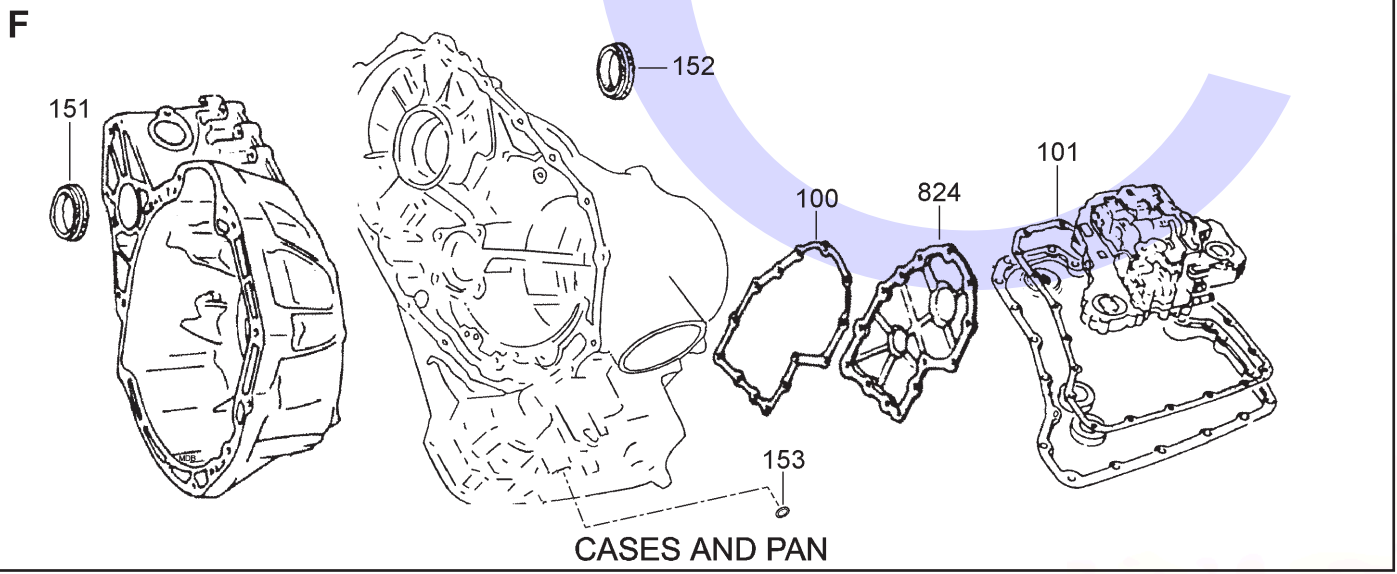
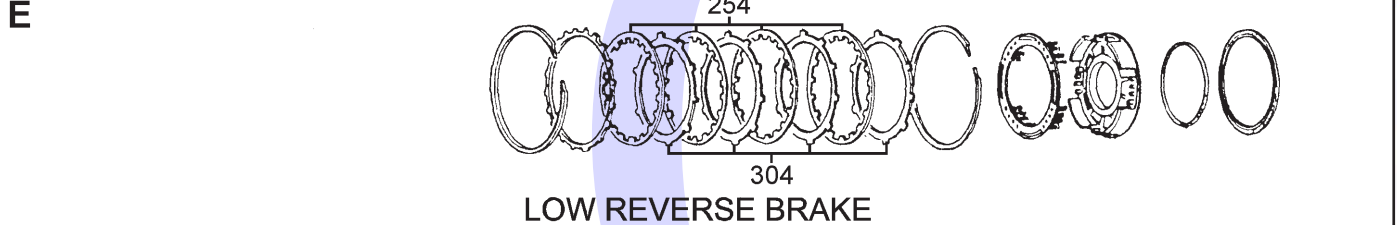
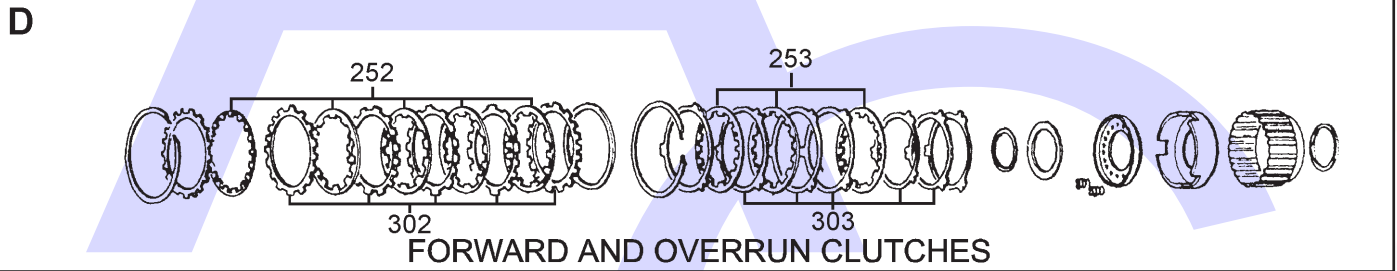
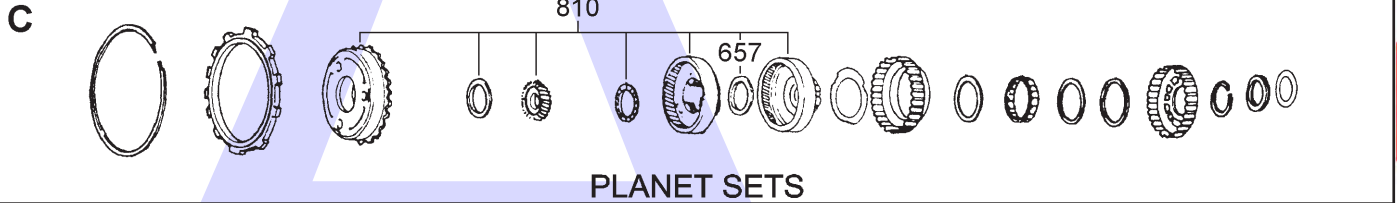
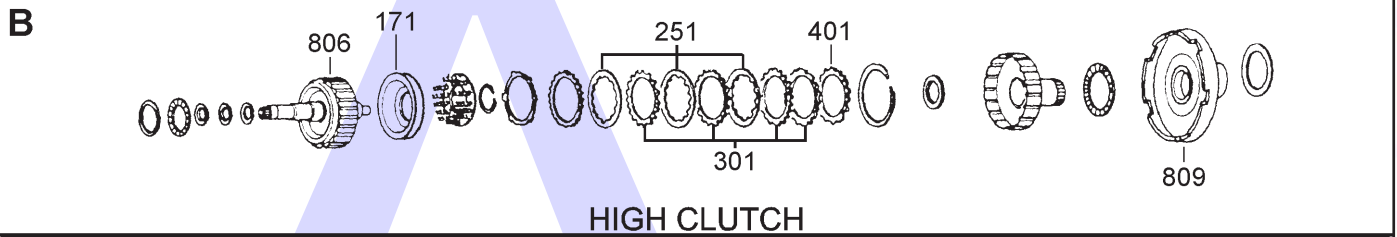
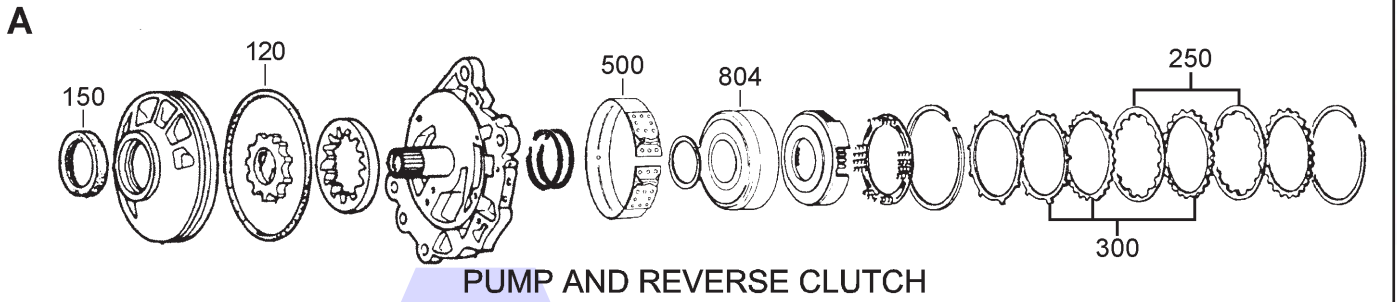
## 4 SPEED FWD (Electronic & Hydraulic Control)



AUTOMATIC CHOICE



THE AUTOMATIC TRANSMISSION PARTS WAREHOUSE



# NISSAN RL4F03A/V, RE4F03A/B/V

## 4 SPEED FWD (Electronic & Hydraulic Control)



AUTOMATIC CHOICE



THE AUTOMATIC TRANSMISSION PARTS WAREHOUSE

ILL NO.	DESCRIPTION	YEARS	QTY	PART NO
<b>KITS</b>				
Kit	Overhaul Kit (Transtec).....	91-ON	1	RL43.OHK01
Kit	Overhaul Kit (AM) .....	91-ON	1	RL43.OHK03
Kit	Overhaul Kit Micra (Transtec) (With Duraprene Pan Gasket)...	04-ON	1	RL43.OHK02
Kit	Overhaul Kit (Precision).....	91-ON	1	RL43.OHK53
Kit	Valve Body Gasket Kit .....	93-99	1	RL4.GK03
Kit	Valve Body Gasket Kit .....	00-ON	1	RL4.GK04
<b>GASKETS</b>				
100F	Side Cover Gasket.....	91-99	1	RL43.GAS02
100F	Side Cover Gasket.....	00-ON	1	RL43.GAS03
101F	Pan Gasket .....	91-ON	1	RL43.GAS01
<b>RUBBER COMPONENTS</b>				
120A	Pump 'O' Ring.....	91-ON	1	RL43.OR01
<b>METAL CLAD SEALS</b>				
150A	Converter Seal All .....	91-ON	1	RL43.MCS01
151F	Axle Seal R/H Side 1.6 .....	91-ON	1	RL43.MCS02
151F	Axle Seal R/H Side 2.0 .....	91-ON	1	RL43.MCS03
152F	Axle Seal L/H Side 1.6.....	91-ON	1	RL43.MCS02
152F	Axle Seal L/H Side (2.0 Non Viscous) .....	91-ON	1	RL43.MCS02
152F	Axle Seal L/H Side (2.0 Viscous).....	91-ON	1	RL43.MCS04
153F	Selector Shaft .....	91-ON	1	A130.MCS03
<b>MOULDED PISTONS</b>				
171B	Direct/High Clutch (RE4F03B Micra) .....	03-ON	1	RL43.PIS01
NI	Damper Piston Direct/High Clutch (RE4F03B Micra) .....	03-ON	1	RL43.SPR01
<b>FRICTION PLATES</b>				
Kit	Friction Plate Kit.....	91-ON	1	RL43.FRK01
250A	Reverse Input (130mm OD x 1.95mm x 18T) ..	91-ON	2	RL43.FRP01
251B	High/3-4 (2.0Ltr Only) (104mm OD x 1.60mm x 20T) .	91-ON	4	RL43.FRP03
251B	High/3-4 (1.6 Ltr Only) (104mm OD x 2.00mm x 20T) ..	91-ON	3	RL43.FRP02
252D	Forward (126mm OD x 1.80mm x 30T) ..	91-ON	5	RL43.FRP04
253D	Overrun (117mm OD x 1.60mm x 18T)...	91-ON	3	RL43.FRP05
254E	Low & Reverse (150mm OD x 1.95mm x 30T) ..	91-ON	5	RL43.FRP06
254E	Low & Reverse (150mm OD x 2.00mm x 30T) (Different Tooth Profile to FRP06)	97-ON	5	RL43.FRP07
<b>STEEL PLATES</b>				
Kit	Steel Plate (Aftermarket) (RL4F03A/V 1.6, 2.0 Ltr).....	91-ON	1	RL43.STK01
Kit	Steel Plate (Alto) (RL4F03A/V 1.6, 2.0 Ltr).....	91-94	1	RL4.STK51

ILL NO.	DESCRIPTION	YEARS	QTY	PART NO
<b>STEEL PLATES Cont...</b>				
Kit	Steel Plate (Alto) (RL4F03A/V 1.6, 2.0 Ltr).....	95-ON	1	RL4.STK52
300A	Reverse Input (118MM ID x 2.00mm x 30T) ....	91-ON	2	RL43.STP01
301B	High/3-4 (RE4F03A/V) (87mm ID x 2.00mm x 18T) .....	91-ON	5	RL43.STP02
301B	High/3-4 (RE4F03A only) (87mm ID x 1.50mm x 18T) .....	91-ON	6	RL43.STP03
302D	Forward (115mm ID x 2.00mm x 30T) ....	91-ON	5	RL43.STP04
303D	Overrun (105mm ID x 2.00mm x 6T) .....	91-ON	5	RL43.STP05
304E	Low & Reverse (139mm ID x 2.00mm x 10T) ....	91-ON	5	RL43.STP06
<b>PRESSURE PLATES</b>				
401B	Pressure Plate High/3-4 (4.60mm Thick) .....	91-ON	1	RL43.PP02
401B	Pressure Plate High/3-4 (4.80mm Thick) .....	91-ON	1	RL43.PP01
<b>FILTERS</b>				
Kit	Filter Kit.....	91-ON	1	RL43.FILKIT01
NI	Filter .....	91-ON	1	RL43.FIL01
<b>BANDS</b>				
500B	Overdrive & Second Band (Borg Warner) .....	91-ON	1	RL43.BAN02
<b>BUSHES</b>				
Kit	Bush Kit.....	91-ON	1	RL43.BK01
NI	Converter Bush.....	91-ON	1	RL4.BUS06
<b>THRUST WASHERS &amp; BEARINGS</b>				
Kit	Selective Pump Washer (6 Piece).....	91-ON	1	RL43.TWK01
657C	Needle Bearing, Rear Planet to Ring Gear.....	91-ON	1	RL43.THW02
NI	Bearing with Race (54mm x 40.5mm x 4mm) .....	91-ON	1	RL43.TOR01
NI	Bearing, Output Gear Modified (Teflon Coated) .....	91-ON	1	RL43.BE01
<b>ELECTRICAL COMPONENTS</b>				
NI	Solenoid Set RL4F03A (Pair) .....	91-94	1	RL43.SOL01
NI	Solenoid Set RL4F03A (Pair) .....	95-98	1	RL43.SOL02
NI	Solenoid Set RE4F03A (Set of 5) .....	93-99	1	RL43.SOL03
NI	Solenoid Set RE4F03B (Primera, Almera, Micra).....	00-ON	1	RL43.SOL04

# NISSAN RL4F03A/V, RE4F03A/B/V

## 4 SPEED FWD (Electronic & Hydraulic Control)



AUTOMATIC CHOICE



THE AUTOMATIC TRANSMISSION PARTS WAREHOUSE

ILL NO.	DESCRIPTION	YEARS	QTY	PART NO
<b>ELECTRICAL COMPONENTS Cont...</b>				
NI	Solenoid Set RE4F03B (Short Wire Design, <a href="#">Click for Info</a> )	00-06	1	RL43.SOL06
NI	Drop Resister (Pressure Regulator) (Primera/QX, <b>RE4F03A</b> )	91-06	1	RL43.RE01
NI	Drop Resister (Pressure Regulator) (Micra, Note, <b>RE4F03B</b> )	03-ON	1	RL43.RE02
NI	Output Speed Sensor (1st Style, <a href="#">Click here for Info</a> )	93-ON	1	PCVT.ELE02
	(2nd Style, <a href="#">Click here for Info</a> )	93-ON	1	PCVT.ELE04
	(3 Pin with Loom)	00-ON	1	RL43.ELE01
<b>HARD PARTS</b>				
804A	Drum, Reverse Input	91-ON	1	RL43.DRU02
806B	Drum, High Clutch (With 132mm Input Shaft)	91-ON	1	RL43.DRU01
809B	Sun Gear & Shell (29 Teeth)	91-ON	1	RL43.SUN01
810C	Planetary Set Complete 1.6Ltr.	91-ON	1	RL43.PL02
810C	Planetary Set Complete 2.0Ltr.	91-ON	1	RL43.PL01
810C	Planetary Set Complete (Micra)	04-ON	1	RL43.PL03
824F	Cover, Transfer Gear (RE4F03A)	91-ON	1	RL43.COV01
824F	Cover, Transfer Gear (Steel) (RE4F03A)	03-ON	1	RL43.COV02
NI	Governor Gear (RL4F03A) (16 Starts)	90-95	1	RL43.GOV01
NI	Support Input Drum (Caged Needle Bearing Type 5 Bolt)	91-ON	1	RE4.SUP21
NI	Output Shaft & Gear (RE4F03A)	91-ON	1	RL43.SH01
NI	Idler Gear (55 Teeth)	91-ON	1	RL43.GE01
<b>TOOLS &amp; MANUALS</b>				
NI	ATSG Repair Manual	91-ON	AR	RL43.MAN01
<a href="#">Click here to view special tools for this transmission</a>				

ILL NO.	DESCRIPTION	YEARS	QTY	PART NO
---------	-------------	-------	-----	---------