

# RE0F21A Nissan Micra, Fiat Punto (2000-2002) NCVT FWD (Electronic Control) (With Torque Converter)

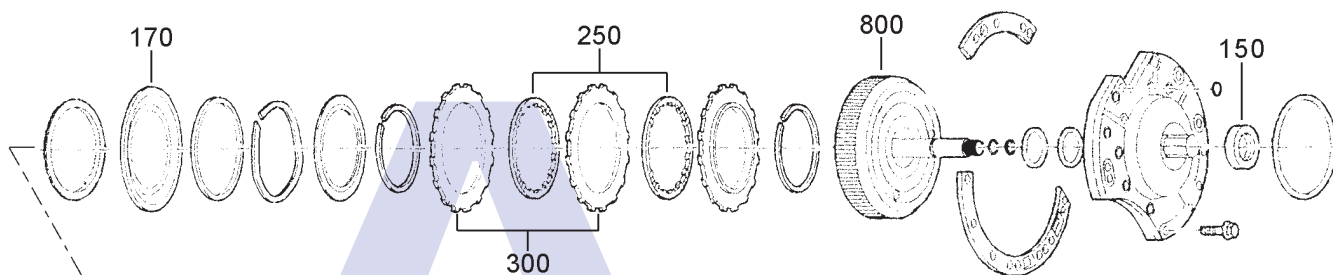


AUTOMATIC CHOICE



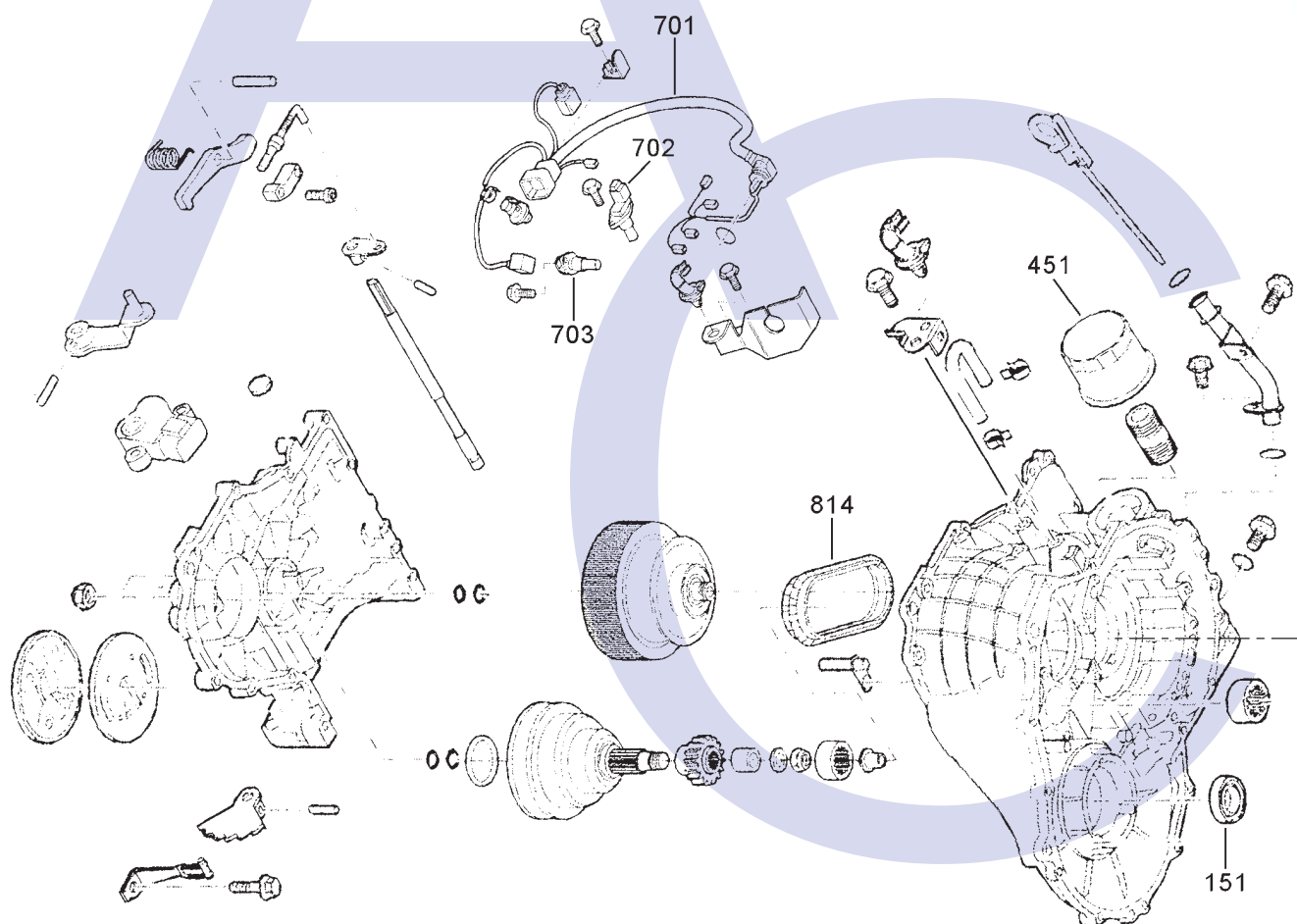
THE AUTOMATIC TRANSMISSION PARTS WAREHOUSE

A



Front Pump Assy, Planetary, Forward and Reverse Clutches

B



Drive pulley's, Belt, Casing and External Components

# RE0F21A Nissan Micra, Fiat Punto (2000-2002) NCVT FWD (Electronic Control) (With Torque Converter)

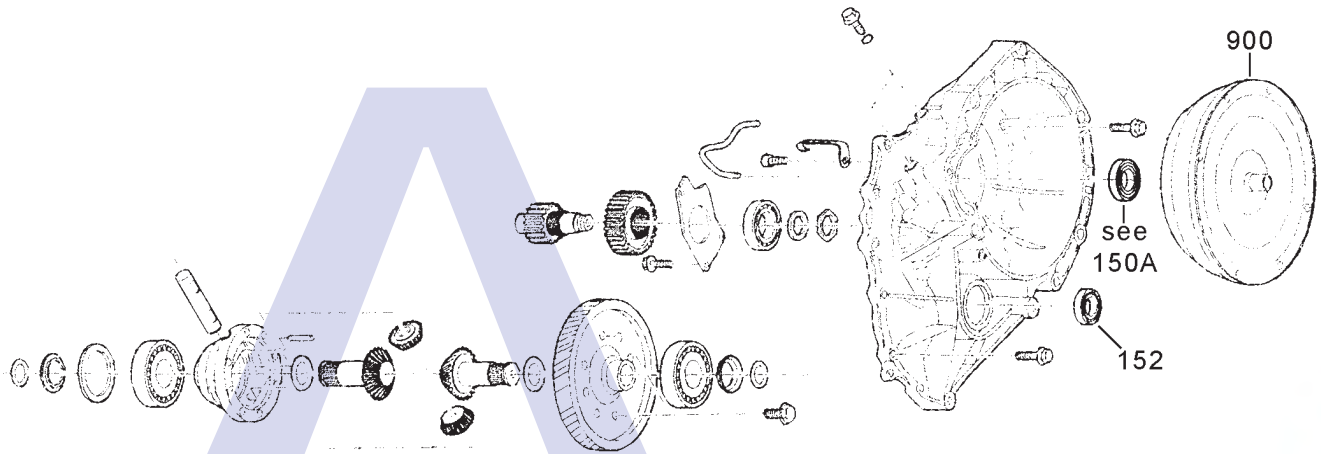


AUTOMATIC CHOICE



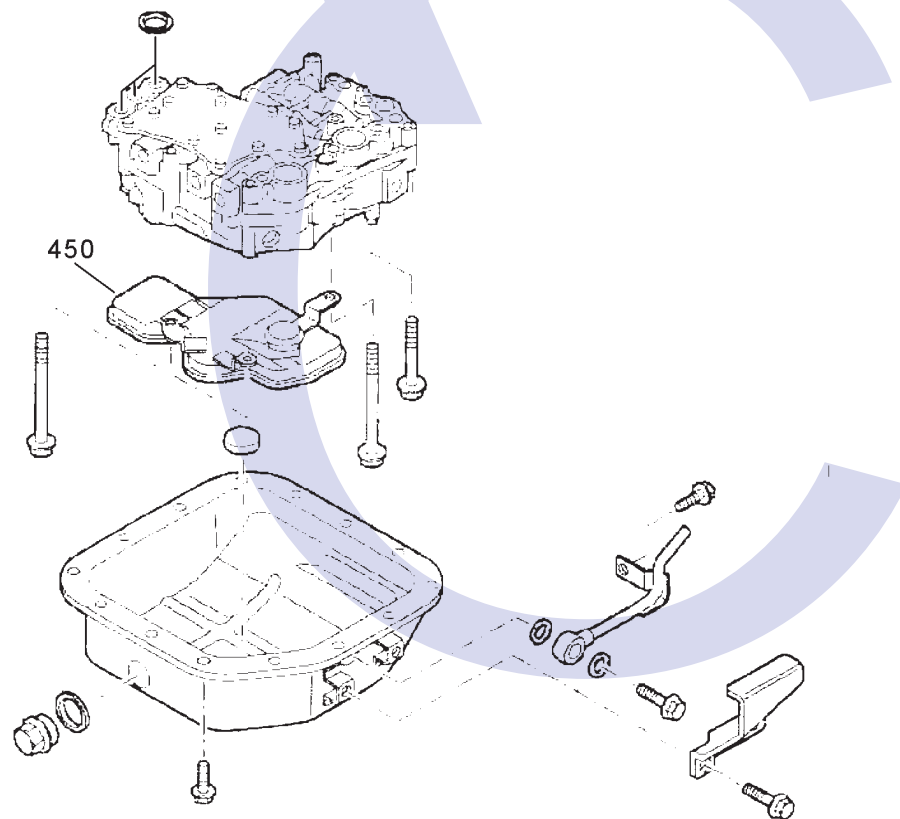
THE AUTOMATIC TRANSMISSION PARTS WAREHOUSE

C



Torque Converter, Bell Housing and Differential

D



Valve Body, Filter and Oil Pan

# RE0F21A Nissan Micra, Fiat Punto (2000-2002) NCVT FWD (Electronic Control) (With Torque Converter)



AUTOMATIC CHOICE



THE AUTOMATIC TRANSMISSION PARTS WAREHOUSE

ILL NO.	DESCRIPTION	YEARS	QTY	PART NO
<b>KITS</b>				
Kit	Overhaul Kit (Transtec) (Nissan Micra).....	01-ON	1	NCVT.OHK01
Kit	Overhaul Kit (Precision) (Nissan, Fiat With Pistons).....	00-09	1	NCVT.OHK52
Kit	Overhaul Kit (Precision) (Nissan, Fiat Without Pistons)...	00-09	1	NCVT.OHK53
<b>GASKETS</b>				
<b>RUBBER COMPONENTS</b>				
<b>METAL CLAD SEALS</b>				
150A	Converter Seal (50mm x 36mm x 7mm).....	01-ON	1	NCVT.MCS01
152C	Drive Shaft Seal R/Hand (Micra Only) (56mm x 41mm x 8/13mm).....	01-ON	1	NCVT.MCS02
152C	Drive Shaft Seal R/H (Fiat Punto).....	01-ON	1	ECVT.MCS06
151B	Drive Shaft Seal L/Hand (Micra Only) (56mm x 41mm x 8/13mm).....	01-ON	1	NCVT.MCS02
151B	Drive Shaft Seal L/H (Fiat Punto).....	01-ON	1	ECVT.MCS05
<b>MOULDED PISTONS</b>				
170A	Reverse Brake .....	01-ON	1	NCVT.PIS02
NI	Forward Clutch.....	01-ON	1	NCVT.PIS01
<b>SEALING RINGS</b>				
Kit	Sealing Ring Kit .....	00-ON	1	NCVT.SRK01
<b>FRICION PLATES</b>				
250A	Reverse Brake (Punto) .....	01-ON	AR	NCVT.FRP01
<b>STEEL PLATES</b>				
300A	Reverse Brake .....	01-ON	AR	NCVT.STP01
<b>PRESSURE PLATES</b>				
<b>SPRINGS &amp; CIRCLIPS</b>				

ILL NO.	DESCRIPTION	YEARS	QTY	PART NO
<b>FILTERS</b>				
450D	Pickup Filter (Internal Micra) .....	01-ON	1	NCVT.FIL01
450D	Pickup Filter (Internal Punto) ....	01-ON	1	NCVT.FIL03
451B	Screw on Filter (Micra/Punto) ...	01-ON	1	NCVT.FIL02
<b>BUSHINGS</b>				
<b>THRUST WASHERS &amp; BEARINGS</b>				
<b>ELECTRICAL COMPONENTS</b>				
701B	Internal Loom (Fiat Punto) .....	01-ON	1	NCVT.ELE01
702B	Input Speed Sensor (1st Style).....	01-ON	1	PCVT.ELE02
702B	Input Speed Sensor (2nd Style, Connector on Opposite Side to 1st Style) .....	01-ON	1	PCVT.ELE04
703B	Output Speed Sensor (1st Style <a href="#">Click here for Info</a> ).....	01-ON	1	PCVT.ELE02
	(2nd Style, <a href="#">Click here for Info</a> ) ..	01-ON	1	PCVT.ELE04
<b>VALVE BODY PARTS</b>				
<b>HARD PARTS</b>				
800A	Input Drum, Shaft & Planetary (Complete) .....	01-ON	1	NCVT.DRU01
814B	Drive Chain .....	01-ON	1	NCVT.CH01
<b>SPECIAL ITEMS</b>				
900C	Torque Converter (Nissan Micra 1.0L).....	01-ON	1	NCVT.TC01
900C	Torque Converter (Nissan Micra 1.2L).....	01-ON	1	NCVT.TC02
900C	Torque Converter (Fiat Punto) .....	01-ON	1	NCVT.TC03
<b>TOOLS &amp; MANUALS</b>				