

# Allison 3000 Series, MD3060, MD3656

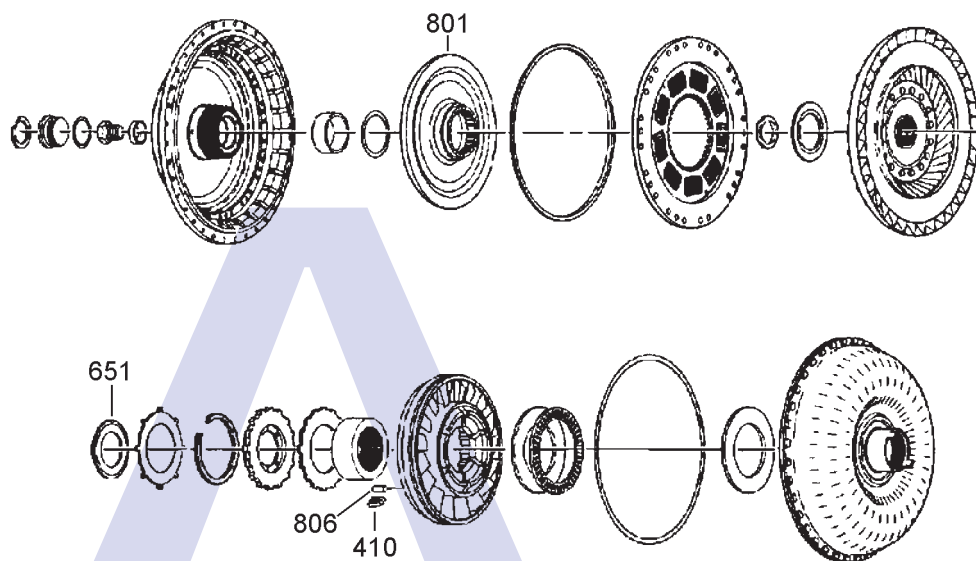


AUTOMATIC CHOICE



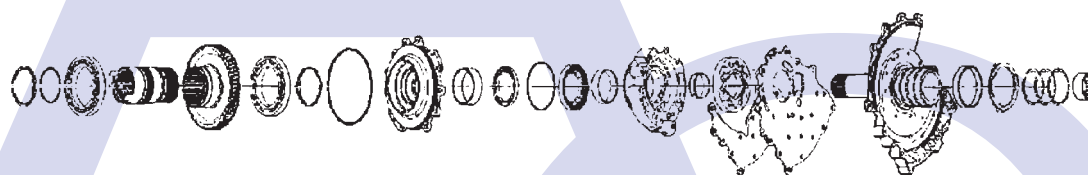
THE AUTOMATIC TRANSMISSION PARTS WAREHOUSE

A



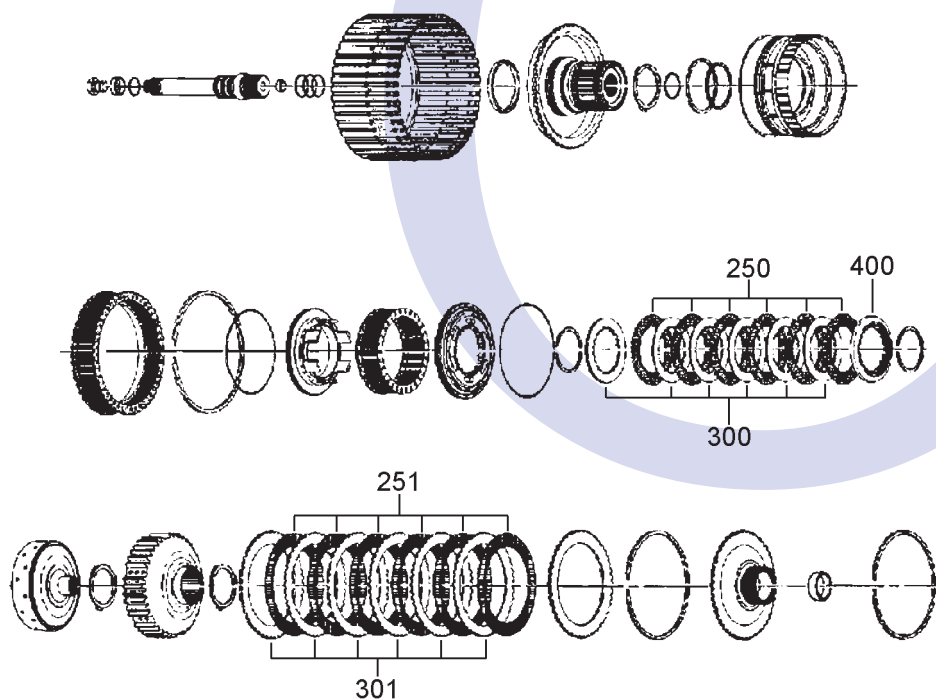
Torque Converter

B



Pump Assembly

C



'C1' and 'C2' Clutch

# Allison 3000 Series, MD3060, MD3656

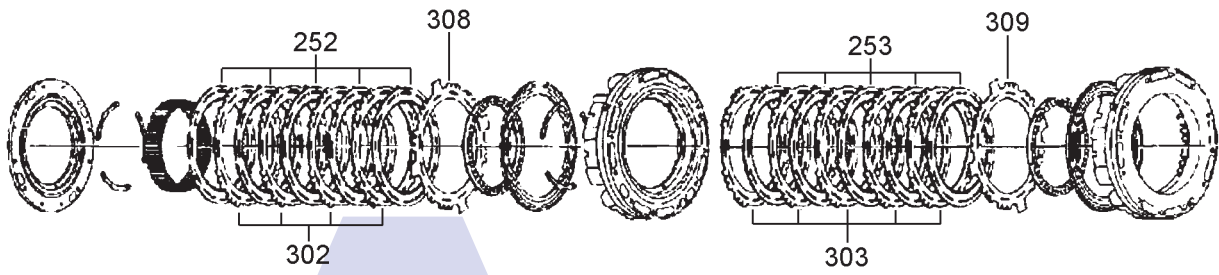


AUTOMATIC CHOICE



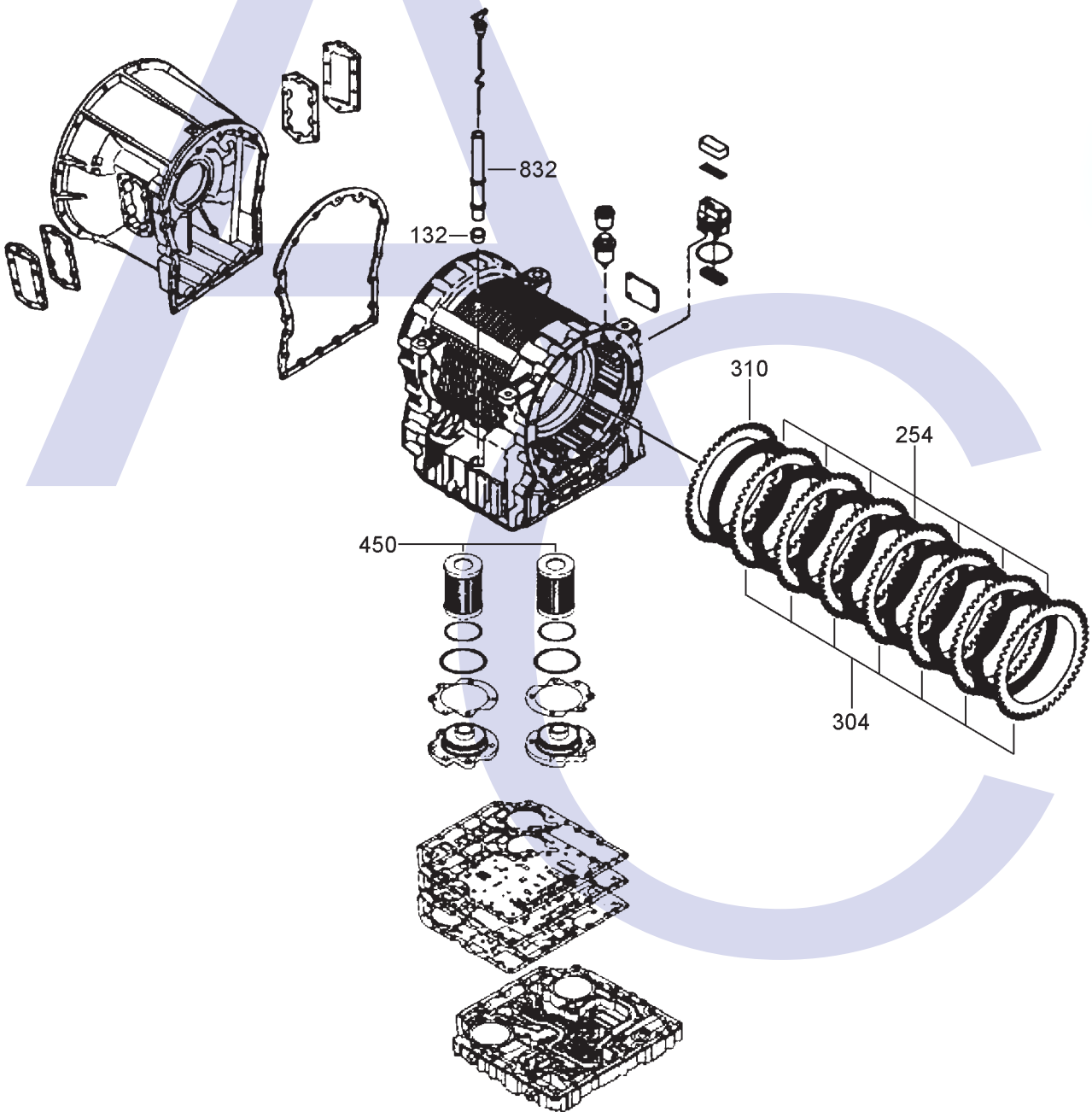
THE AUTOMATIC TRANSMISSION PARTS WAREHOUSE

D



'C3' and 'C4' Clutch

E



Main Case, Valve Body and 'C5' Clutch

# Allison 3000 Series, MD3060, MD3656



AUTOMATIC CHOICE



THE AUTOMATIC TRANSMISSION PARTS WAREHOUSE

ILL NO.	DESCRIPTION	YEARS	QTY	PART NO
<b>KITS</b>				
Kit	Master Overhaul Kit (Alto) (MD3060)		1	<b>MD3060.MOHK01</b>
Kit	Overhaul Kit Combo (Transtec) (MD3060, MD3656) .....		1	<b>MD3060.OHK02</b>
Kit	Overhaul Kit (Alto) (With Valve Body Gasket Kit)....		1	<b>MD3060.OHK01</b>
Kit	Overhaul Kit (CRT3000) (TRT2421-3) .....		1	<b>AT3000.OHK01</b>
Kit	Overhaul Kit (MD3000) (TRT3531-03) .....		1	<b>AT3000.OHK02</b>
Kit	Gasket & Seal (MD3060) .....		1	<b>MD3060.GSK01</b>
Kit	Valve Body Gasket (MD3060)...		1	<b>MD3060.GSK02</b>
<b>GASKETS</b>				
NI	Converter Gasket.....		1	<b>AT3000.GAS01</b>
NI	Oil Cooler to Case.....		1	<b>MD3060.GAS06</b>
NI	Cooler Cover Gasket .....		1	<b>MD3060.GAS07</b>
NI	Water Pipe Cover Gasket .....		2	<b>MD3060.GAS08</b>
<b>RUBBER COMPONENTS</b>				
132E	'O' Ring, Filler Tube.....		1	<b>MD3060.OR01</b>
NI	'O' Ring, Oil Cooler (Thin) .....		2	<b>MD3060.OR03</b>
NI	'O' Ring, Oil Cooler (Large).....		2	<b>MD3060.OR02</b>
<b>METAL CLAD SEALS</b>				
<b>MOULDED PISTONS</b>				
<b>SEALING RINGS</b>				
NI	Sealing Ring for Converter.....		1	<b>AT3000.SSR01</b>
<b>FRICTION PLATES</b>				
250C	'C1' Clutch (External Teeth) (115.7mm ID x 2.5mm x 44T) ...		6	<b>MD3060.FRP03</b>
251C	'C2' Clutch (252.7mm OD x 2.5mm x 82T) .		6	<b>MD3060.FRP04</b>
252D	'C3' Clutch (242.5mm ODx 2.5mm X 76T)..		5	<b>MD3060.FRP01</b>
253D	'C4' Clutch (242.5mm ODx 2.5mm X 76T)..		5	<b>MD3060.FRP01</b>
254E	'C5' Clutch (254mm OD x 3.2mm x 81T) ....		7	<b>MD3060.FRP02</b>
<b>STEEL PLATES</b>				
300C	'C1' Clutch (Internal Teeth) (165.2mm OD x 2.5mm x 44T) .		5	<b>MD3060.STP05</b>
301C	'C2' Clutch (216.8mm ID x 2.5mm x 48T) ...		6	<b>MD3060.STP07</b>
302D	'C3' Clutch (195.5mm ID x 2.5mm x 24T) ...		5	<b>MD3060.STP01</b>

ILL NO.	DESCRIPTION	YEARS	QTY	PART NO
<b>STEEL PLATES Cont...</b>				
303D	'C4' Clutch (195.5mm ID x 2.5mm x 24T) ...		5	<b>MD3060.STP01</b>
304E	'C5' Clutch (207.3mm ID x 2.5mm x 48T) ...		8	<b>MD3060.STP03</b>
308D	'C3' Piston Apply Plate (3.50mm)		1	<b>MD3060.STP02</b>
309D	'C4' Piston Apply Plate (3.50mm)		1	<b>MD3060.P02</b>
310E	'C5' Apply Plate (107.7mm ID x 2.5mm x 44T) ...		1	<b>MD3060.STP04</b>
<b>PRESSURE PLATES</b>				
400C	'C1' Cutch Backing Plate (MD Series)		1	<b>MD3060.STP06</b>
<b>SPRINGS &amp; CIRCLIPS</b>				
410A	Spring, Converter One Way Clutch .....		13	<b>AT3000.OWC02</b>
<b>FILTERS</b>				
450E	Filter (MD3060) (2" Sump).....		2	<b>MD3060.FIL01</b>
450E	Filter Kit (MD3060) (2 x 6" Cartridges, with Gaskets & 'O' Rings).....		1	<b>MD3060.FIL03</b>
450E	Filter Kit (MD3060) (2 x 4" Cartridges, with Gaskets & 'O' Rings).....		1	<b>MD3060.FIL04</b>
NI	Filter Suction (MD3060) .....		1	<b>MD3060.FIL02</b>
<b>BUSHINGS</b>				
<b>THRUST WASHERS &amp; BEARINGS</b>				
651A	Radial Needle Bearing, Converter OWC .....		1	<b>AT3000.THW01</b>
<b>ELECTRICAL COMPONENTS</b>				
NI	Speed Sensor, Output (MD3060) (On Extension Housing).....		1	<b>MD3060.ELE01</b>
NI	Speed Sensor, Input (MD3060) (On Valve Body).....		1	<b>MD3060.ELE02</b>
NI	Wiring Harness (MD3060) (with Oil Level Sensor).....		1	<b>MD3060.ELE03</b>
<b>VALVE BODY PARTS</b>				

# Allison 3000 Series, MD3060, MD3656



AUTOMATIC CHOICE



THE AUTOMATIC TRANSMISSION PARTS WAREHOUSE

ILL NO.	DESCRIPTION	YEARS	QTY	PART NO
<b>HARD PARTS</b>				
801A	Piston, Lock-up Apply (MD3060)		1	<b>MD3060.PIS01</b>
NI	Cover/Diaphragm With Seal (Converter).....		1	<b>AT3000.COV01</b>
806A	Rollers, Converter One Way Clutch .....		13	<b>AT3000.OWC01</b>
832E	Filler Tube .....		1	<b>MD3060.TU01</b>
Ni	Washer, Stator OWC Front .....		1	<b>AT3000.OWC03</b>
<b>SPECIAL ITEMS</b>				
<b>TOOLS &amp; MANUALS</b>				

ILL NO.	DESCRIPTION	YEARS	QTY	PART NO
---------	-------------	-------	-----	---------