

RENAULT MB1, MB3 3 SPEED FWD (Electronic Control)

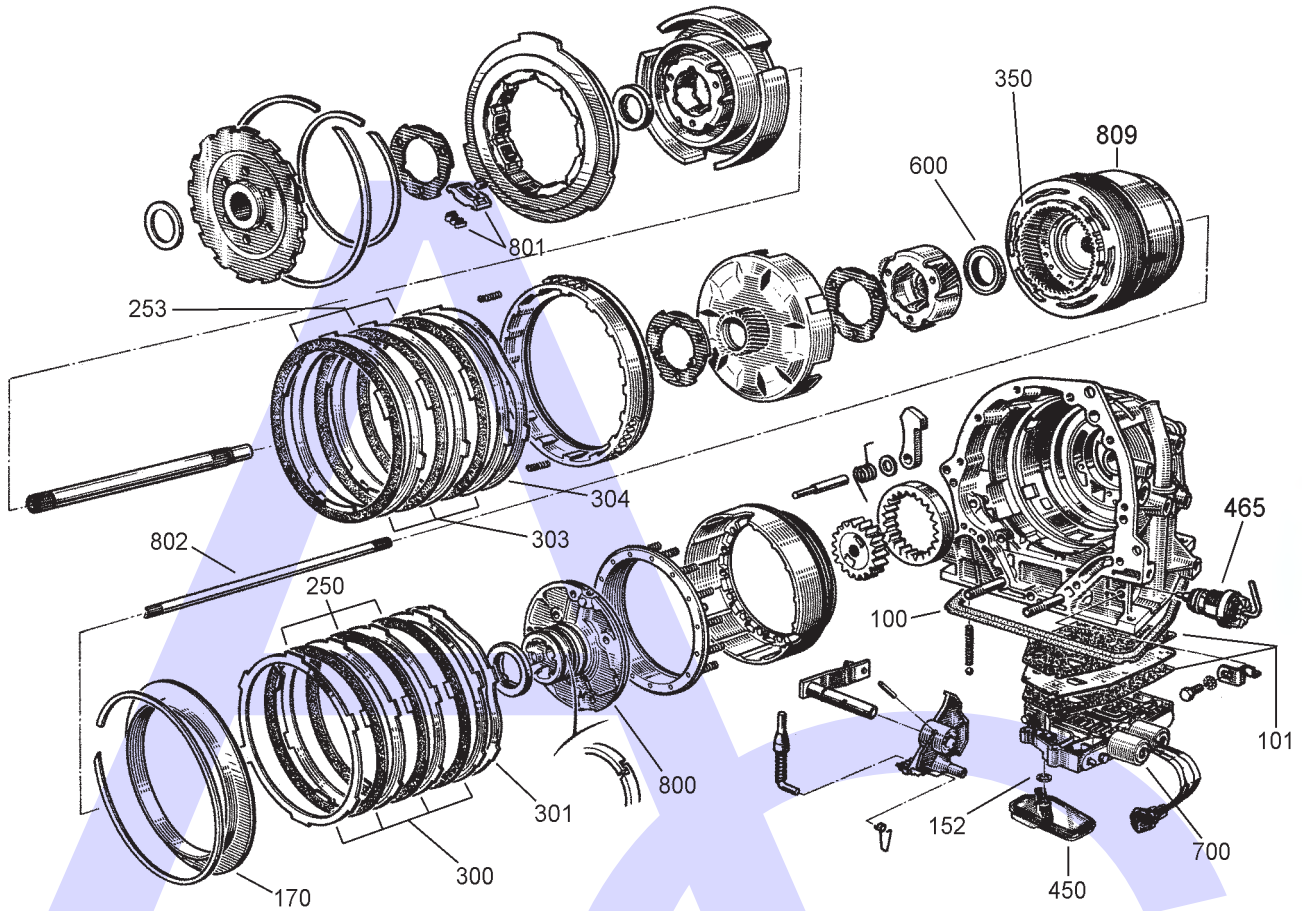


AUTOMATIC CHOICE

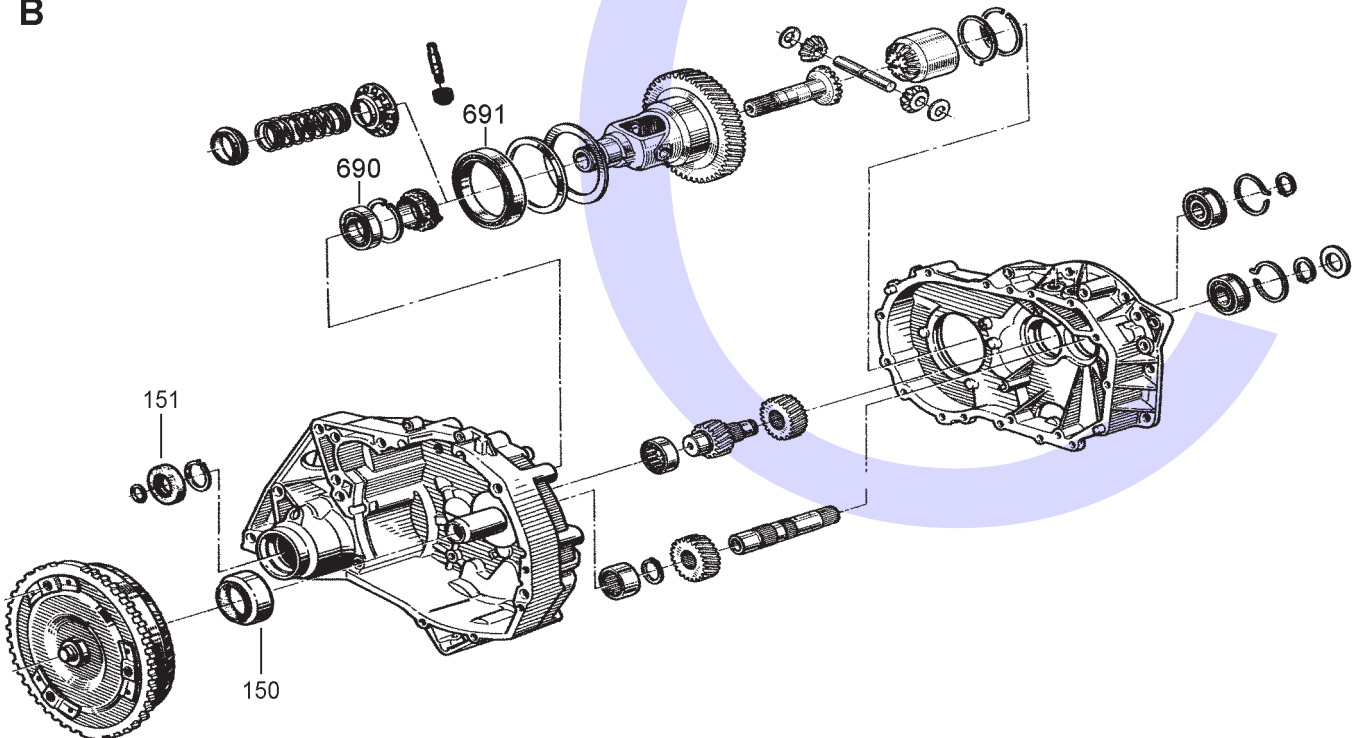


THE AUTOMATIC TRANSMISSION PARTS WAREHOUSE

A



B



RENAULT MB1, MB3

3 SPEED FWD (Electronic Control)



AUTOMATIC CHOICE



THE AUTOMATIC TRANSMISSION PARTS WAREHOUSE

| ILL NO. | DESCRIPTION | YEARS | QTY | PART NO |
|--------------------------|--|-------|-----|-----------------|
| KITS | | | | |
| Kit | Overhaul Kit (Transtec)..... | 83-ON | 1 | MB.OHK01 |
| Kit | Overhaul Kit (Precision)..... | 83-ON | 1 | MB.OHK51 |
| Kit | Overhaul Kit (Bryco)..... | 83-ON | 1 | MB.OHK02 |
| Kit | Gasket & Rubber Kit..... | 83-ON | 1 | MB.GSK01 |
| GASKETS | | | | |
| 100A | Pan Gasket..... | 83-ON | 1 | MB.GAS01 |
| 101A | Valve Body Gasket (OEM)..... | 83-ON | 2 | MB.GAS03 |
| 101A | Valve Body Gasket..... | 83-ON | 2 | MB.OHK51 |
| NI | Main Case Gasket Late..... | 83-ON | 1 | MB.GAS02 |
| NI | Gearbox to Diff Gasket (OEM)..... | 83-ON | 1 | MJ.GAS01 |
| RUBBER COMPONENTS | | | | |
| Kit | 'E1'/E2' Rubber Kit..... | 83-ON | 1 | MB.ORK02 |
| 120A | Filter 'O' Ring..... | 83-ON | 1 | MB.OR01 |
| METAL CLAD SEALS | | | | |
| 150B | Converter..... | 83-ON | 1 | MB.MCS01 |
| 151B | Axle Seal MB1..... | 83-ON | 2 | MB.MCS02 |
| MOULDED PISTONS | | | | |
| 170A | 'F1' Carrier Piston..... | 83-ON | 1 | MB.PIS01 |
| SEALING RINGS | | | | |
| Kit | Sealing Ring Kit..... | 83-ON | 1 | MB.SRK01 |
| FRICTION PLATES | | | | |
| Kit | Friction Plate..... | 83-ON | 1 | MB.FRK01 |
| Kit | Friction Plate (Alto) (Alliance Only)..... | 83-ON | 1 | MB.FRK51 |
| Kit | Friction Plate (Alto) (Less 'E1'&'E2' Frictions)..... | 83-90 | 1 | MB.FRK52 |
| Kit | Friction Plate (Alto) (Inc 'E1'&'E2' Frictions)..... | 83-90 | 1 | MB.FRK53 |
| 250A | Intermediate ('F2') (178mm OD x 3 Internal Lugs)..... | 83-ON | 3-4 | MB.FRP03 |
| NI | Forward ('E1') (125mm OD x 21Teeth)..... | 83-ON | 4-5 | MB.FRP01 |
| NI | Direct ('E2') (150mm OD x 3 Ext Teeth)..... | 83-ON | 4-5 | MB.FRP02 |
| 253A | Low & Reverse ('F1') (190mm OD x 3 Internal Lugs)..... | 83-ON | 3-4 | MB.FRP04 |
| STEEL PLATES | | | | |
| Kit | Steel Plate..... | 83-ON | 1 | MB.STK01 |
| Kit | Steel Plate (Alto) (Inc 'E1'&'E2' Flat & Waved Steels)..... | 83-90 | 1 | MB.STK51 |
| Kit | Steel Plate (Alto) (Less 'E1'&'E2' Steels)..... | 83-90 | 1 | MB.STK52 |
| Kit | Steel Plate (Alto) (Inc 'E1'&'E2' Flat Steels Only)..... | 83-90 | 1 | MB.STK53 |
| 300A | Intermediate ('F2') (171mm ID x 12 Lugs)..... | 83-ON | 3-4 | MB.STP03 |
| 301A | Intermediate ('F2') Waved (171mm ID x 12 Lugs)..... | 83-ON | 1 | MB.STP07 |
| NI | Forward ('E1') (125mm OD x 3 Ext Lugs)..... | 83-ON | 4-5 | MB.STP01 |
| NI | Forward ('E1') Wavy Plate (125mm OD x 3 Ext Lugs)..... | 83-ON | 1 | MB.STP05 |

| ILL NO. | DESCRIPTION | YEARS | QTY | PART NO |
|--------------------------------------|---|-------|-----|------------------|
| STEEL PLATES Cont... | | | | |
| NI | Direct ('E2') (150mm OD x 3 Int Lugs)..... | 83-ON | 4-5 | MB.STP02 |
| NI | Direct ('E2') Wavy Plate (150mm OD x 3 Int Lugs)..... | 83-ON | 1 | MB.STP06 |
| 303A | Low & Reverse ('F1') (190mm OD x 3 Ext Lugs)..... | 83-ON | 3-4 | MB.STP04 |
| 304A | Low & Reverse ('F1') Waved (190mm OD x 3 Ext Lugs)..... | 83-ON | 1 | MB.STP08 |
| PRESSURE PLATES | | | | |
| 350A | Pressure Plate 'E1'/E2' Clutch..... | 83-ON | 1 | MB.PP01 |
| SPRINGS & CIRCLIPS | | | | |
| FILTERS | | | | |
| 450A | Filter Universal..... | 83-ON | 1 | MB.FIL01 |
| 450A | Filter Ren 5..... | 83-ON | 1 | MB.FIL03 |
| 450A | Filter Clio (Up to 21/01/1994)..... | 83-94 | 1 | MB.FIL03 |
| 450A | Filter Clio/Peugeot 106 (21/01/94 On)..... | 94-on | 1 | MB.FIL04 |
| MODULATORS | | | | |
| 465A | Modulator Black..... | 83-ON | 1 | NLA |
| 465A | Replacement Modulator Adaptor (Click Here for Info)..... | 83-ON | 1 | MB.MOD11 |
| BUSHINGS | | | | |
| NI | Sun Gear Bush..... | 83-ON | 2 | NLA |
| NI | Feed Hub Bush..... | 83-ON | 1 | MB.BUS02 |
| NI | Turbine Shaft Rear..... | 83-ON | 1 | MB.BUS04 |
| NI | Pump Drive Shaft Bush..... | 83-ON | 1 | MB.BUS05 |
| THRUST WASHERS & BEARINGS | | | | |
| 690B | Bearing, Diff Carrier (Small Outer Tapered Type)..... | 83-ON | 1 | MB.BE01 |
| 691B | Bearing, Diff Carrier (Large Inner Tapered Type)..... | 83-ON | 1 | MB.BE02 |
| ELECTRICAL COMPONENTS | | | | |
| NI | MB Renix Computer..... | 83-ON | 1 | MB.COMP01 |
| NI | Throttle Potentiometer (Renix)..... | 83-ON | 1 | MB.ELE01 |
| 700A | Solenoid Set (Used - Tested)..... | 83-ON | 1 | MB.SOL01 |
| VALVE BODY PARTS | | | | |
| HARD PARTS | | | | |
| 800A | Feed Hub..... | 83-ON | 1 | MB.HUB01 |
| 801A | OWC Spring & Roller Kit..... | 83-ON | 1 | MB.OWC01 |
| 802A | Pump Drive Shaft Renault 5 (325mm Long)..... | 83-ON | 1 | MB.SH01 |
| 809A | 'E1'/E2' Drum Assy (4 Plate) (Remanufactured)..... | 83-ON | 1 | MB.DRU02 |
| SPECIAL ITEMS | | | | |
| NI | Cooler Adaptor (Allows Fitment of Matrix Cooler) | | 1 | MB.CA01 |
| NI | Torque Converter Nut (9.00mm) | | 1 | MB.NUT02 |
| TOOLS & MANUALS | | | | |