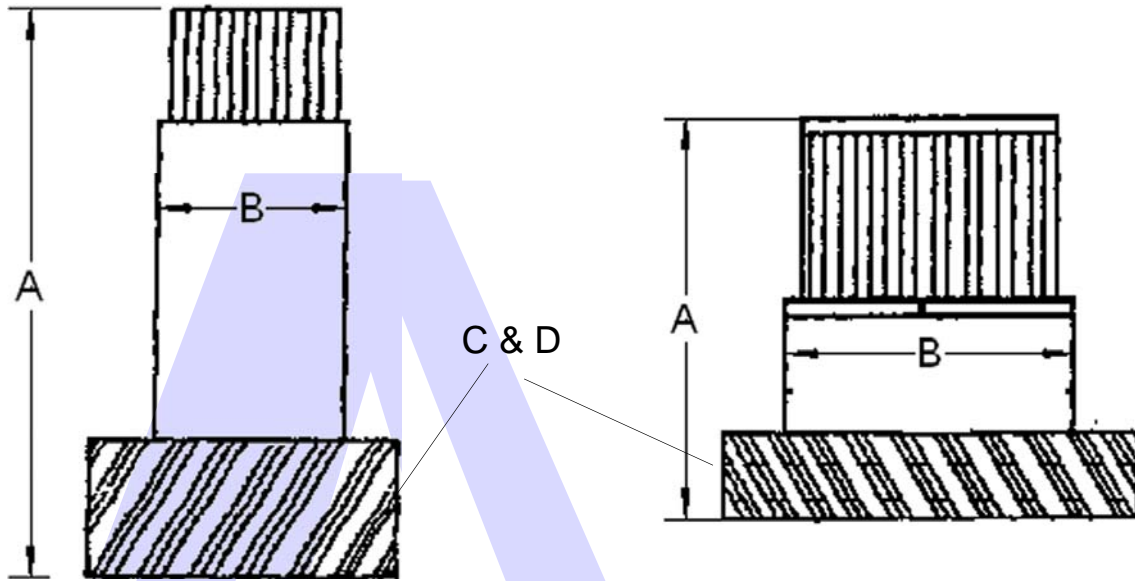


# KM Series Sun Gear Identification



FORWARD SUN GEAR					
TRANS TYPE	RATIO	"A" OVERALL HIGHT	"B" JOURNAL O.D.	"C" TOOTH COUNT	"D" IDENT GROOVE
KM175-1	Wide	81.08mm	25.88mm	26	None
KM176-5, F4A21	Wide	76.56mm	27.84mm	26	None
KM177-0	Close	81.15mm	27.84mm	29	1
F4A21	Wide	76.58mm	27.84mm	26	None
KM175-5 & F4A22	Wide	81.15mm	27.84mm	26	None
F4A32, KM177-8 F4A23.2, W4A23.1	Close	81.15mm	27.84mm	29	1
W4A32	Wide	81.15mm	27.84mm	26	1
F4A33 & W4A33	Close	87.38mm	27.84mm	29	None
REVERSE SUN GEAR					
KM175-1	Wide	58.09mm	39.88mm	34	None
KM176-5	Wide	52.96mm	39.24mm	34	None
KM177-0	Close	57.58mm	39.24mm	34	1
F4A21	Wide	52.96mm	26.54mm	34	None
KM175-5 & F4A22	Wide	57.58mm	39.24mm	34	2
W4A32 & F4A23	Close	57.58mm	39.24mm	34	1
W4A32	Wide	57.58mm	39.24mm	34	1
F4A33 & W4A33	Close	59.08	40.18mm	34	None

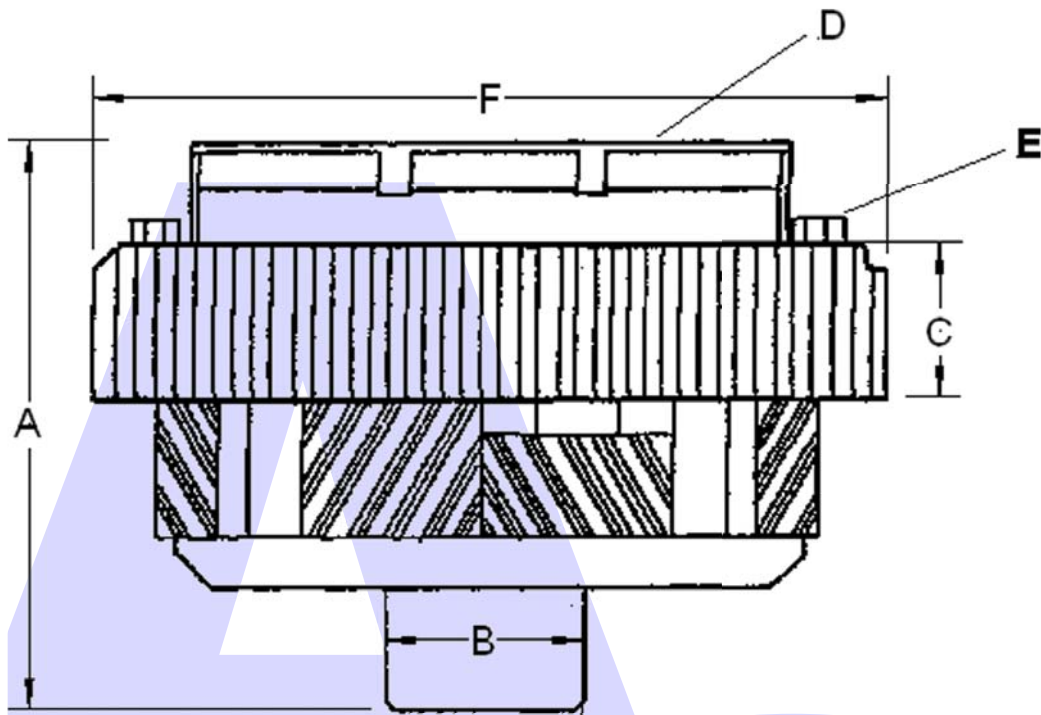
# KM Series Planetary Carrier Identification



AUTOMATIC CHOICE



THE AUTOMATIC TRANSMISSION PARTS WAREHOUSE



## PLANETARY CARRIER

TRANS TYPE	RATIO	"A" OVERALL HIGHT	"B" JOURNAL O.D.	"C" SPLINE HIGHT	"D" TIN PLATE	"E" BOLTS	"F" SPLINE DIA.	OUR PART NUMBER
KM175.1	Wide	83.79mm	29.97mm	23.11mm	Flat	Raised	124.28mm	
KM176-5, F4A21	Wide	85.09mm	32.89mm	21.59mm	Stepped	Raised	131.70mm	KM175.PL04
KM177.0	Close	85.09mm	32.89mm	29.21mm*	Flat	<b>Recessed</b>	131.70mm	
F4A21	Wide	85.34mm	32.89mm	21.59mm	Stepped	Raised	131.70mm	
KM175.5 & F4A22	Wide	87.20mm	32.89mm	24.18mm	Stepped	Raised	131.70mm	KM175.PL01
F4A32, KM177-8, F4A23-2, W4A23-1	Wide	87.20mm	32.89mm	28.83mm*	Stepped	<b>Recessed</b>	131.70mm	KM177.PL01
W4A32	Wide	87.20mm	32.89mm	24.18mm	Stepped	Raised	131.70mm	
F4A33 & W4A33	Wide	92.18mm	32.89mm	29.21mm**	Flat	Riveted	138.55mm	KM177.PL03

\* Step cut in around the top, instead of having a chamfer

\*\* Elongated chamfer cut around the top