

Hydramatic Dual Coupling (Jetaway)

4 Speed RWD (Hydraulic Control) 1956-64

Cadillac 56-64, Hudson 56-57, Nash 56-57, Oldsmobile 56-60, Pontiac 56-64

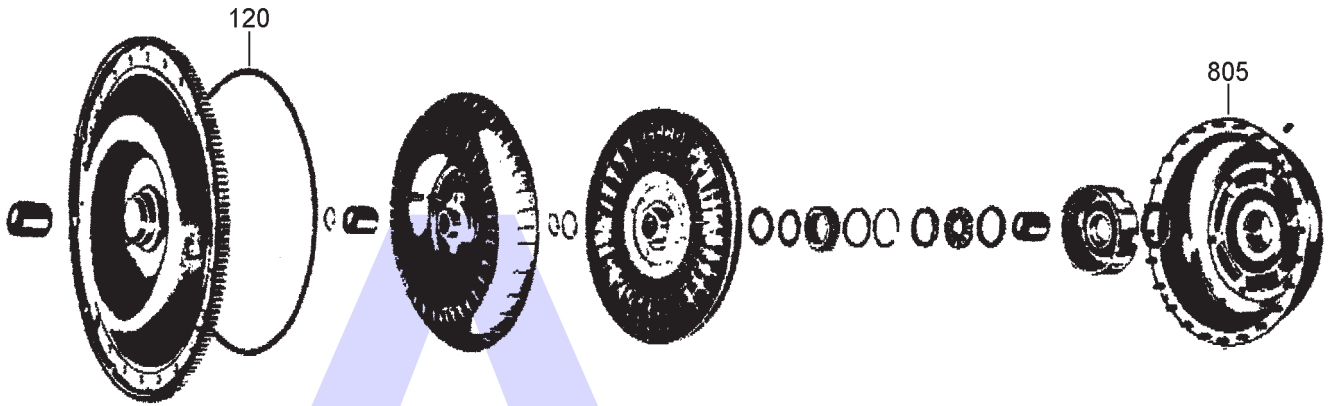


AUTOMATIC CHOICE

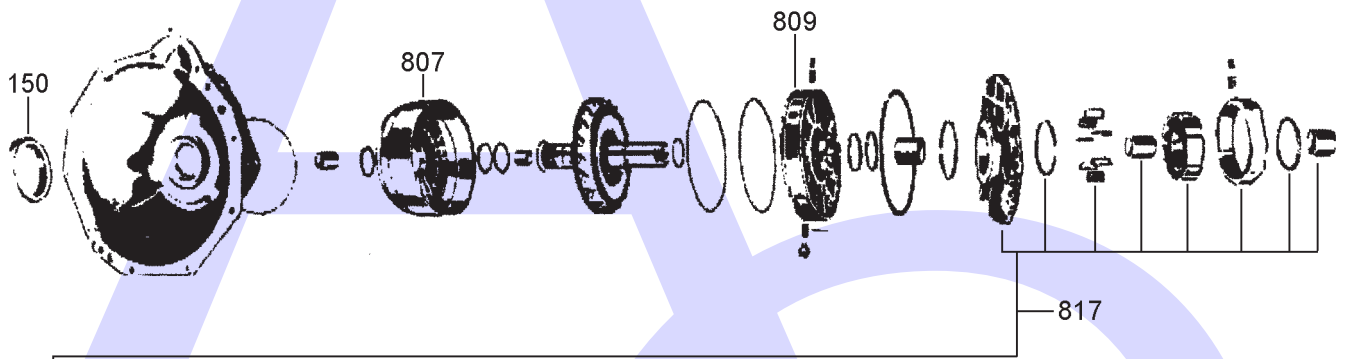


THE AUTOMATIC TRANSMISSION PARTS WAREHOUSE

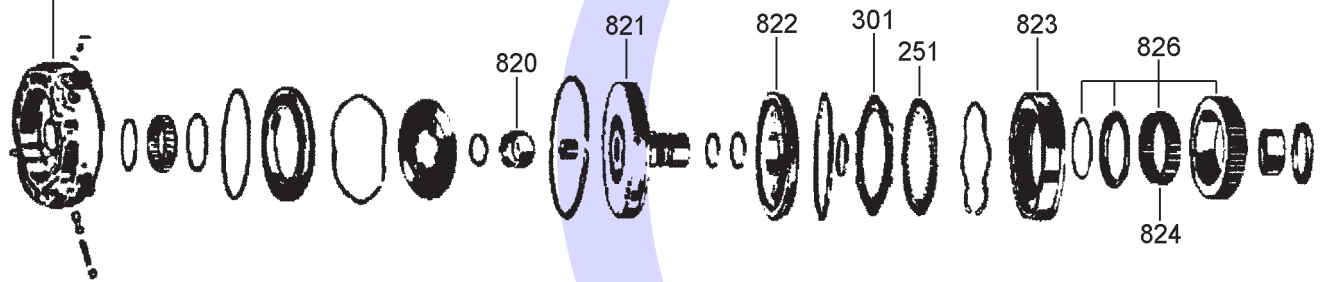
A



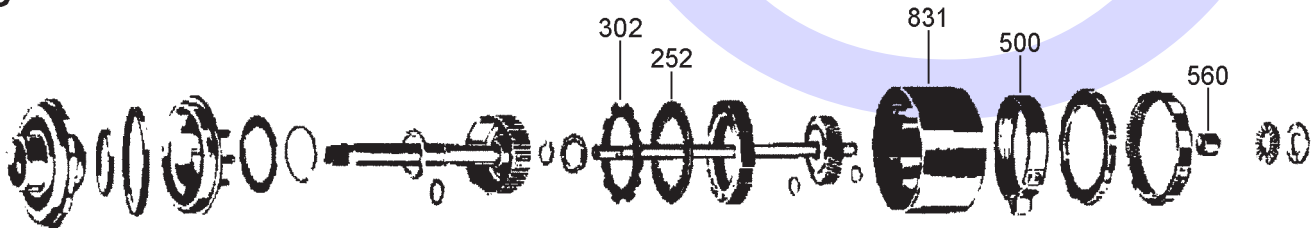
B



C



D



Hydramatic Dual Coupling (Jetaway)

4 Speed RWD (Hydraulic Control) 1956-64

Cadillac 56-64, Hudson 56-57, Nash 56-57, Oldsmobile 56-60, Pontiac 56-64

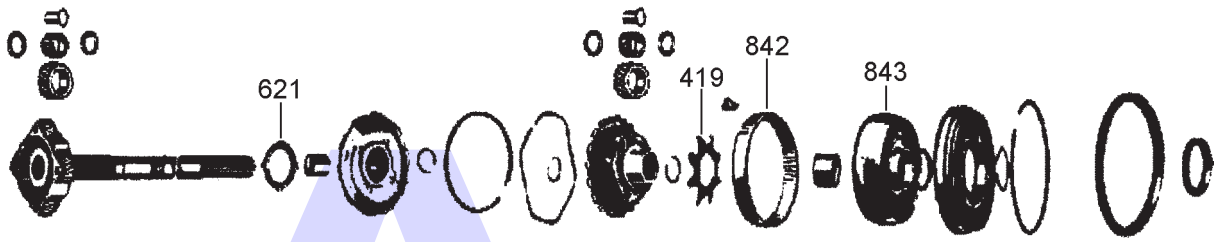


AUTOMATIC CHOICE



THE AUTOMATIC TRANSMISSION PARTS WAREHOUSE

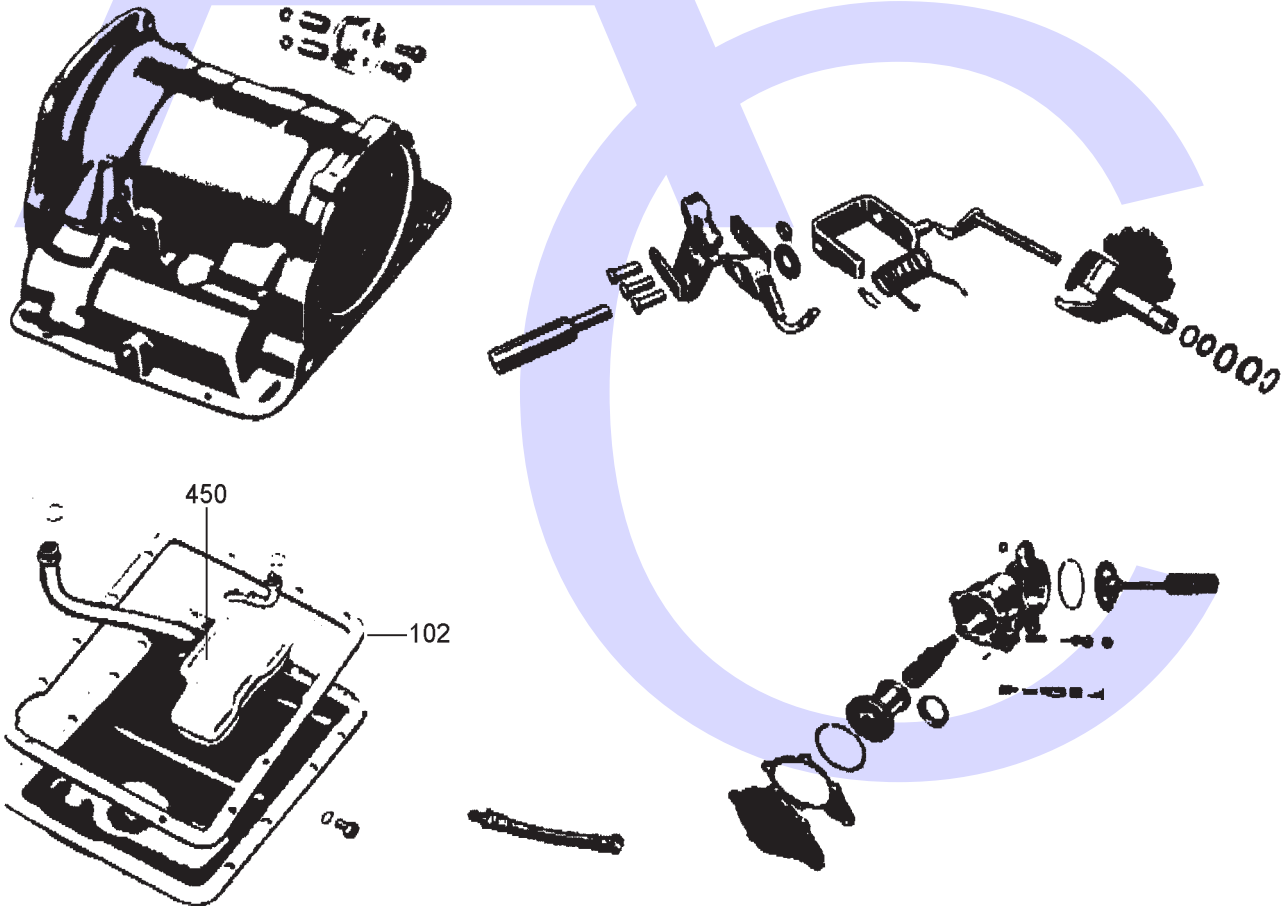
E



F



G



Hydramatic Dual Coupling (Jetaway)

4 Speed RWD (Hydraulic Control) 1956-64

Cadillac 56-64, Hudson 56-57, Nash 56-57, Oldsmobile 56-60, Pontiac 56-64



AUTOMATIC CHOICE



THE AUTOMATIC TRANSMISSION PARTS WAREHOUSE

ILL NO.	DESCRIPTION	YEARS	QTY	PART NO
KITS				
Kit	Master Overhaul Kit	56-64	1	JET.MOHK01
Kit	Overhaul Kit	56-64	1	JET.OHK01
Kit	Overhaul Kit (Precision)	58-64	1	JET.OHK51
Kit	External Seal Up Kit.....	56-64	1	JET.OHK02
GASKETS				
102G	Pan Gasket (Early 15 Bolt)	56-E59	1	JET.GAS01
102G	Pan Gasket (Late 14 Bolt).....	L59-64	1	JET.GAS02
RUBBER COMPONENTS				
120A	Lathe Cut Seal (Torus Cover to Flywheel).....	56-64	1	JET.SQR01
METAL CLAD SEALS				
150B	Torus to Bell Housing (79.50mm OD x 57.50mm ID)...	56-57	1	JET.MCS01
150B	Torus to Bell Housing (82.50mm OD x 61.20mm ID)...	58-64	1	JET.MCS02
151F	Extension Housing (63.53mm O.D.)	56-64	1	TH400.MCS02
MOULDED PISTONS				
SEALING RINGS				
FRICITION PLATES				
Kit	Friction Plate Kit.....	56-64	1	JET.FRK01
251C	Neutral Clutch	56-64	5	JET.FRP01
252D	Rear Clutch.....	56-64	7	JET.FRP02
STEEL PLATES				
301C	Neutral Clutch	56-64	5	JET.STP01
302D	Rear Clutch.....	56-64	7	JET.STP02
PRESSURE PLATES				
SPRINGS & CIRCLIPS				
419E	Spring, Rev Cone Release	56-64	1	JET.DIA01
FILTERS				
450G	Pick Up (This filter is cleanable)	56-58	1	Not Available
450G	Pick Up Filter (Brass Screen)....	1959	1	JET.FIL02
450G	Pick Up Filter.....	60-64	1	JET.FIL01

ILL NO.	DESCRIPTION	YEARS	QTY	PART NO
BANDS				
500D	Low Brake Band (Relined).....	56-64	1	JET.BAN01
BUSHINGS				
Kit	Bushing Kit.....	56-64	1	JET.BK01
560D	Rear Clutch Drum	56-64	1	JET.BUS02
THRUST WASHERS & BEARINGS				
621E	Thrust Washer, Mainshaft to Planetary (Selective, 1.778mm).....	56-64	AR	JET.THW01
ELECTRICAL COMPONENTS				
VALVE BODY PARTS				
HARD PARTS				
805A	Torus Cover.....	56-57	1	JET.COV03
805A	Torus Cover.....	58-64	1	JET.COV02
807B	Drive Torus, Fnt Unit Coupling ..	58-64	1	JET.COV04
809B	Cover, Front Unit Coupling.....	56-64	1	JET.COV01
817B/CPump	Assembly (Year Required) There are two types of pump for the Jetaway, one with the oil feed 'O'-Ring in the pump body and one with the oil feed 'O'-Ring on the oil feed pipe, ('O'-Ring fitted to the pipe)		1	JET.PUM01
	('O'-Ring fitted in Pump Body)...		1	JET.PUM02
820C	Front OWC Inner Race	56-64	1	JET.OWC01
821C	Centre Support.....	56-64	1	JET.DRU03
822C	Neutral Clutch Piston	56-64	1	JET.PIS01
823C	Neutral Clutch Drum	56-64	1	JET.DRU01
824C	Rear Sprag/OWC.....	56-64	1	JET.OWC03
826C	Rear One Way Clutch Assembly.	56-64	1	JET.OWC02
831D	Rear Clutch Drum	56-64	1	JET.DRU02
842E	Reverse Cone (Fibre 160mm) ..	56-58	1	JET.CON01
842E	Reverse Cone (Fibre 175mm) ..	59-64	1	JET.CON02
843E	Annulus Gear (160mm Cone).....	56-58	1	JET.GE01
	(175mm Cone).....	58-64	1	JET.GE02
855F	Extension Housing (Cadillac)....	1961	1	JET.EX01
SPECIAL ITEMS				
TOOLS & MANUALS				