

HONDA ACURA NSX MR9A (1991-2005)

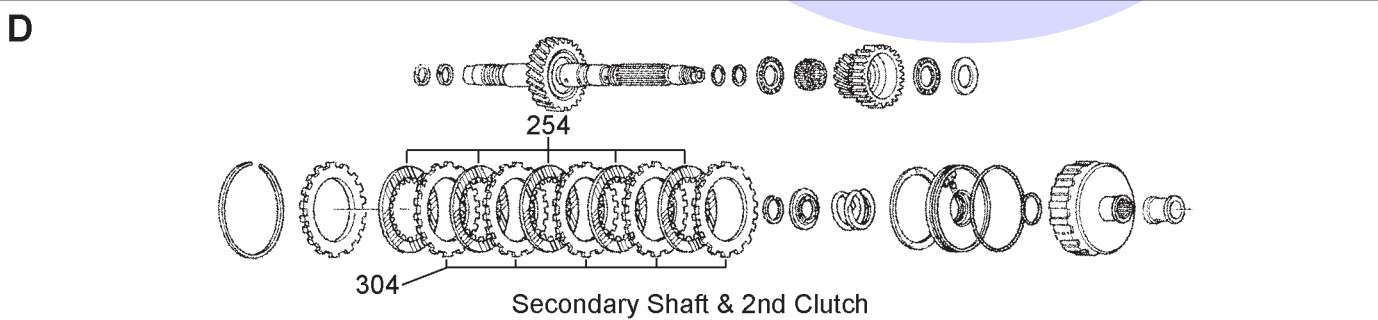
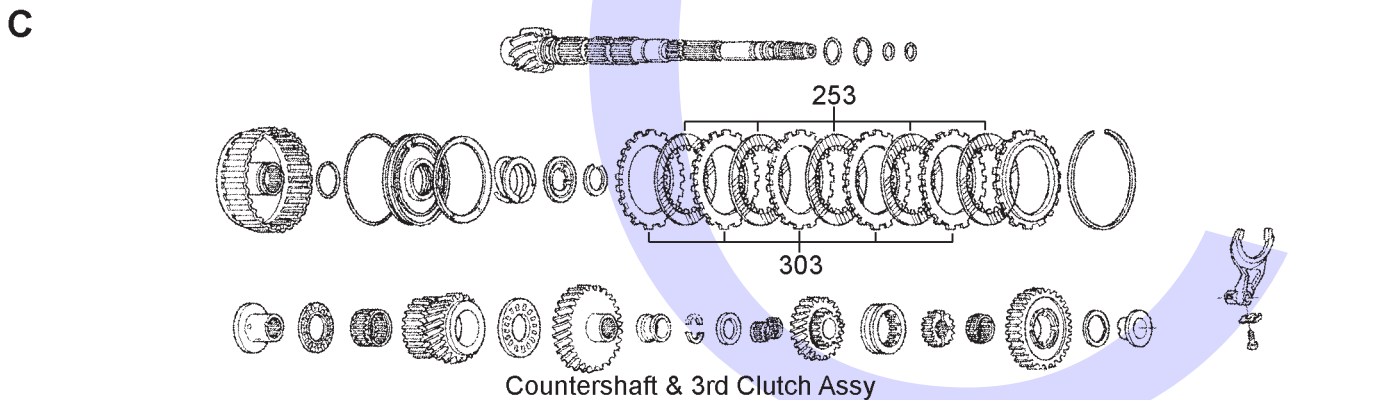
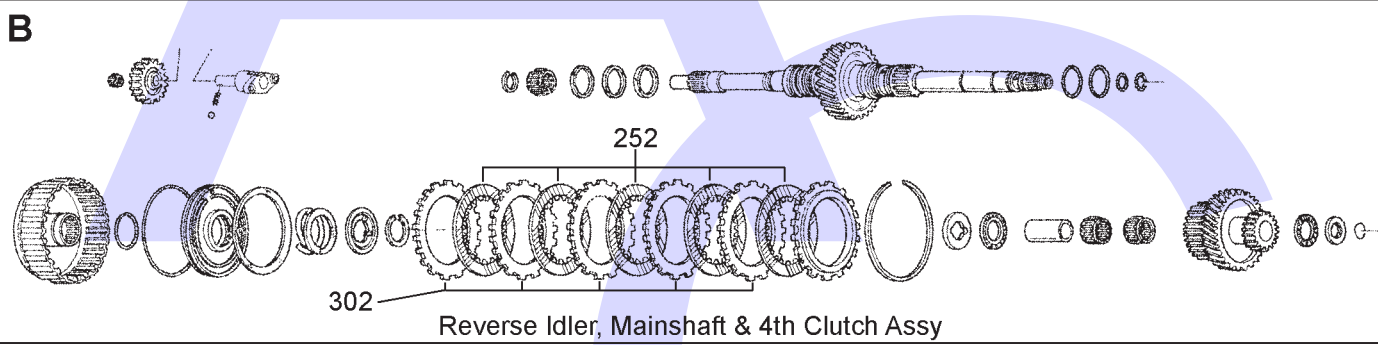
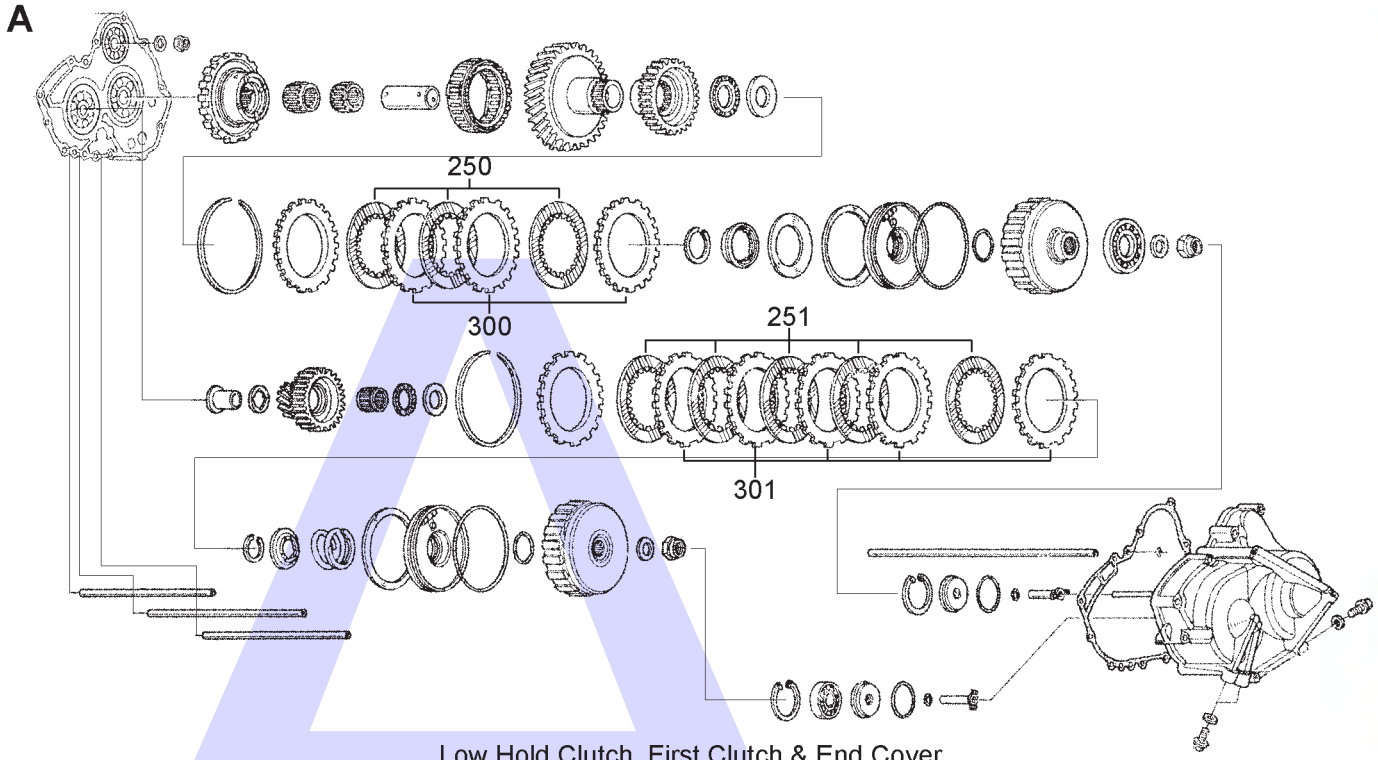
FWD 4 Speed 3 Shaft (Electronic Control)



AUTOMATIC CHOICE



THE AUTOMATIC TRANSMISSION PARTS WAREHOUSE



HONDA ACURA NSX MR9A (1991-2005)

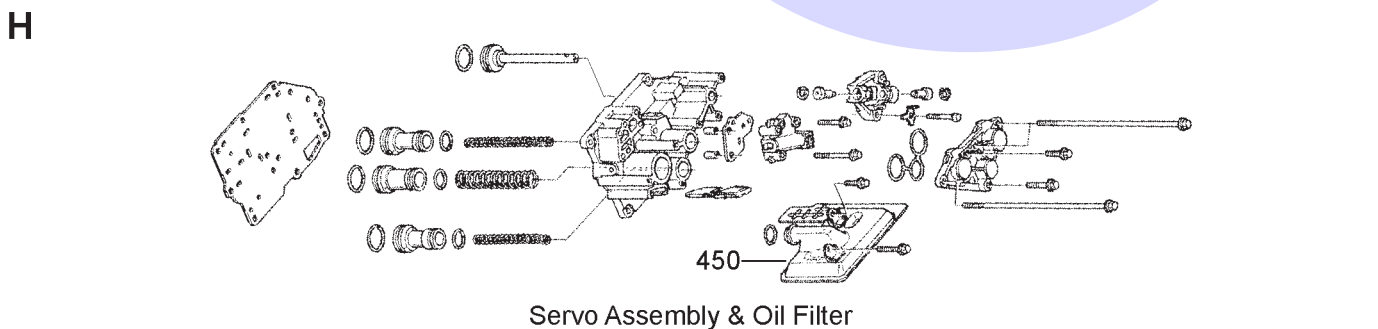
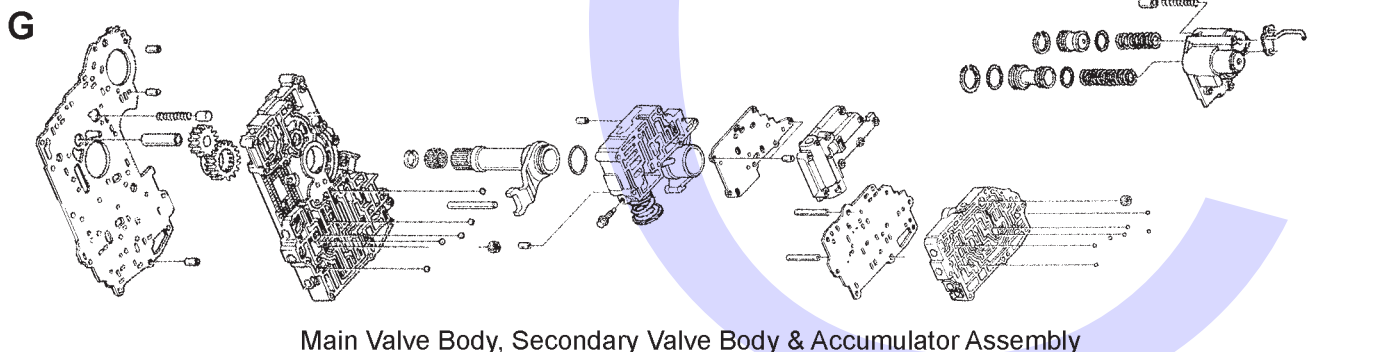
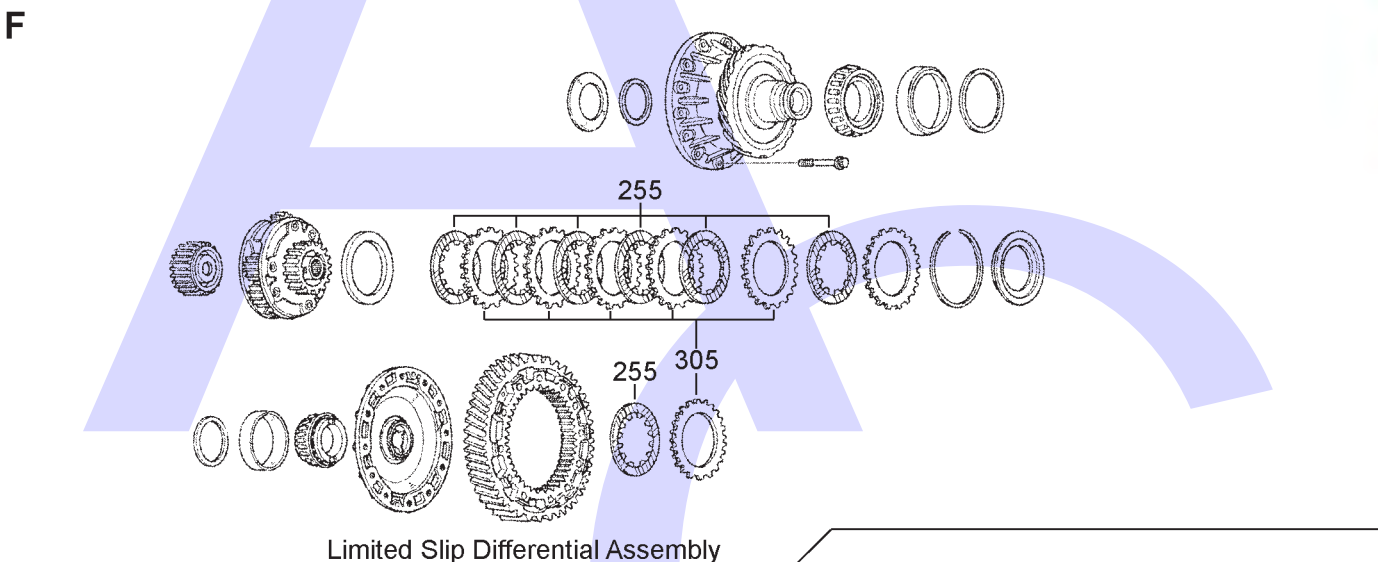
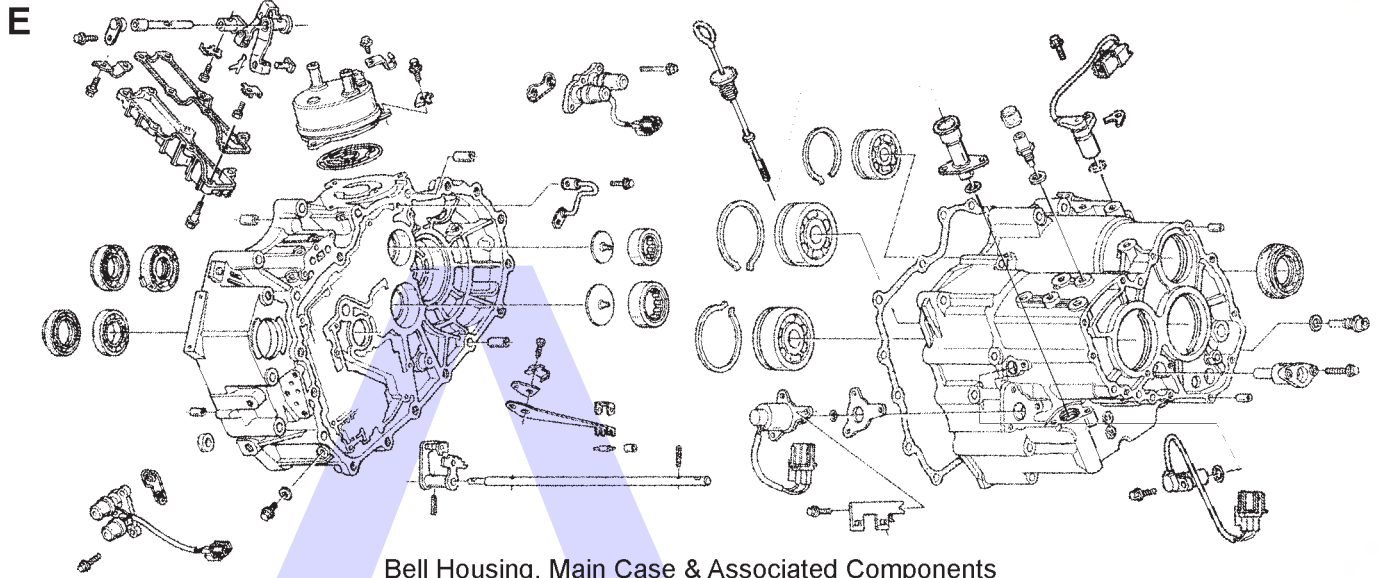
FWD 4 Speed 3 Shaft (Electronic Control)



AUTOMATIC CHOICE



THE AUTOMATIC TRANSMISSION PARTS WAREHOUSE



HONDA ACURA NSX MR9A (1991-2005)

FWD 4 Speed 3 Shaft (Electronic Control)



AUTOMATIC CHOICE



THE AUTOMATIC TRANSMISSION PARTS WAREHOUSE

| ILL NO. | DESCRIPTION | YEARS | QTY | PART NO |
|--------------------------|---|-------|-----|-------------|
| KITS | | | | |
| Kit | Master Overhaul Kit | 91-ON | 1 | HON4.MOHK01 |
| Kit | Overhaul Kit (Precision) | 91-ON | 1 | HON4.OHK58 |
| GASKETS | | | | |
| RUBBER COMPONENTS | | | | |
| METAL CLAD SEALS | | | | |
| MOULDED PISTONS | | | | |
| SEALING RINGS | | | | |
| FRICTION PLATES | | | | |
| Kit | Friction Plate (Alto) (Without Differential Frictions)... | 91-ON | 1 | HON4.FRK66 |
| Kit | Friction Plate (Alto) (With Differential Frictions)..... | 91-ON | 1 | HON4.FRK67 |
| 250A | Low Hold Clutch (Aftermarket) (120mm OD x 1.95mm x 44T) .. | 91-ON | 3 | HON4.FRP03 |
| 250A | Low Hold Clutch (Alto) (120mm OD x 1.95mm x 44T) .. | 91-ON | 3 | HON4.FRP54 |
| 251A | First Clutch (Aftermarket) (116mm OD x 1.90mm x 41T)... | 91-ON | 5 | HON4.FRP02 |
| 251A | First Clutch (Alto) (116mm OD x 1.90mm x 41T)... | 91-ON | 5 | HON4.FRP51 |
| 252B | Fourth Clutch (Aftermarket) (120mm OD x 1.95mm x 44T) .. | 91-ON | 5 | HON4.FRP16 |
| 252B | Fourth Clutch (Alto) (120mm OD x 1.95mm x 44T) .. | 91-ON | 5 | HON4.FRP52 |
| 253C | Third Clutch (Aftermarket) (120mm OD x 1.95mm x 44T) .. | 91-ON | 5 | HON4.FRP03 |
| 253C | Third Clutch (Alto) (120mm OD x 1.95mm x 44T) .. | 91-ON | 5 | HON4.FRP54 |
| 254D | Second Clutch (Aftermarket) (120mm OD x 1.95mm x 44T) .. | 91-ON | 5 | HON4.FRP03 |
| 254D | Second Clutch (Alto) (120mm OD x 1.95mm x 44T) .. | 91-ON | 5 | HON4.FRP54 |
| 255F | Differential Clutch (Aftermarket) (100mm OD x 1.75mm x 17T) .. | 91-ON | 7 | HON4.FRP54 |

| ILL NO. | DESCRIPTION | YEARS | QTY | PART NO |
|--------------------------------------|---|-------|-----|------------|
| STEEL PLATES | | | | |
| Kit | Steel Plate (Alto) (Without Differential Steels) | 91-ON | 1 | HON4.STK73 |
| Kit | Steel Plate (Alto) (With Differential Steels) | 91-ON | 1 | HON4.STK74 |
| 300A | First Hold Clutch (93mm ID x 2.10mm x 24T) | 91-ON | 3 | HON4.STP26 |
| 301A | First Clutch (87mm ID x 2.00mm x 24T) | 91-ON | 5 | HON4.STP13 |
| 302B | Fourth Clutch (93mm ID x 2.30mm x 24T) | 91-ON | 5 | HON4.STP05 |
| 303C | Third Clutch (93mm ID x 2.30mm x 24T) | 91-ON | 5 | HON4.STP05 |
| 304D | Second Clutch (93mm ID x 2.30mm x 24T) | 91-ON | 5 | HON4.STP05 |
| 305F | Differential Clutch (70mm ID x 2.50mm x 26T) | 91-ON | 3 | HON4.STP20 |
| PRESSURE PLATES | | | | |
| SPRINGS & CIRCLIPS | | | | |
| FILTERS | | | | |
| 450H | Pick Up Filter (AM Option) | 91-ON | 1 | HON4.FIL20 |
| 450H | Pick Up Filter (Precision Option) | 91-ON | 1 | HON4.FIL23 |
| BUSHINGS | | | | |
| THRUST WASHERS & BEARINGS | | | | |
| ELECTRICAL COMPONENTS | | | | |
| VALVE BODY PARTS | | | | |
| NI | Converter Charge Regulated Pressure Regulator Valve (Sonnax® Click Here for Info)... | 91-ON | 1 | HON4.VA03 |
| HARD PARTS | | | | |
| SPECIAL ITEMS | | | | |
| TOOLS & MANUALS | | | | |