

BAXA, MAXA, MDJA (Accord 4Cyl 98-02), MDWA (Odyssey 2.3Ltr 98),  
M6HA (Prelude 97-01), B6VA (2.3CL 98-99)

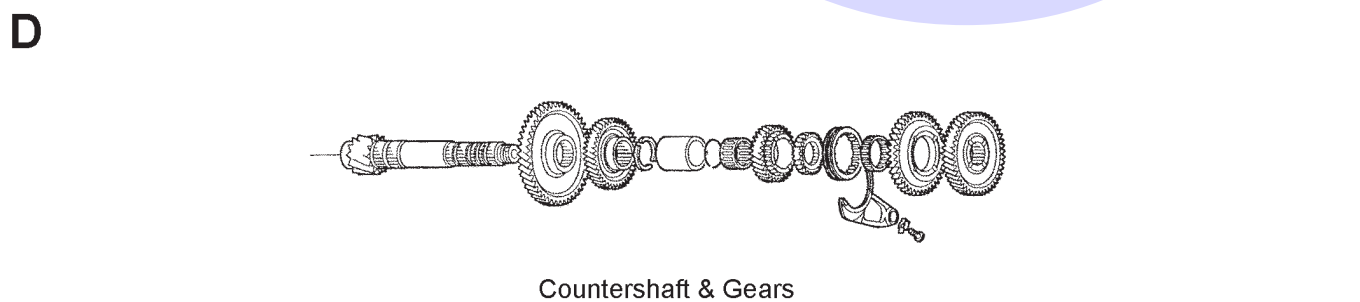
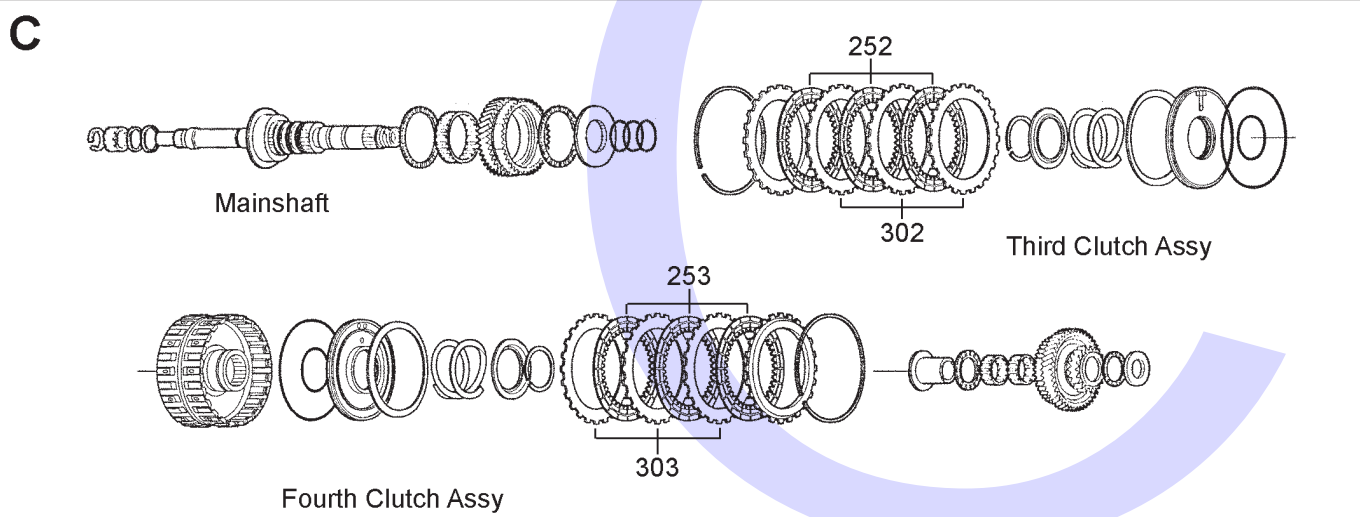
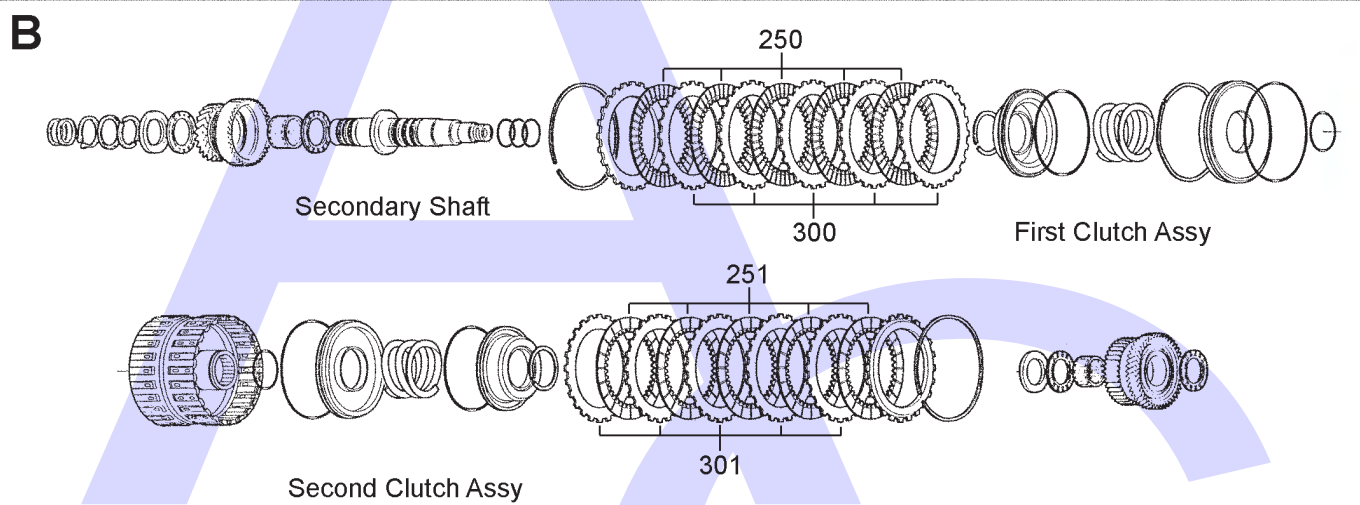
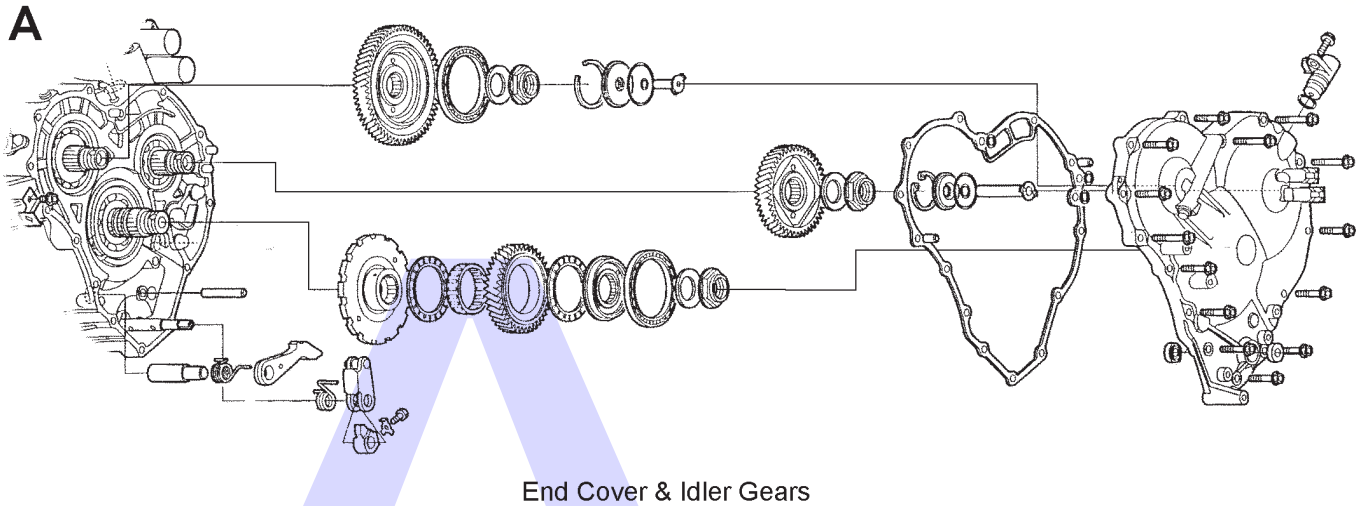
## 4 Speed 3 Shaft FWD (Electronic Control)



AUTOMATIC CHOICE



THE AUTOMATIC TRANSMISSION PARTS WAREHOUSE



BAXA, MAXA MDJA (Accord 4Cyl 98-02), MDWA (Odyssey 2.3Ltr 98),  
M6HA (Prelude 97-01), B6VA (2.3CL 98-99)

## 4 Speed 3 Shaft FWD (Electronic Control)

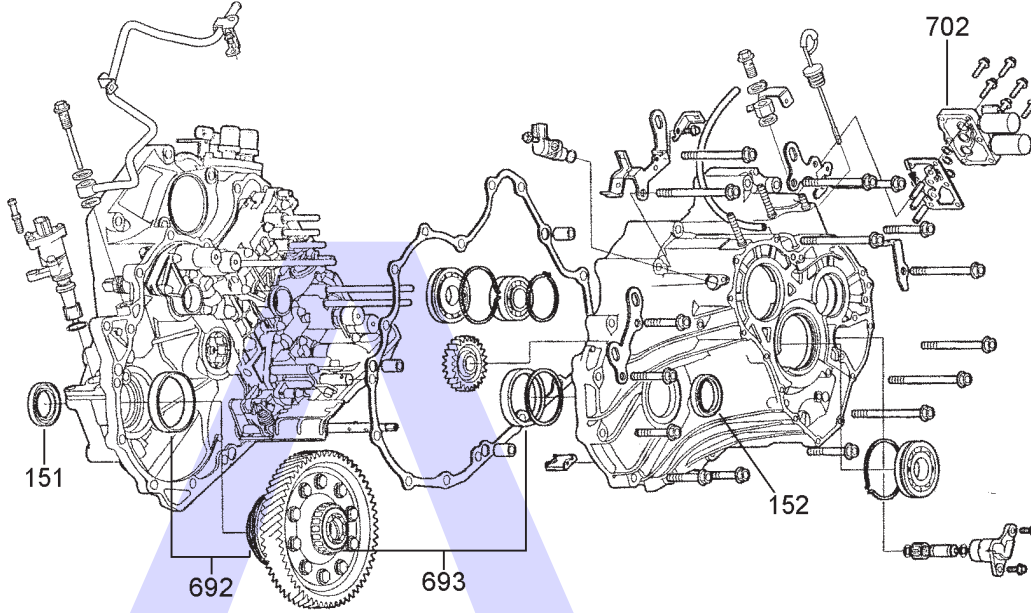


AUTOMATIC CHOICE

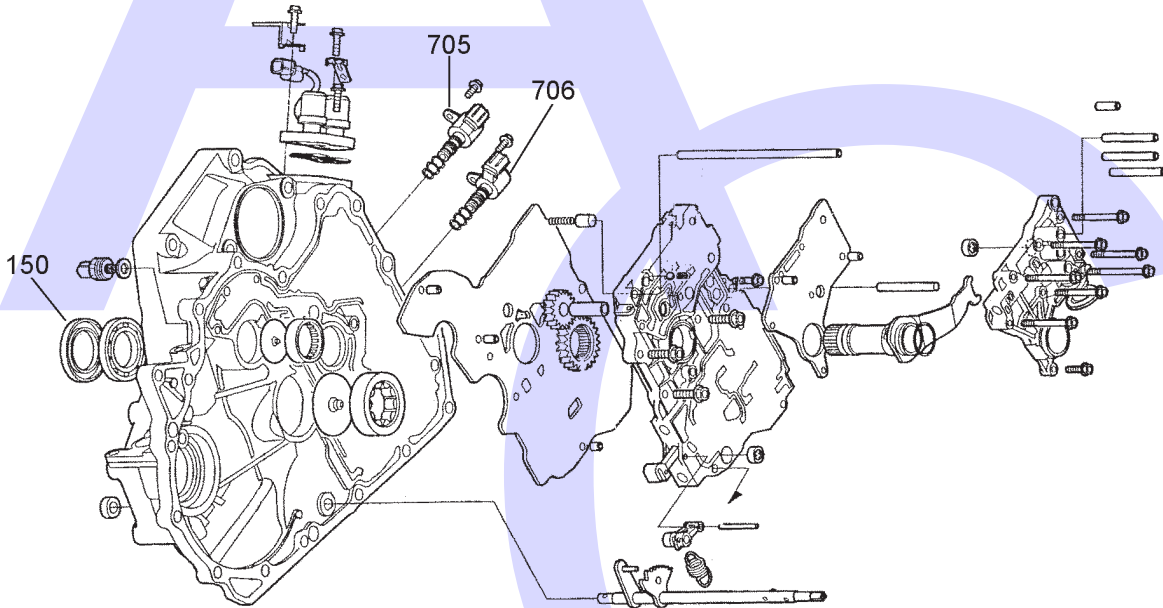


THE AUTOMATIC TRANSMISSION PARTS WAREHOUSE

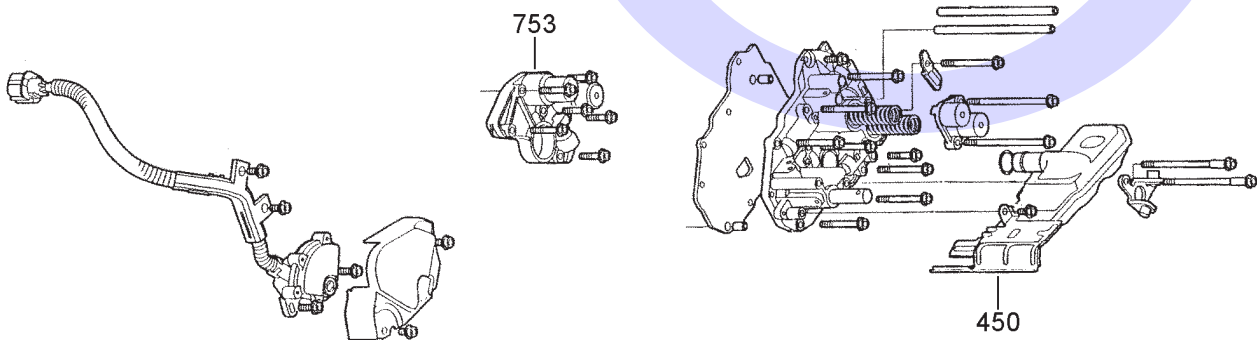
E



F



G



**BAXA, MAXA MDJA (Accord 4Cyl 98-02), MDWA (Odyssey 2.3Ltr 98), M6HA (Prelude 97-01), B6VA (2.3CL 98-99)**

**4 Speed 3 Shaft FWD (Electronic Control)**



AUTOMATIC CHOICE



THE AUTOMATIC TRANSMISSION PARTS WAREHOUSE

ILL NO.	DESCRIPTION	YEARS	QTY	PART NO
<b>KITS</b>				
Klt	Overhaul (Transtec) .....	97-02	1	HON4.OHK13
Klt	Overhaul (Precision) .....	97-02	1	HON4.OHK75
<b>GASKETS</b>				
<b>RUBBER COMPONENTS</b>				
<b>METAL CLAD SEALS</b>				
150F	Converter Seal .....	97-02	1	HON4.MCS02
151E	Axle Seal Left Hand (BAXA, MAXA, B6VA) .....	98-02	1	HON4.MCS04
152E	Axle Seal Right Hand .....	97-02	1	HON4.MCS08
<b>SEALING RINGS</b>				
<b>FRICTION PLATES</b>				
Kit	Friction Plate (Aftermarket) .....	97-02	1	HON4.FRK01
Kit	Friction Plate (Alto) .....	97-02	1	HON4.FRK54
250B	First Clutch (116mm OD x 1.90mm x 44T) ...	97-02	5-6	HON4.FRP22
251B	Second Clutch (116mm OD x 1.90mm x 44T) ...	97-02	4-5	HON4.FRP22
252C	Third Clutch (120mm OD x 1.90mm x 44T) ..	97-02	3	HON4.FRP03
252C	Third Clutch (Alto) (120mm OD x 1.90mm x 44T) ..	97-02	3	HON4.FRP54
253C	Fourth Clutch (120mm OD x 1.90mm x 44T) ..	97-02	3	HON4.FRP03
253C	Fourth Clutch (Alto) (120mm OD x 1.90mm x 44T) ..	97-02	3	HON4.FRP54
<b>STEEL PLATES</b>				
Klt	Steel Plate (M6HA, B6VA) .....	97-01	1	HON4.STK01
Klt	Steel Plate (Alto) (M6HA, B6VA) .....	97-01	1	HON4.STK55
Klt	Steel Plate (BAXA, MAXA, MDWA, MDJA) .....	98-99	1	HON4.STK02
Klt	Steel Plate (Alto) (BAXA, MAXA, MDWA, MDJA) .....	98-99	1	HON4.STK54
300B	First Clutch (91mm ID x 2.00mm x 24T) .....	97-02	5	HON4.STP12
301B	Second Clutch (B6VA, M6HA) (91mm ID x 1.60mm x 24T) .....	97-01	6	HON4.STP24
301B	Second Clutch (BAXA, MAXA, MDWA, MDJA) (91mm ID x 2.30mm x 24T) .....	98-02	5	HON4.STP11
301B	Second Clutch (Alto) (BAXA, MAXA, MDWA, MDJA) (91mm ID x 2.30mm x 24T) .....	98-02	5	HON4.STP27
302C	Third Clutch (93mm ID x 2.60mm x 24T) .....	97-02	3	HON4.STP04
303C	Fourth Clutch (93mm ID x 2.30mm x 24T) .....	97-02	3	HON4.STP05

ILL NO.	DESCRIPTION	YEARS	QTY	PART NO
<b>PRESSURE PLATES</b>				
<b>SPRINGS &amp; CIRCLIPS</b>				
<b>FILTERS</b>				
450G	Pick Up Filter (B6VA) .....	98-99	1	HON4.FIL11
450G	Pick Up Filter (All Plastic) (BAXA, M6HA, MAXA, MDWA, MDJA) .....	97-02	1	HON4.FIL11
<b>BUSHINGS</b>				
Kit	Bushing Kit (B6VA, BAXA, MAXA, M6HA) ..	97-02	1	HON4.BK05
<b>THRUST WASHERS &amp; BEARINGS</b>				
692E	Diff Side Bearing Assy (Left Hand) (40mm x 80mm x 18.75mm) .....	97-ON	1	HON4.BE26
693E	Diff Side Bearing Assy (Right Hand) (40mm x 76.20mm x 16mm) .....	97-ON	1	HON4.BE27
<b>ELECTRICAL COMPONENTS</b>				
702E	Clutch Pressure Control Solenoid Assembly 'A' & 'B' .....	97-ON	1	HON4.SOL11
705F	Shift Control Solenoid Valve 'B' (Black Connector) .....	97-ON	1	HON4.SOL12
706F	Shift Control Solenoid Valve 'C' (Brown Connector) .....	97-ON	1	HON4.SOL14
<b>VALVE BODY PARTS</b>				
753G	1-2 Accumulator Body (M6HA) .....	97-01	1	HON4.ACC01
NI	Converter Charge Regulated Pressure Regulator Valve (Sonnax@ <a href="#">Click for details</a> ) .....	97-ON	1	HON4.VA03
<b>HARD PARTS</b>				
<b>SPECIAL ITEMS</b>				
<b>TOOLS &amp; MANUALS</b>				
NI	ATSG Repair Manual .....	97-02	1	HON4.MAN07
NI	Solenoid Adjustment tool (Sonnax@ <a href="#">Click for details</a> ) .....	96-ON		HON4.VA01