

MAZDA, FORD JATCO G4A-EL, G4A-HL, GF4EAT 4 SPEED FWD (Electronic & Hydraulic Control)

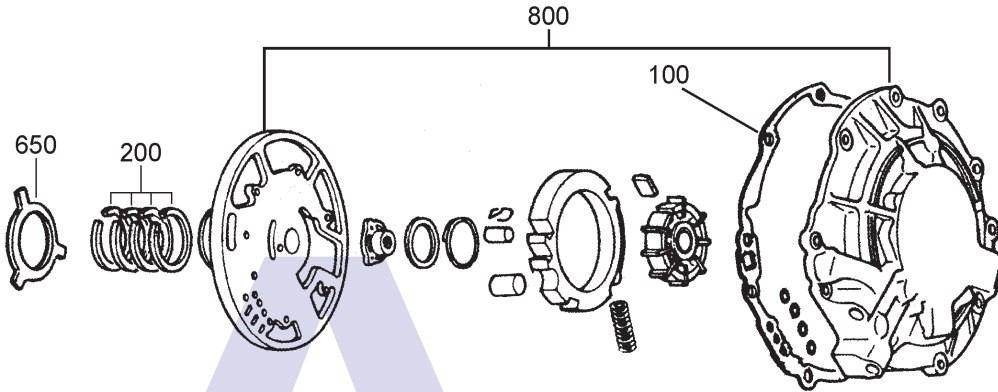


AUTOMATIC CHOICE



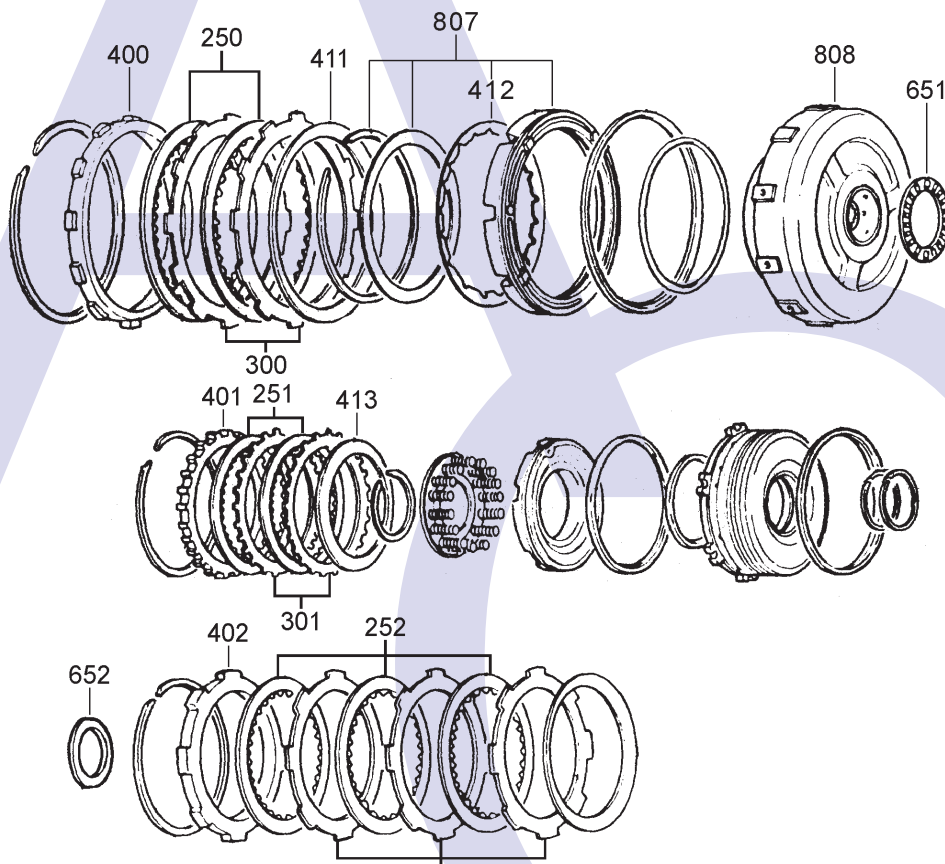
THE AUTOMATIC TRANSMISSION PARTS WAREHOUSE

A



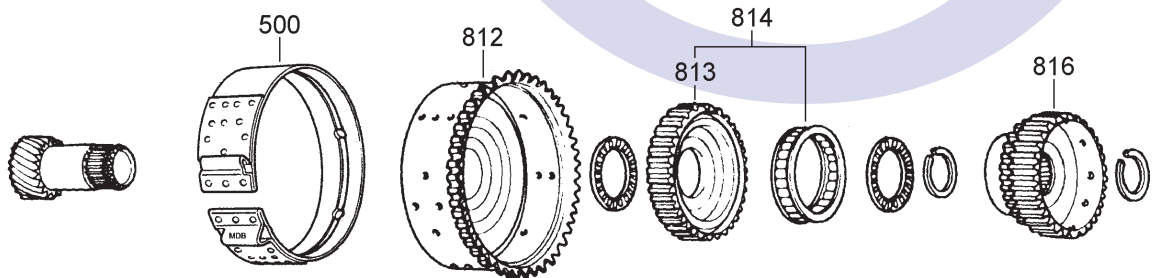
PUMP

B



REVERSE, COAST AND FORWARD CLUTCHES

C



BAND DRUM AND SUNGEAR

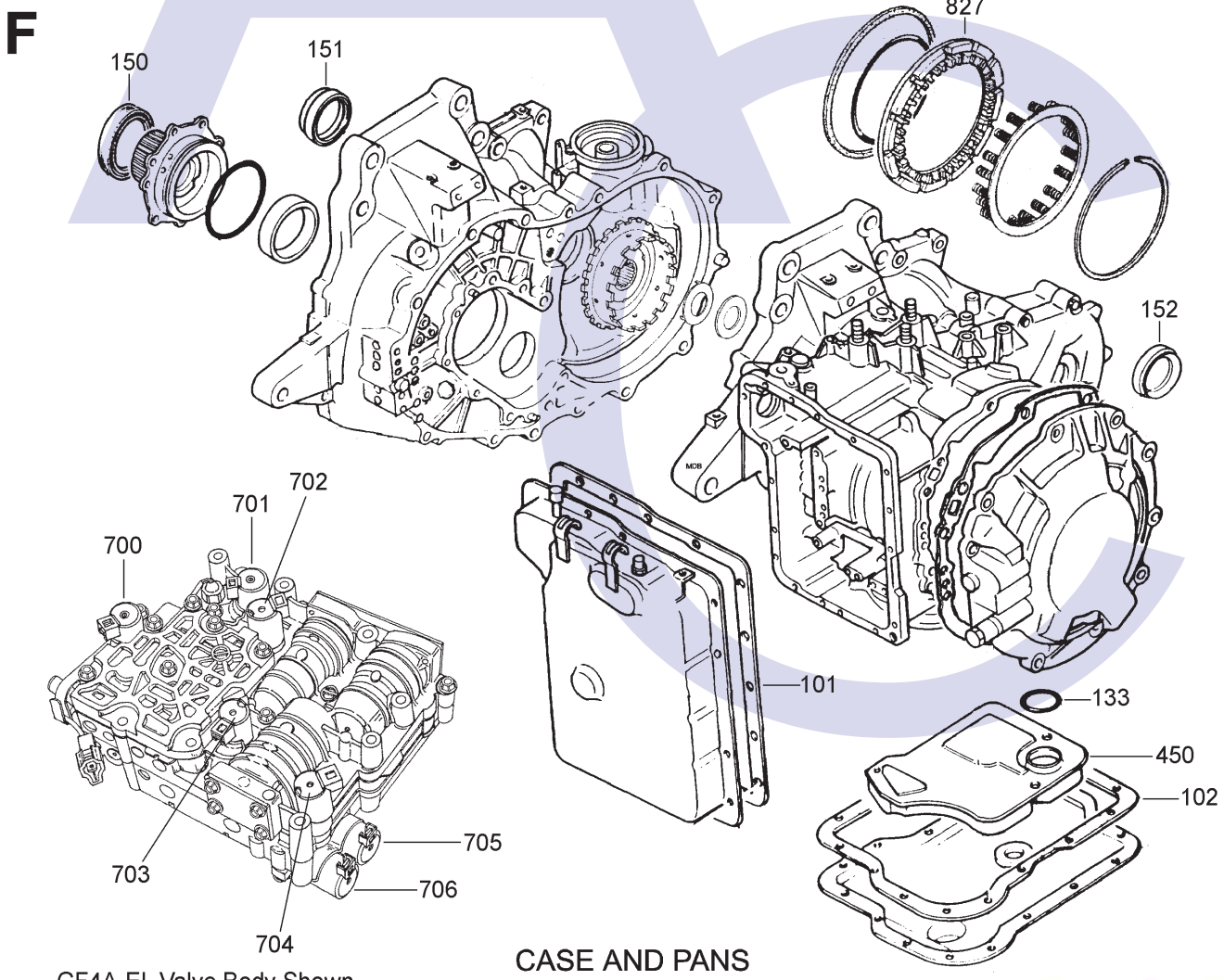
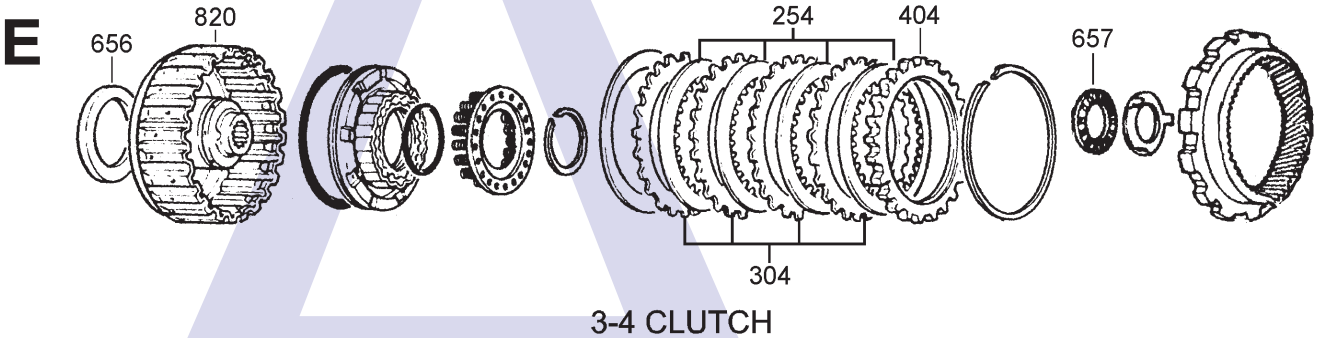
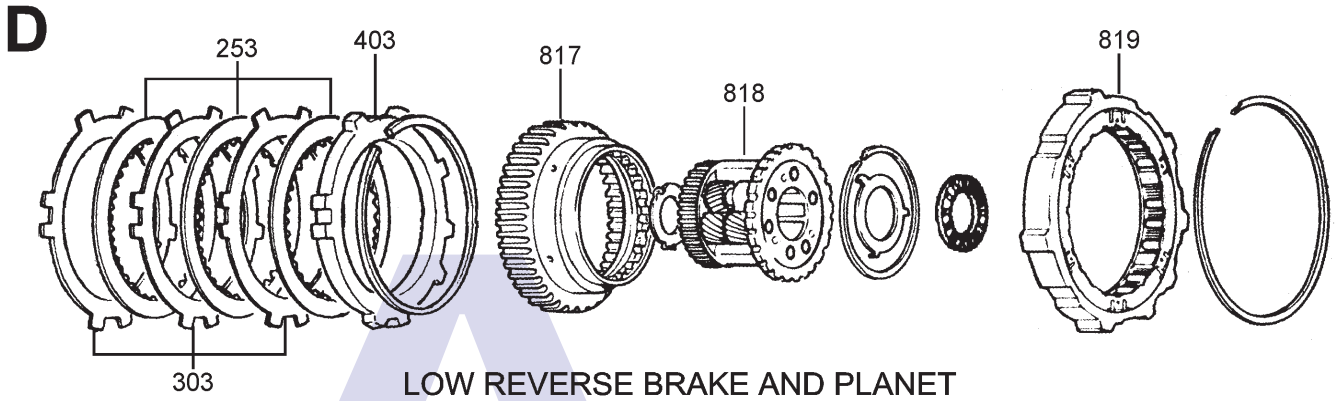
MAZDA, FORD JATCO G4A-EL, G4A-HL, GF4EAT 4 SPEED FWD (Electronic & Hydraulic Control)



AUTOMATIC CHOICE



THE AUTOMATIC TRANSMISSION PARTS WAREHOUSE



MAZDA, FORD JATCO G4A-EL, G4A-HL, GF4EAT 4 SPEED FWD (Electronic & Hydraulic Control)



AUTOMATIC CHOICE



THE AUTOMATIC TRANSMISSION PARTS WAREHOUSE

ILL NO.	DESCRIPTION	YEARS	QTY	PART NO
KITS				
Kit	Overhaul Kit (Transtec)	86-92	1	G4A.OHK01
Kit	Overhaul Kit (Precision)	86-92	1	G4A.OHK51
Kit	Overhaul Kit (Transtec)	93-ON	1	G4A.OHK02
Kit	Overhaul Kit (Precision)	93-97	1	GF4.OHK51
Kit	Gasket & Rubber Kit (Transtec)	86-92	1	G4A.GSK01
Kit	Gasket & Rubber Kit (Transtec)	93-ON	1	G4A.GSK02
Kit	Valve Body Gasket	86-89	1	G4A.GK01
Kit	Valve Body Gasket	90-92	1	G4A.GK02
Kit	Valve Body Gasket	93-ON	1	G4A.GK03
Kit	Valve Body Gasket (Hydraulic)	86-92	1	G4A.GK004
GASKETS				
100A	Pump Gasket	86-ON	1	G4A.GAS02
101F	Valve Body Cover Gasket (No Ident Tags)	86-ON	1	G4A.GAS03
101F	Valve Body Cover Gasket (Turbo Fibre)	86-ON	1	G4A.GAS04
102F	Pan Gasket Non Turbo (No Ident Tags)	86-ON	1	G4A.GAS01
102F	Pan Gasket Turbo (Fibre)	86-ON	1	G4A.GAS10
RUBBER COMPONENTS				
133F	Filter 'O' Ring	93-ON	1	G4A.OR02
NI	Coast Clutch Improver Ring	86-ON	1	G4A.SQR01
METAL CLAD SEALS				
150F	Converter Seal	86-ON	1	G4A.MCS01
151F	Axle Seal R/Hand	86-ON	1	G4A.MCS02
152F	Axle Seal L/Hand	86-ON	1	G4A.MCS02
NI	Retainer - Converter Seal	86-ON	AR	G4A.RET01
SEALING RINGS				
Kit	Sealing Ring Kit	86-ON	1	G4A.SRK01
Kit	Sealing Ring Kit (With Teflon Acc Seals)	86-ON	1	G4A.SRK02
200A	Pump Cover Sealing Ring (Teflon)	86-ON	4	G4A.SSR01
200A	Pump Cover Sealing Ring (Steel)	86-ON	4	G4A.SSR02
FRICION PLATES				
Kit	Friction Plate (Alto) (G4A-HL, G4A-EL) (Mazda 626, MX6)	86-87	1	G4A.FRK51
Kit	Friction Plate (Alto) (G4A-HL, G4A-EL Non Turbo) (Mazda 626, MX6)	88-92	1	G4A.FRK52
Kit	Friction Plate (Alto) (G4A-HL, G4A-EL Turbo) (Mazda 626, MX6)	88-92	1	G4A.FRK53
Kit	Friction Plate (Alto) (GF4A-EL) (Mazda 626, MX6 2.5 Ltr)	93-ON	1	G4A.FRK55
Kit	Friction Plate (Alto) (G4A-EL) (Ford Capri)	91-94	1	G4A.FRK52
Kit	Friction Plate (Alto) (G4A-EL) (Protege)	90-91	1	G4A.FRK53

ILL NO.	DESCRIPTION	YEARS	QTY	PART NO
FRICION PLATES Cont...				
Kit	Friction Plate (Alto) (Ford Probe 2.2 Ltr)	89-92	1	G4A.FRK52
Kit	Friction Plate (Alto) (Ford Probe 2.0 Ltr)	1993	1	G4A.FRK52
Kit	Friction Plate (Alto) (Ford Probe 2.5 Ltr)	93-97	1	G4A.FRK55
Kit	Friction Plate (Alto) (Probe 3.0 Ltr & Turbo)	89-92	1	G4A.FRK53
Kit	Friction Plate (Alto) (Millenia 2.5 Ltr)	97-00	1	G4A.FRK55
Kit	Friction Plate (Alto) (Millenia 2.5 Ltr)	01-ON	1	G4A.FRK54
Kit	Friction Plate (Alto) (MPV)	00-ON	1	G4A.FRK55
250B	Reverse Clutch Wedge Teeth (195mm OD x 1.60mm x 58T)	86-87	2	G4A.FRP05
250B	Reverse Clutch Square Teeth (195mm OD x 1.60mm x 58T)	88-00	2	G4A.FRP03
250B	Reverse Clutch Square Teeth (195mm OD x 1.60mm x 32T)	01-ON	2	G4A.FRP09
251B	Coast Clutch Wedge Teeth (132mm OD x 1.60mm x 44T)	86-87	2	G4A.FRP02
251B	Coast Clutch Square Teeth (132mm OD x 1.60mm x 44T)	88-ON	2	G4A.FRP07
252B	Forward Clutch (145mm OD x 1.60mm x 48T)	86-ON	3-4	G4A.FRP01
253D	L & R Clutch Wedge Teeth (195mm OD x 1.60mm x 58T)	86-87	3	G4A.FRP05
253D	L & R Clutch Square Teeth (195mm OD x 1.60mm x 58T)	88-ON	4-5	G4A.FRP03
254E	3-4 Clutch Grooved (117mm OD x 1.60mm x 50T)	86-ON	5	G4A.FRP04
254E	3-4 Clutch Smooth (117mm OD x 1.60mm x 50T)	86-ON	5	G4A.FRP08
STEEL PLATES				
Kit	Steel Plate (Alto) (G4A-HL, G4A-EL) (Mazda 626, MX6)	86-87	1	G4A.STK51
Kit	Steel Plate (Alto) (G4A-HL, G4A-EL Non Turbo) (Mazda 626, MX6)	88-92	1	G4A.STK52
Kit	Steel Plate (Alto) (G4A-HL, G4A-EL Turbo) (Mazda 626, MX6)	88-92	1	G4A.STK53
Kit	Steel Plate (Alto) (G4A-HL, G4A-EL Turbo) (Mazda 626, MX6 2.0 Ltr)	93-94	1	G4A.STK54
Kit	Steel Plate (Alto) (G4A-EL) (Ford Capri)	91-94	1	G4A.STK52
Kit	Steel Plate (Alto) (G4A-EL) (Protege)	90-91	1	G4A.STK53
Kit	Steel Plate (Alto) (Ford Probe 2.0 Ltr)	1993	1	G4A.STK54
Kit	Steel Plate (Alto) (Ford Probe 2.2 Ltr)	89-92	1	G4A.STK52
Kit	Steel Plate (Alto) (Probe 3.0 Ltr & Turbo)	89-92	1	G4A.STK53
300B	Reverse Input Clutch (180mm ID x 1.65mm x 12T)	86-ON	2	G4A.STP03
300B	Reverse Input Clutch (180mm ID x 1.60mm x 32T)	93-ON	2	G4A.STP04
302B	Forward Clutch (122mm ID x 1.65mm x 8T)	86-92	3-4	G4A.STP08

MAZDA, FORD JATCO G4A-EL, G4A-HL, GF4EAT 4 SPEED FWD (Electronic & Hydraulic Control)



AUTOMATIC CHOICE



THE AUTOMATIC TRANSMISSION PARTS WAREHOUSE

ILL NO.	DESCRIPTION	YEARS	QTY	PART NO
STEEL PLATES Cont...				
302B	Forward Clutch (122mm ID x 1.65mm x 32T)	93-ON	3	G4A.STP10
301B	Coast Clutch (112mm ID x 1.65mm x 32T)	86-ON	2-3	G4A.STP02
303D	Low & Reverse Clutch (180mm ID x 1.65mm x 15T)	86-ON	3-5	G4A.STP05
304E	3-4 Clutch (101mm ID x 1.60mm x 16T)	86-87	5	G4A.STP01
304E	3-4 Clutch Non Turbo (101mm ID x 1.60mm x 30T)	88-92	5	G4A.STP06
304E	3-4 Clutch Turbo (101mm ID x 2.30mm x 30T)	88-92	5	G4A.STP07
304E	3-4 Clutch (101mm ID x 3.30mm x 30T)	93-ON	4	G4A.STP09
PRESSURE PLATES				
400B	Rev Input Pressure Plate (7.00mm Thick)	86-ON	AR	G4A.PP01
	(7.20mm Thick)	86-ON	AR	G4A.PP03
	(7.40mm Thick)	86-ON	AR	G4A.PP02
401B	Coast Clutch Pressure Plate (3.60mm Thick 34T)	86-ON	1	G4A.PP14
402B	Forward Clutch Pressure Plate (5.00mm Thick 16T)	88-ON	1	G4A.PP16
	(6.00mm Thick 8T)	86-ON	1	G4A.PP19
403D	Low & Rev Pressure Plate (6.90mm Thick 9T)	86-ON	1	G4A.PP17
	(7.20mm Thick 9T)	86-ON	1	G4A.PP04
	(10.00mm Thick 9T)	86-ON	1	G4A.PP18
404E	3-4 Clutch Pressure Plate (3.90mm Thick)	86-92	AR	G4A.PP05
	(3.80mm Thick)	86-92	AR	G4A.PP06
	(4.50mm Thick)	86-92	AR	G4A.PP07
404E	3-4 Clutch Pressure Plate (3.80mm Thick)	93-ON	AR	G4A.PP08
	(4.00mm Thick)	93-ON	AR	G4A.PP09
	(4.20mm Thick)	93-ON	AR	G4A.PP10
	(4.40mm Thick)	93-ON	AR	G4A.PP11
	(4.60mm Thick)	93-ON	AR	G4A.PP12
	(4.80mm Thick)	93-ON	AR	G4A.PP13
SPRINGS & CIRCLIPS				
411B	Reverse Clutch Cushion Plate ..	86-ON	1	G4A.DIA04
412B	Rev Clutch Diaphragm Spring (0.81mm Thick)	86-92	2	G4A.DIA01
412B	Rev Clutch Diaphragm Spring 1.50mm Thick	89-ON	1	G4A.DIA02
413B	Coast Clutch Cushion Plate	86-ON	1	G4A.DIA03
NI	Reverse Clutch Waved Plate Modified to enable worn drum to be used	86-ON	Alt	G4A.STP20
FILTERS				
450F	Filter 4 Bolt Holes (15mm Deep)	86-87	1	G4A.FIL01
450F	Filter 3 Bolt Holes (25mm Deep)	88-92	1	G4A.FIL02
450F	Filter (Plastic/Metal)	93-ON	1	G4A.FIL03
450F	Filter 3 Bolt Holes (38mm Deep)	88-92	1	G4A.FIL04

ILL NO.	DESCRIPTION	YEARS	QTY	PART NO
BANDS				
500C	Band 38mm Wide	86-ON	1	G4A.BAN02
500C	Band 45mm Wide (Turbo)	86-ON	1	G4A.BAN01
BUSHES				
Kit	Bush Kit (EL & HL)	86-92	1	G4A.BK01
NI	Convertor Hub Bush 57mm	86-ON	1	G4A.BUS02
NI	Pump Bush 53mm ID	86-ON	1	G4A.BUS01
THRUST BEARINGS & WASHERS				
650A	Front Support Sel 1.2mm	86-ON	AR	G4A.THW01
650A	Front Support Sel 1.4mm	86-ON	AR	G4A.THW02
650A	Front Support Sel 1.6mm	86-ON	AR	G4A.THW03
650A	Front Support Sel 1.8mm	86-ON	AR	G4A.THW04
650A	Front Support Sel 2.0mm	86-ON	AR	G4A.THW05
650A	Front Support Sel 2.2mm	86-ON	AR	G4A.THW06
651B	Thrust Bearing Pump	86-ON	1	G4A.THW10
652B	Thrust Bearing (OWC I.Race to I.Drum)	86-ON	1	G4A.THW11
656E	Thrust Bearing (3-4 Clutch to Output Shell)	86-ON	1	G4A.THW12
657E	Thrust Bearing (3-4 Clutch to Planetary)	86-ON	1	G4A.THW11
NI	Bearing & Race Assy Final Drive Both Sides (21 Rollers)	86-ON	2	G4A.BE01
ELECTRICAL COMPONENTS				
Kit	Solenoid Kit Contains all 4 Solenoids with Harness & Brackets	86-92	1	G4A.SOL18
Kit	Solenoid Kit Contains all 7 solenoids	93-ON	1	G4A.SOL11
700F	Lock Up Solenoid	93-ON	1	G4A.SOL12
701F	Pressure Control Solenoid	93-ON	1	G4A.SOL12
702F	3-2 Downshift Solenoid	93-ON	1	G4A.SOL17
703F	1-2 Shift Solenoid	93-ON	1	G4A.SOL13
704F	Lock Up Control Solenoid	93-ON	1	G4A.SOL16
705F	3-4 Shift Solenoid (Green Connector)	93-ON	1	G4A.SOL15
706F	2-3 Shift Solenoid (Brown Connector)	93-ON	1	G4A.SOL14
VALVE BODY PARTS				
Kit	Shift Kit (HL & EL)	86-93	1	G4A.SK01
Kit	Shift Kit (GF4A-EL)	93-On	1	G4A.SK02
Kit	Pump Flow Modification Kit (Sonnax® Click here for Info) ...	93-ON	1	F4A.PUM02
Kit	Pressure Boost Valve Kit	86-93	1	G4A.VA01
Kit	Pressure Boost Valve Kit	93-ON	1	G4A.VA02
Kit	Pressure Regulator Valve (Oversize) (Sonnax® Req G4A.VA06)	86-ON	1	G4A.VA05
Kit	Reamer for G4A.VA05 (Sonnax®)	86-ON	1	G4A.VA06

