

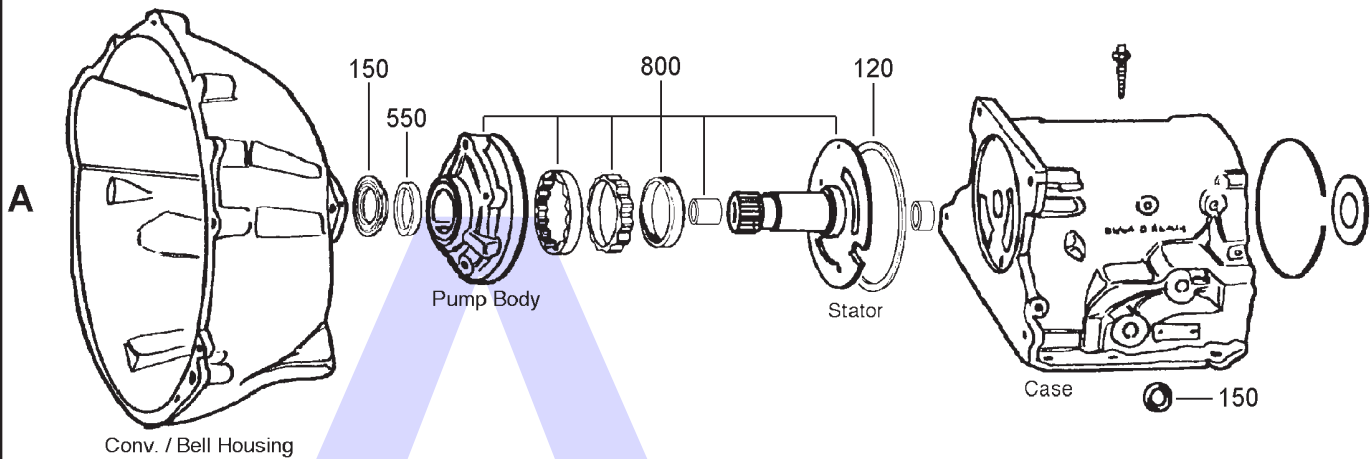
**Cruiseomatic FMX, (Small Case 68-78) Fordomatic FX (Small Case 51-67)
 Fordomatic MX (Medium Case 55-71), Lincoln Turbo-Drive (Large Case 55-65)
 3 SPEED RWD (Hydraulic Control)**



AUTOMATIC CHOICE

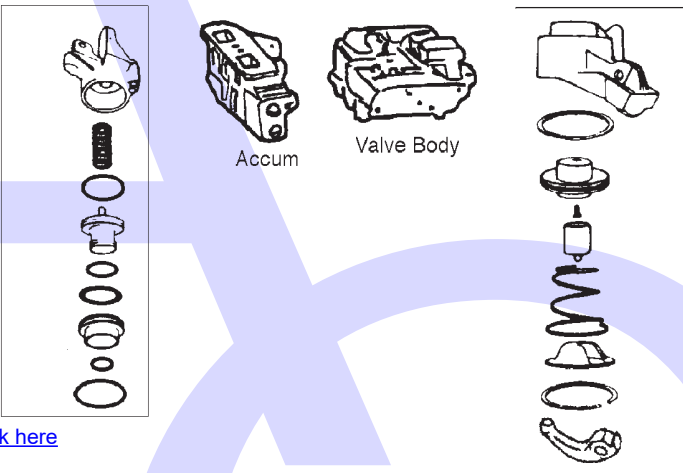


THE AUTOMATIC TRANSMISSION PARTS WAREHOUSE

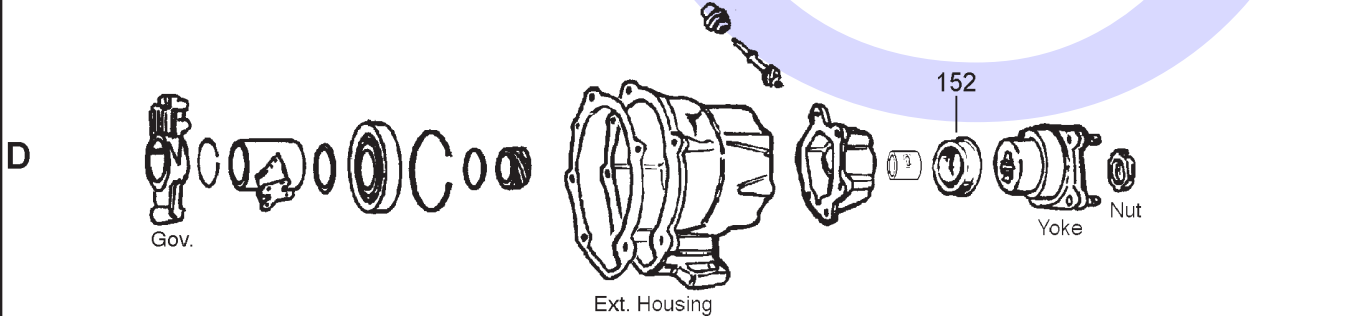
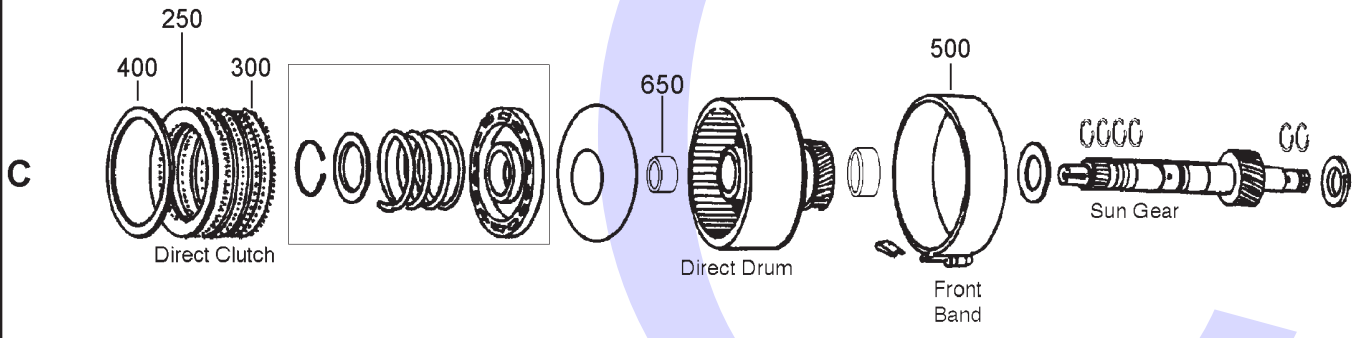


NOTE:
 To help determine which case you have you must measure the length of the case, DO NOT measure the extension housing or bell housing.

| | |
|--------------------------|---------|
| Small Case | 9 7/8" |
| Medium Case | 10 1/4" |
| Large Case ...58-60... | 10 7/8" |
| Large Case61-65... | 11 1/2" |



[For more detailed identification of these units Click here](#)



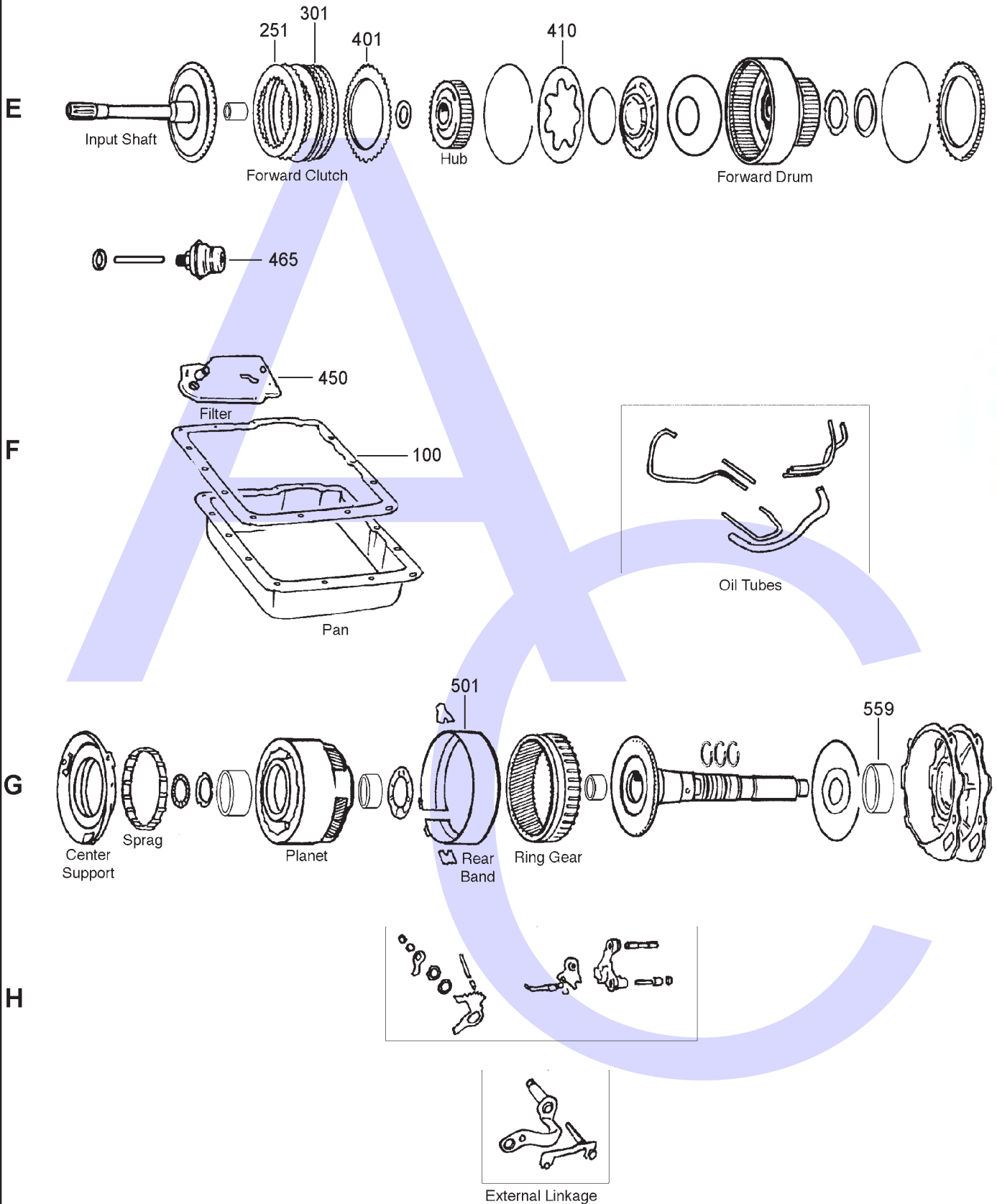
**Cruiseomatic FMX, (Small Case 68-78) Fordomatic FX (Small Case 51-67)
 Fordomatic MX (Medium Case 55-71), Lincoln Turbo-Drive (Large Case 55-65)
 3 SPEED RWD (Hydraulic Control)**



AUTOMATIC CHOICE



THE AUTOMATIC TRANSMISSION PARTS WAREHOUSE



**Cruiseomatic FMX, (Small Case 68-78) Fordomatic FX (Small Case 51-67)
Fordomatic MX (Medium Case 55-71), Lincoln Turbo-Drive (Large Case 55-65)
3 SPEED RWD (Hydraulic Control)**



AUTOMATIC CHOICE



THE AUTOMATIC TRANSMISSION PARTS WAREHOUSE

| ILL NO. | DESCRIPTION | YEARS | QTY | PART NO |
|--------------------------|--|-------|-----|---------------|
| KITS | | | | |
| Kit | Master Overhaul Kit (FMX)..... | 68-81 | 1 | FMX.MOHK01 |
| Kit | Master Overhaul Kit (Medium Case)..... | 58-65 | 1 | FMX.MOHK03 |
| Kit | Master Overhaul Kit (Large Case)..... | 58-65 | 1 | FMX.MOHK02 |
| Kit | Master Overhaul Kit (Lincoln Turbo-Drive)..... | 55-65 | 1 | TURBOD.MOHK01 |
| Kit | Overhaul Kit (FMX) (Transtec)..... | 68-81 | 1 | FMX.OHK01 |
| Kit | Overhaul Kit MX (Transtec) (Medium Case Foromatic)..... | 55-71 | 1 | FMX.OHK02 |
| Kit | Overhaul Kit MX (Precision) (Medium Case Foromatic)..... | 55-67 | 1 | FMX.OHK51 |
| Kit | Overhaul Kit (Transtec) (Small Case Fordomatic)..... | 51-57 | 1 | FMX.OHK03 |
| Kit | Overhaul Kit (Precision) (Small Case Fordomatic)..... | 51-67 | 1 | FMX.OHK52 |
| GASKETS | | | | |
| 100F | Pan Gasket, Cork (FMX)..... | 68-78 | 1 | BW12.GAS01 |
| 100F | Pan Gasket, Fibre (FMX)..... | 68-78 | 1 | BW12.GAS10 |
| 100F | Pan Gasket (15 Holes) (MX or Medium Case)..... | 55-71 | 1 | FMX.GAS02 |
| 100F | Pan Gasket (15 Holes, Farpack®) (MX or Medium Case)..... | 55-71 | 1 | FMX.GAS12 |
| 100F | Pan Gasket (14 Holes) (Large Case)..... | 58-60 | 1 | FMX.GAS03 |
| 100F | Pan Gasket (16 Holes) (Large Case)..... | 61-65 | 1 | FMX.GAS04 |
| RUBBER COMPONENTS | | | | |
| 120A | Pump to Case Seal..... | 68-81 | 1 | BW12.SQR01 |
| METAL CLAD SEALS | | | | |
| 150A | Pump Body (FMX, FX, MX) (68mm x 47mm x 9.5mm)..... | 51-71 | 1 | BW12.MCS01 |
| 150A | Pump Body (FMX, FX, MX) (69.8mm x 49.5mm x 9.5mm)..... | 68-81 | 1 | C4.MCS01 |
| 151A | Selecter Shaft..... | All | 1 | C3.MCS03 |
| 152D | Extension Housing (Without Boot)..... | 68-81 | 1 | C4.MCS02 |
| 152D | Extension Housing (w/ Bolt on Yoke) 78x51x13mm..... | 68-81 | 1 | BW12.MCS02 |
| 152D | Extension Housing (Some Without Boot)..... | 57-74 | 1 | TH700.MCS02 |
| FRICTION PLATES | | | | |
| Kit | Friction Plate (FMX)..... | 68-81 | 1 | BW12.FRK02 |
| Kit | Friction Plate (FMX) (Alto)..... | 68-81 | 1 | FMX.FRK51 |
| 250C | Friction Direct (2.24mm)..... | All | 5 | BW12.FRP02 |
| 251E | Friction Forward (1.55mm)..... | All | 5 | BW12.FRP01 |
| 251E | Friction Forward (FMX) (1.85mm x 45 Teeth)..... | All | 5 | FMX.FRP01 |
| STEEL PLATES | | | | |
| Kit | Steel Plate Kit (FMX)..... | 68-81 | 1 | BW12.STK02 |
| Kit | Steel Plate Kit (FMX) (Alto)..... | 68-81 | 1 | FMX.STK51 |
| 300C | Direct Clutch (Flat 1.73mm)..... | 50-81 | 7-8 | BW12.STP01 |
| 300C | Direct Clutch (Dished 1.70mm)..... | 50-81 | 4-6 | BW12.STP02 |
| 301E | Forward Clutch (Flat 1.73mm)..... | 50-81 | 7-8 | BW12.STP01 |

| ILL NO. | DESCRIPTION | YEARS | QTY | PART NO |
|--------------------------------------|--|-------|-----|--------------|
| PRESSURE PLATES | | | | |
| 400C | Direct Clutch Outer..... | 68-81 | 1 | FMX.PP01 |
| 400C | Direct Clutch Outer (Alternative)..... | 68-81 | 1 | BW12.PP01 |
| 401E | Forward Clutch, (Inner, FMX)..... | 68-81 | 1 | FMX.PP02 |
| SPRINGS & CIRCLIPS | | | | |
| 410E | Diaphragm-Fwd Clutch (FMX)..... | 68-81 | 1 | BW12.DIA01 |
| 410E | Diaphragm-Fwd Clutch (Large Case)x..... | 58-65 | 1 | FMX.DIA03 |
| FILTERS | | | | |
| 450F | Pan Filter (FMX Brass)..... | 68-81 | 1 | FMX.FIL01 |
| 450F | Pan Filter (FMX Felt)..... | 68-81 | 1 | FMX.FIL03 |
| 450F | Pan Filter (Medium Case)..... | 55-ON | 1 | FMX.FIL02 |
| MODULATORS | | | | |
| 465E | Lincoln (Turb-Drive)..... | 55-65 | 1 | TURBOD.MOD01 |
| 465E | Blue Stripe (Single Line)..... | 68-81 | 1 | FMX.MOD01 |
| 465E | Green Stripe (Single Line)..... | 68-81 | 1 | FMX.MOD02 |
| 465E | Orange Stripe (Dual Line) (302 Eng)..... | 68-81 | 1 | FMX.MOD03 |
| BANDS | | | | |
| 500C | Front (FMX Flex)..... | 73-81 | 1 | BW12.BAN01 |
| 500C | Front (FMX Flex) (Alto)..... | 73-81 | 1 | FMX.BAN04 |
| 500C | Front (FMX Solid)..... | 68-73 | 1 | FMX.BAN01 |
| 500C | Front (Not FMX Centre Lug)..... | 55-66 | 1 | FMX.BAN02 |
| 500C | Front (FX Small Case) (Offset Lug, Paper Lining)..... | 1967 | 1 | FMX.BAN06 |
| 500C | Front (Turbo-Drive)..... | 55-65 | 1 | TURBOD.BAN01 |
| 501G | Rear (FMX)..... | 68-81 | 1 | BW12.BAN02 |
| 501G | Rear (Not FMX)..... | 51-55 | 1 | FMX.BAN03 |
| 501G | Rear (Large Case)..... | 58-65 | 1 | FMX.BAN05 |
| 501G | Rear (Turbo-Drive)..... | 55-65 | 1 | TURBOD.BAN02 |
| BUSHINGS | | | | |
| Kit | Bush Kit (FMX)..... | 68-81 | 1 | FMX.BK01 |
| Kit | Bush Kit (Turbo-Drive)..... | 55-65 | 1 | TURBOD.BK01 |
| 550A | Pump Body (FMX)..... | 68-81 | 1 | FMX.BUS01 |
| 559G | Rear Case (FMX)..... | 68-81 | 1 | FMX.BUS02 |
| THRUST WASHERS & BEARINGS | | | | |
| 650C | Bearing, Needle Roller, FMX (Direct Clutch)..... | 68-81 | 1 | BW12.BE01 |
| VALVE BODY PARTS | | | | |
| NI | Shift Kit®, (FMX, Street Use)..... | 67-72 | 1 | FMX.SK02 |
| NI | Competition/Stick Shift (FMX)..... | 68-81 | 1 | FMX.SK01 |
| HARD PARTS | | | | |
| 800A | Pump Assembly (FMX)..... | 68-81 | 1 | FMX.PUM01 |
| SPECIAL ITEMS | | | | |
| Kit | Case Repair, Small/Medium Case (Cracked Centre Web)..... | 55-ON | 1 | FMX.REP01 |
| TOOLS & MANUALS | | | | |