

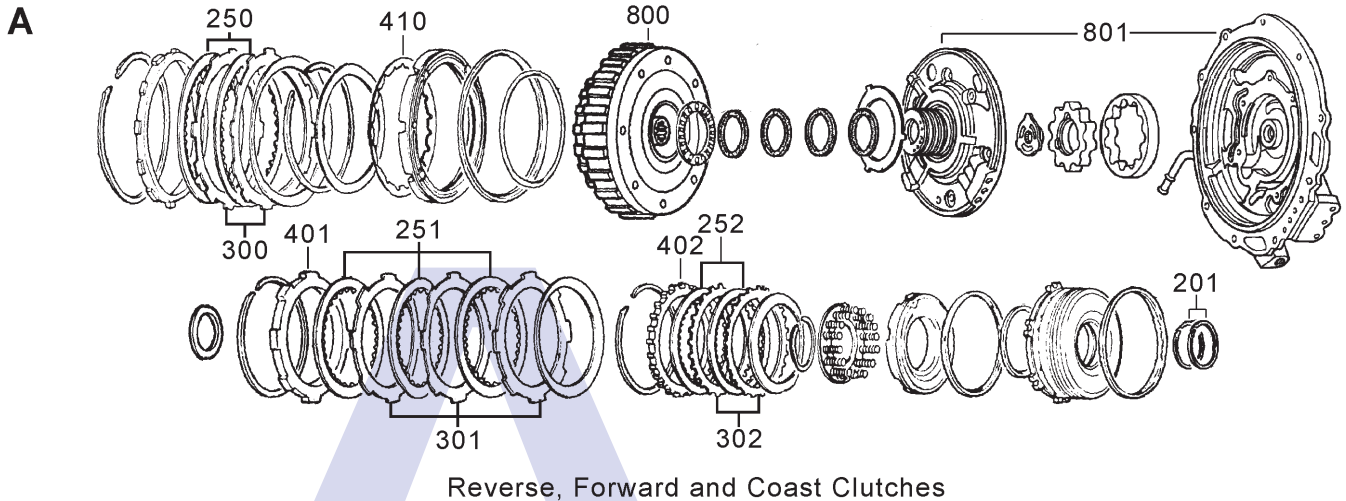
# MAZDA, FORD JATCO F4A-EL, 4EAT 4 SPEED FWD (Electronic Control)



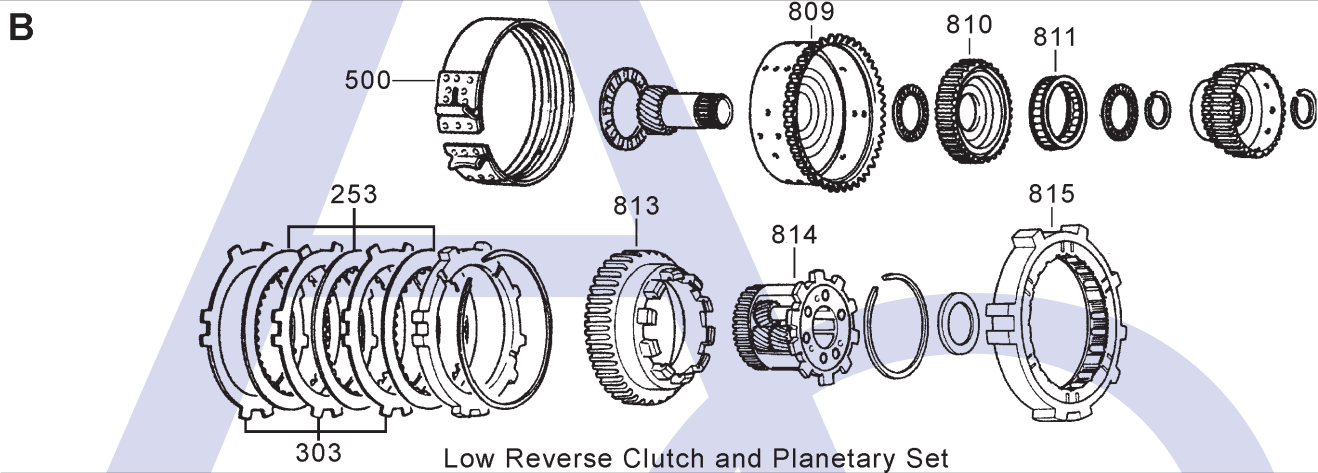
AUTOMATIC CHOICE



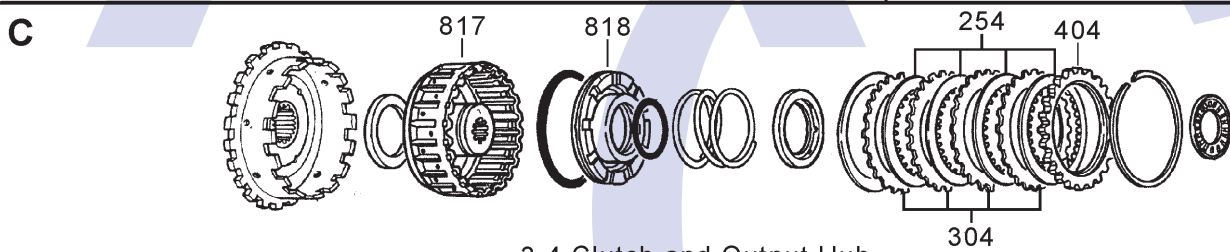
THE AUTOMATIC TRANSMISSION PARTS WAREHOUSE



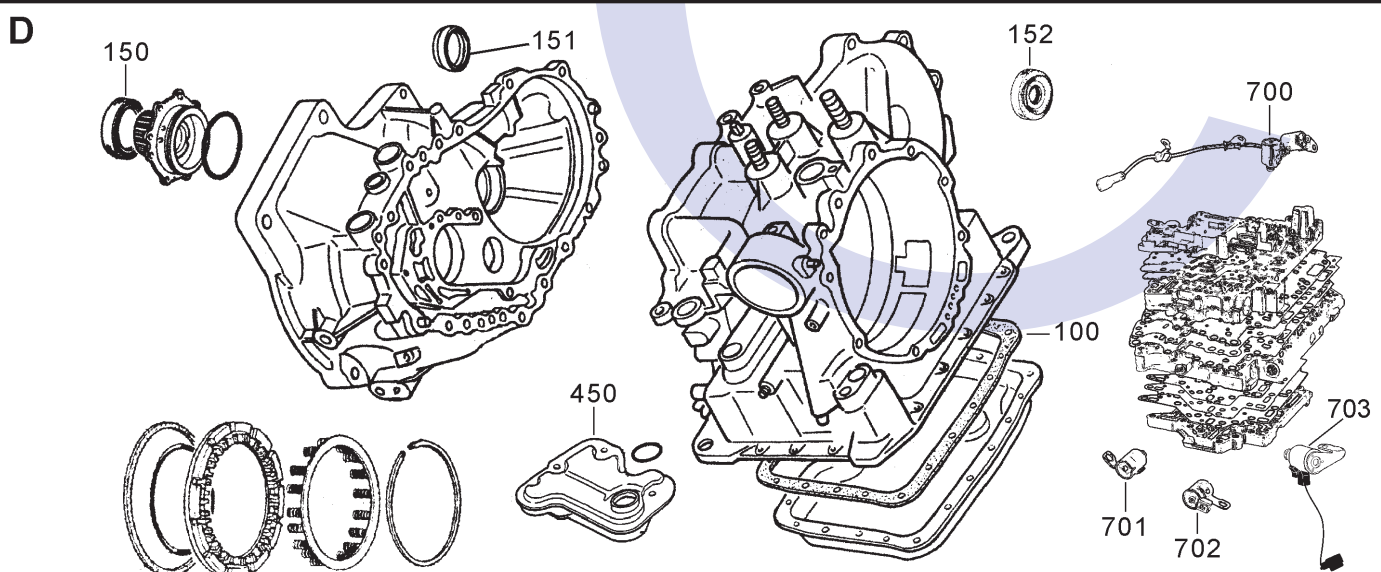
Reverse, Forward and Coast Clutches



Low Reverse Clutch and Planetary Set



3-4 Clutch and Output Hub



Cases, Oil Pan, Filter and Valve Body

# MAZDA, FORD JATCO F4A-EL, 4EAT 4 SPEED FWD (Electronic Control)



AUTOMATIC CHOICE



THE AUTOMATIC TRANSMISSION PARTS WAREHOUSE

ILL NO.	DESCRIPTION	YEARS	QTY	PART NO
<b>KITS</b>				
Kit	Master Overhaul .....	90-ON	1	<b>F4A.MOHK01</b>
Kit	Overhaul Kit (Transtec) (F4A-EL, 4AET) .....	90-ON	1	<b>F4A.OHK01</b>
Kit	Overhaul Kit (Precision) (F4A-EL, 4AET) .....	90-96	1	<b>F4A.OHK51</b>
Kit	Overhaul Kit (Precision) (F4A-EL, 4AET) .....	97-ON	1	<b>F4A.OHK52</b>
<b>Note:</b> The above kits do not contain drive shaft seals for the Kia Rio, if rebuilding one of these units you will need to select and add the correct seals from the "Metal Clad Seal" Section below.				
Kit	Valve Body Gasket.....	90-97	1	<b>F4A.GK01</b>
Kit	Valve Body Gasket.....	97-ON	1	<b>F4A.GK02</b>
<b>GASKETS</b>				
100D	Pan Gasket .....	90-ON	1	<b>F4A.GAS01</b>
NI	Pump Gasket .....	90-ON	1	<b>F4A.GAS02</b>
<b>RUBBER COMPONENTS</b>				
<b>METAL CLAD SEALS</b>				
150D	Pump Seal .....	90-ON	1	<b>G4A.MCS01</b>
151D	Axle Seal R/Hand (Except Kia Rio)	90-ON	1	<b>F3A.MCS02</b>
151D	Axle Seal R/Hand (Kia Rio 1500cc) .....	00-03	1	<b>F4A.MCS03</b>
151D	Axle Seal R/Hand (Kia Rio 1300cc & 1500cc) .....	03-05	1	<b>F4A.MCS02</b>
152D	Axle Seal L/Hand (Except Kia Rio)	90-ON	1	<b>F3A.MCS02</b>
152D	Axle Seal L/Hand (Kia Rio 1500cc) .....	00-03	1	<b>F4A.MCS03</b>
152D	Axle Seal L/Hand (Kia Rio 1300cc & 1500cc) .....	03-05	1	<b>F4A.MCS02</b>
<b>MOULDED PISTONS</b>				
<b>SEALING RINGS</b>				
Kit	Sealing Ring Kit .....	90-ON	1	<b>F4A.SRK01</b>
201A	Forward Clutch Inner Sealing Ring .....	90-ON	1	<b>F4A.SSR01</b>
<b>FRICTION PLATES</b>				
Kit	Friction Plate (Aftermarket) .....	90-ON	1	<b>F4A.FRK01</b>
Kit	Friction Plate (Alto) (F4A-EL, 4EAT).....	90-99	1	<b>F4A.FRK51</b>
250A	Reverse Input Clutch (175mm OD x 1.60mm x 45T) ..	90-ON	2	<b>F4A.FRP03</b>
251A	Forward Clutch (127mm OD x 1.60mm x 42T) ..	90-ON	3	<b>F4A.FRP01</b>
252A	Coast Clutch (114mm OD x 1.60mm x 16T)...	90-ON	2	<b>F4A.FRP02</b>
253B	Low Clutch (180mm OD x 1.60mm x 48T) ..	90-ON	4	<b>F4A.FRP06</b>

ILL NO.	DESCRIPTION	YEARS	QTY	PART NO
<b>FRICTION PLATES Cont...</b>				
254C	3-4 Clutch O/D (109mm OD x 1.60mm x 22T) ..	90-ON	4	<b>F4A.FRP04</b>
<b>STEEL PLATES</b>				
Kit	Steel Plate.....	90-ON	1	<b>F4A.STK01</b>
Kit	Steel Plate (Alto) (F4A-EL, 4EAT).....	90-91	1	<b>F4A.STK52</b>
Kit	Steel Plate (Alto) (F4A-EL, 4EAT).....	91-94	1	<b>F4A.STK51</b>
<b>STEEL PLATES Cont...</b>				
Kit	Steel Plate (Alto) (F4A-EL, 4EAT).....	95-99	1	<b>F4A.STK53</b>
300A	Reverse Input Clutch (161mm ID x 1.60mm x 32T) ....	90-ON	2	<b>F4A.STP03</b>
301A	Forward Clutch (110mm ID x 1.60mm x 32T) ....	90-ON	3	<b>F4A.STP01</b>
302A	Coast Clutch (99mm ID x 1.60mm x 26T) .....	90-ON	2	<b>F4A.STP02</b>
303B	Low Clutch (167mm ID x 1.60mm x 16T) ....	90-ON	4	<b>F4A.STP08</b>
304C	3-4 Clutch (93mm ID x 1.60mm x 38T) .....	90-ON	4	<b>F4A.STP04</b>
304C	3-4 Clutch (93mm ID x 1.80mm x 38T) .....	90-ON	4	<b>F4A.STP05</b>
304C	3-4 Clutch (93mm ID x 2.30mm x 38T) .....	90-ON	4	<b>F4A.STP06</b>
<b>PRESSURE PLATES</b>				
401A	Pressure Plate Forward Clutch.	90-ON	1	<b>F4A.PP01</b>
402A	Pressure Plate Coast Clutch.....	90-ON	1	<b>F4A.PP02</b>
404C	Pressure Plate 3-4 Clutch (3.3mm Thick) .....	90-ON	1	<b>F4A.STP07</b>
<b>SPRINGS &amp; CIRCLIPS</b>				
410A	Reverse Clutch Dia Spring.....	90-ON	1	<b>F4A.DIA01</b>
<b>FILTERS</b>				
450D	Filter Mazda .....	90-ON	1	<b>F4A.FIL01</b>
450D	Filter Ford 4EAT With Tube.....	93-ON	1	<b>F4A.FIL02</b>
<b>BANDS</b>				
500B	Band.....	90-ON	1	<b>F4A.BAN01</b>
<b>BUSHINGS</b>				
Kit	Bush Kit.....	90-ON	1	<b>F4A.BK01</b>

# MAZDA, FORD JATCO F4A-EL, 4EAT 4 SPEED FWD (Electronic Control)



AUTOMATIC CHOICE



THE AUTOMATIC TRANSMISSION PARTS WAREHOUSE

ILL NO.	DESCRIPTION	YEARS	QTY	PART NO
<b>THRUST WASHERS &amp; BEARINGS</b>				
NI	Idler Gear Bearing.....	90-ON	2	F4A.BE01
<b>ELECTRICAL COMPONENTS</b>				
Kit	Shift & L/Up Solenoid Set (4)....	90-96	1	F4A.SOL01
700D	2-3 and 3-4 Soleniods (2 Solenoids Wired Together) ...	90-ON	1	F4A.SOL04
701D	Lock Up Solenoid.....	90-ON	1	F4A.SOL02
702D	1-2 Shift Solenoid.....	90-ON	1	F4A.SOL03
703D	EPC Solenoid (Except Kia).....	97-ON	1	F4A.SOL05
703D	EPC Solenoid (Kia Only).....	99-ON	1	F4A.SOL06
NI	Speed Sensor (Elec/Mech).....	90-ON	1	F4A.ELE01
<b>VALVE BODY PARTS</b>				
Kit	Valve Body Calibration Kit.....	90-ON	1	F4A.SK01
Kit	Pump Modification Valve Kit (TransGo®) .....	90-ON	1	F4A.VA01
Kit	Pump Flow Modification Kit (Sonnax® <a href="#">Click here for Info</a> ) ...	90-ON	1	F4A.PUM02
Kit	Oversize Pressure Regulator Valve (Requires Tool F4A.VA03) (Sonnax® <a href="#">Click here for Info</a> ) ...	90-ON	1	F4A.VA02
Kit	Tool Kit for F4A.VA02.....	90-ON	1	F4A.VA03
Kit	Oversize Pressure Modifier Valve (Requires Tool F4A.VA05) (Sonnax® <a href="#">Click here for Info</a> ) ...	97-ON	1	F4A.VA04
Kit	Tool Kit for F4A.VA04.....	97-ON	1	F4A.VA05
<b>HARD PARTS</b>				
800A	Rev & Forward Clutch Drum.....	90-ON	1	F4A.DRU04
801A	Pump Assy (W/O Mounting Bolts).....	91-ON	1	F4A.PUM01
809B	Sungear & Band Drum Assy.....	90-ON	1	F4A.DRU02
810B	Inner Race & Hub (No Sprag) Forward One Way Clutch.....	90-ON	1	F4A.OWC06
811B	Input Sprag (24 Element).....	90-ON	1	F4A.OWC04
813B	Inner Race Low OWC (18 Rollers) .....	90-ON	1	F4A.OWC03
814B	Planetary Assembly .....	90-ON	1	F4A.PL01
815B	OWC Low Reverse Outer (18 Rollers) .....	90-ON	1	F4A.OWC05
817C	3-4 Clutch Drum.....	90-ON	1	F4A.DRU01
818C	3-4 Clutch Piston.....	90-ON	1	F4A.PIS01
NI	Turbine Shaft .....	90-ON	1	F4A.SH01
<b>SPECIAL ITEMS</b>				
<b>TOOLS &amp; MANUALS</b>				
NI	ATSG Repair Manual .....	90-ON	AR	F4A.MAN01
<a href="#">Click here to view special tools for this transmission</a>				

ILL NO.	DESCRIPTION	YEARS	QTY	PART NO
---------	-------------	-------	-----	---------