

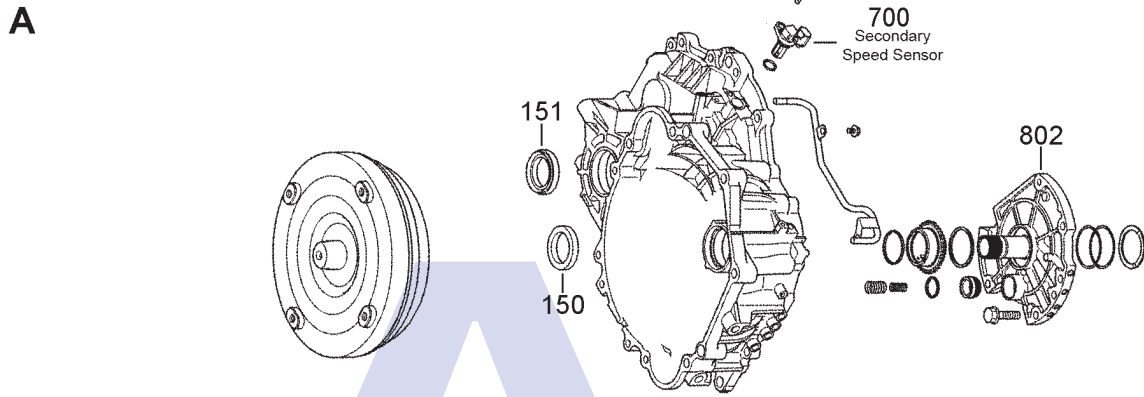
Jatco F1C1 (Mitsubishi Colt, Lancer, Cedia) FWD CVT (Electronic Control with Torque Converter)



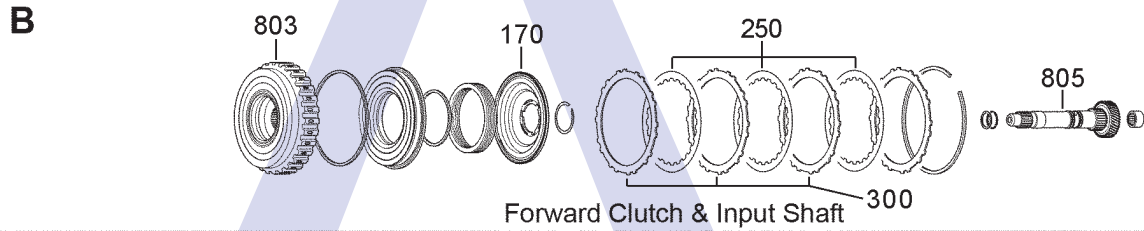
AUTOMATIC CHOICE



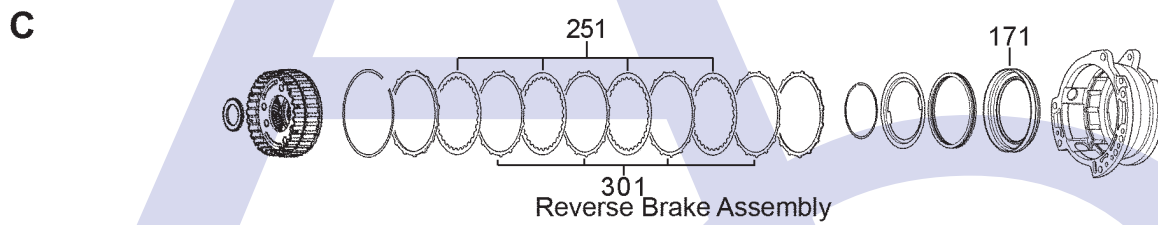
THE AUTOMATIC TRANSMISSION PARTS WAREHOUSE



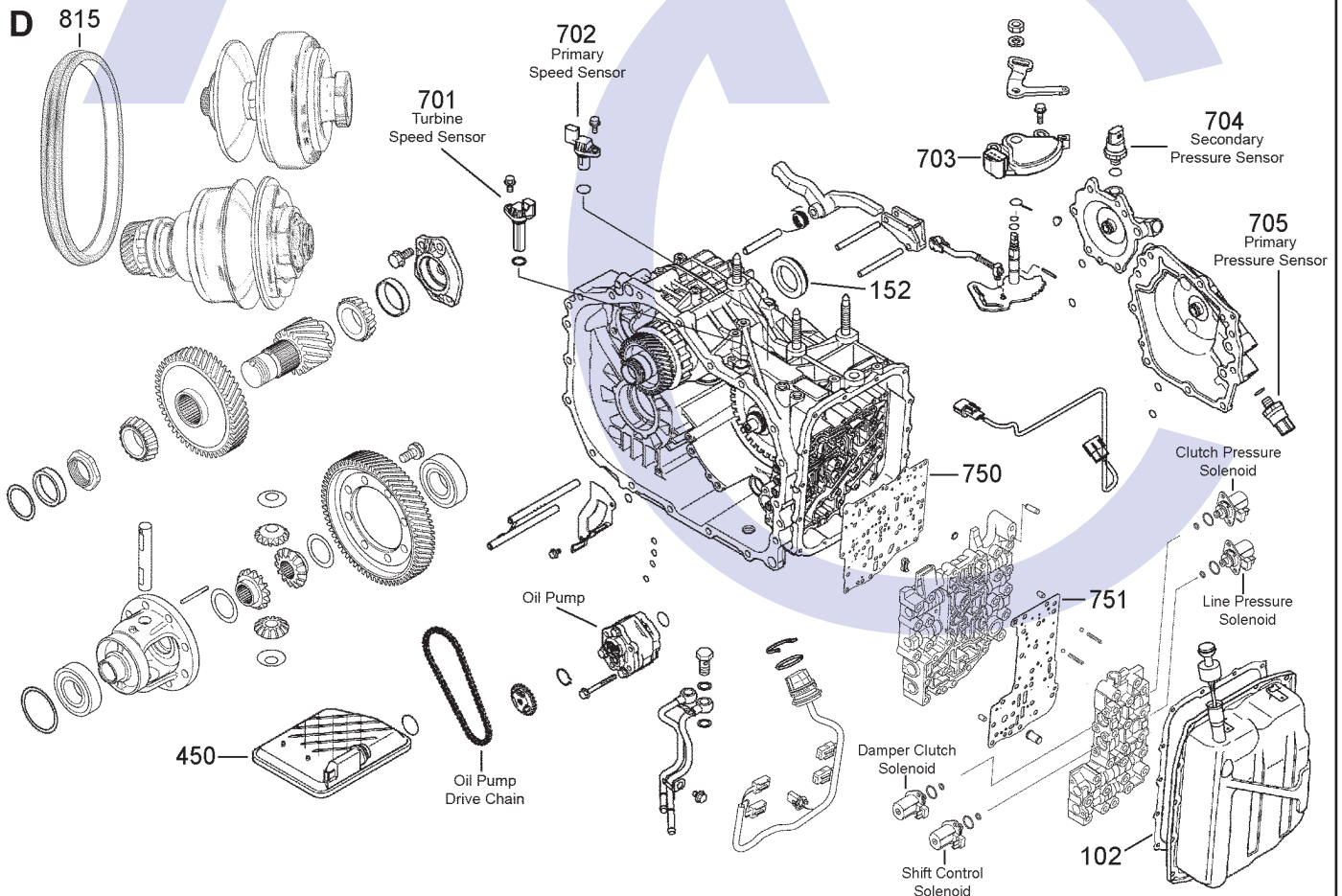
Bell Housing & Converter Support



Forward Clutch & Input Shaft



Reverse Brake Assembly



Jatco F1C1 (Mitsubishi Colt, Lancer, Cedia) FWD CVT (Electronic Control with Torque Converter)



AUTOMATIC CHOICE



THE AUTOMATIC TRANSMISSION PARTS WAREHOUSE

ILL NO.	DESCRIPTION	YEARS	QTY	PART NO
KITS				
Kit	Overhaul Kit (Transtec).....	07-ON	1	F1C1.OHK01
Kit	Overhaul Kit (Precision).....	07-ON	1	F1C1.OHK51
GASKETS				
102D	Valve Body Cover (Cork)	07-ON	1	F1C1.GAS01
750D	Valve Body Lower (Internal Bonded Plate).....	07-ON	1	F1C1.VB02
751D	Valve Body Upper (Internal Bonded Plate).....	07-ON	1	F1C1.VB03
RUBBER COMPONENTS				
METAL CLAD SEALS				
150A	Converter to Front Cover	07-ON	1	F1C1.MCS01
151A	Axle L/Hand	07-ON	1	KMF4A.MCS02
152A	Axle R/Hand.....	07-ON	1	KMF4A.MCS02
MOULDED PISTONS				
170B	Forward Clutch.....	07-ON	1	F1C1.PIS01
171C	Reverse Brake	07-ON	1	F1C1.PIS02
SEALING RINGS				
FRICTION PLATES				
250B	Forward Clutch (135.5mm OD x 1.45mm x 30T)	07-ON	3-4	F1C1.FRP01
251C	Reverse Brake (136mm OD x 1.70mm x 30T) ..	07-ON	2-4	F1C1.FRP02
STEEL PLATES				
300B	Forward Clutch (126mm ID x 0.09mm x 15T)	07-ON	3-4	KMF4A.STP05
301C	Reverse Brake (118mm ID x 2.50mm x 20T)	07-ON	2-4	F1C1.STP01
PRESSURE PLATES				
SPRINGS & CIRCLIPS				
FILTERS				
450D	Pick Up Filter (AM).....	07-ON	1	F1C1.FIL01
450D	Pick Up Filter (OEM).....	07-ON	1	F1C1.FIL11
NI	Internal Valve Body Filter	07-ON	AR	F1C1.FIL02
NI	Internal Valve Body Filter	07-ON	AR	F1C1.FIL03
NI	Internal Valve Body Filter	07-ON	AR	F1C1.FIL04

ILL NO.	DESCRIPTION	YEARS	QTY	PART NO
BUSHINGS				
THRUST WASHERS & BEARINGS				
NI	Bearing (45mm x 85mm x 19mm).....	07-ON	AR	F1C1.BE01
NI	Bearing (30mm x 55mm x 13mm).....	07-ON	AR	F1C1.BE02
NI	Bearing (45mm x 90mm x 20mm).....	07-ON	AR	F1C1.BE03
ELECTRICAL COMPONENTS				
700A	Secondary Speed Sensor.....	07-ON	1	F1C1.ELE03
701D	Turbine Speed Sensor	07-ON	1	F1C1.ELE02
702D	Primary Speed Sensor.....	07-ON	1	F1C1.ELE03
703D	Range Switch.....	07-ON	1	F1C1.ELE01
704D	Secondary Pressure Sensor.....	07-ON	1	F1C1.ELE04
705D	Primary Pressure Sensor.....	07-ON	1	F1C1.ELE04
VALVE BODY PARTS				
750D	Valve Body Lower Separator Plate (Bonded)	07-ON	1	F1C1.VB02
751D	Valve Body Upper Separator Plate (Bonded)	07-ON	1	F1C1.VB03
NI	Reducing Valve	07-ON	1	F1C1.VA01
HARD PARTS				
802A	Front Cover/Stator Support.....	07-ON	1	F1C1.COV01
803B	Drum, Forward Clutch (Mitsubishi Cedia)	07-ON	1	F1C1.DRU01
805B	Input Shaft.....	07-ON	1	F1C1.SH01
815D	Drive Belt	07-ON	1	CTX.CH01
SPECIAL ITEMS				
TOOLS & MANUALS				
Click here to view special tools for this transmission				