

E40D, 4R100

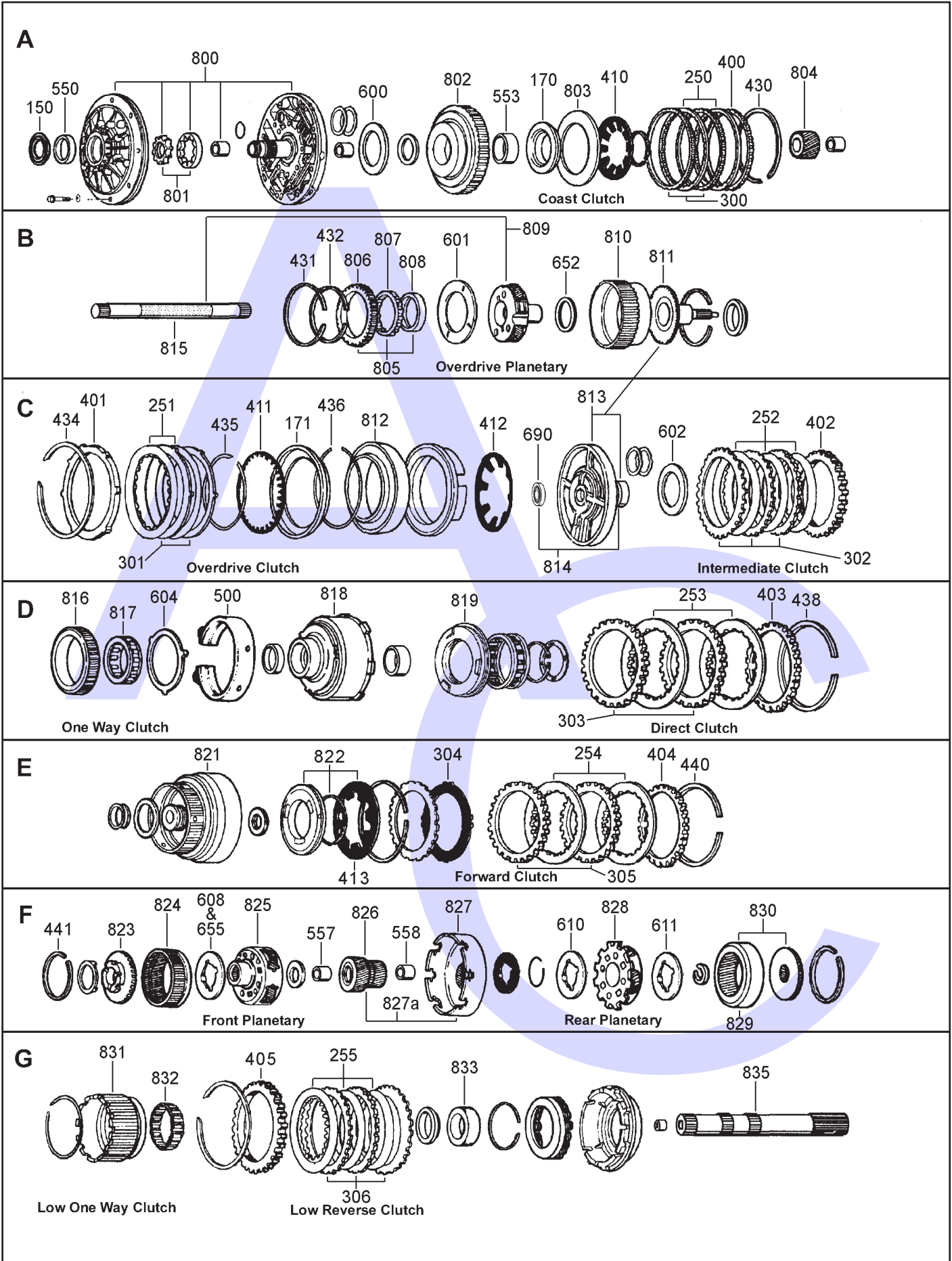
4 SPEED RWD (Electronic Control)



AUTOMATIC CHOICE



THE AUTOMATIC TRANSMISSION PARTS WAREHOUSE



E40D, 4R100

4 SPEED RWD (Electronic Control)

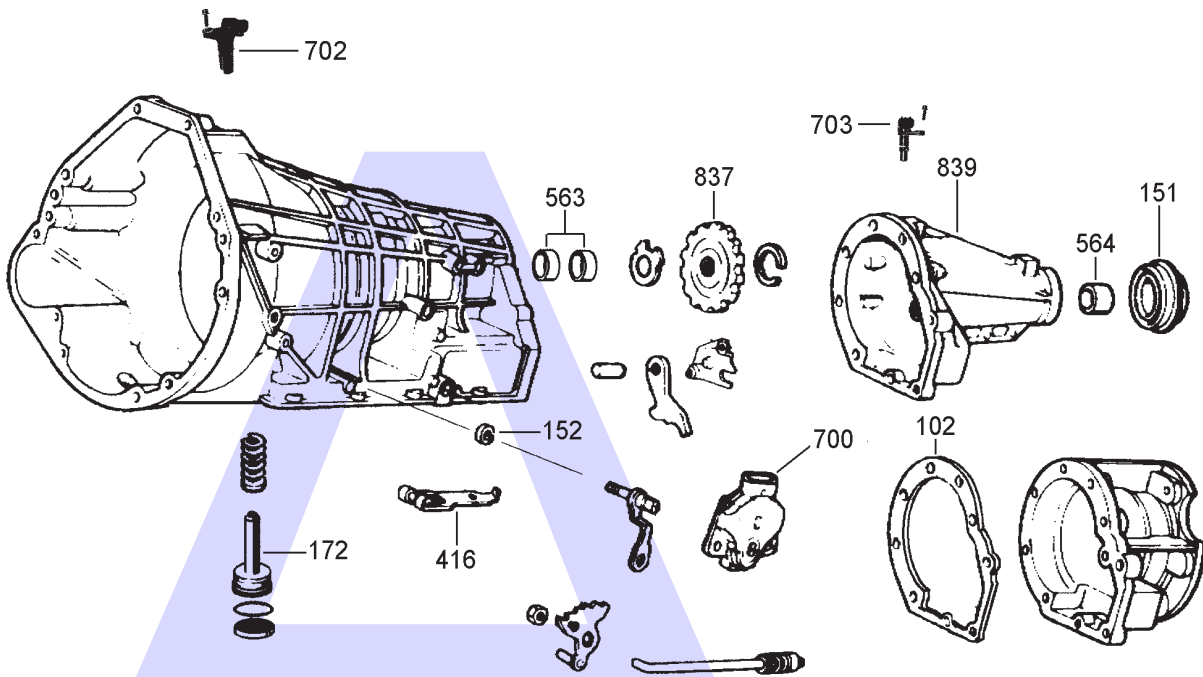


AUTOMATIC CHOICE

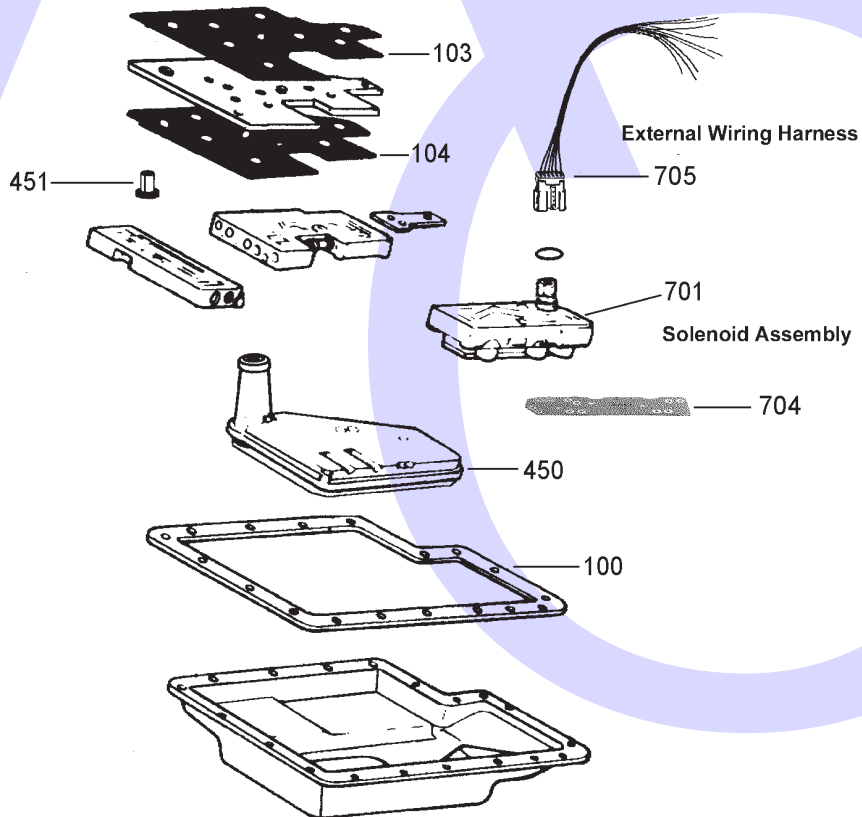


THE AUTOMATIC TRANSMISSION PARTS WAREHOUSE

H



J



E40D, 4R100

4 SPEED RWD (Electronic Control)



AUTOMATIC CHOICE



THE AUTOMATIC TRANSMISSION PARTS WAREHOUSE

ILL NO.	DESCRIPTION	YEARS	QTY	PART NO
KITS				
Kit	Overhaul (E40D) (Transtec).....	89-95	1	E40D.OHK01
Kit	Overhaul (E40D) (Precision).....	89-95	1	E40D.OHK51
Kit	Overhaul (E40D/4R100) (Transtec).....	96-ON	1	E40D.OHK02
Kit	Overhaul (E40D/4R100) (Precision).....	96-98	1	E40D.OHK52
Kit	Overhaul (4R100) (Precision, Without Pistons).....	99-04	1	E40D.OHK53
NI	Sonnax 'Sure Cure Kit'.....	89-ON	1	E40D.SCK01
GASKETS				
100J	Pan Gasket.....	89-95	1	E40D.GAS01
100J	Pan Gasket (Bonded Rubber)...	96-ON	1	E40D.GAS02
NI	Pump Gasket.....	89-ON	1	E40D.GAS03
NI	Centre Support.....	89-ON	1	E40D.GAS11
102H	Extension Housing.....	89-ON	1	E40D.GAS07
103J	Valve Body Upper (No Stripe).....	89-Only	1	E40D.GAS04
103J	Valve Body Upper (Yellow Stripe).....	90-95	1	E40D.GAS09
103J	Valve Body Upper (White Stripe).....	98-ON	1	E40D.GAS06
104J	Valve Body Lower (Yellow Stripe).....	90-95	1	E40D.GAS08
104J	Valve Body Lower (Lt Blue Stripe).....	98-ON	1	E40D.GAS05
RUBBER COMPONENTS				
NI	Front Pump Outer Lathe Cut....	89-ON	1	E40D.SQR01
METAL CLAD SEALS				
150A	Converter to Pump.....	89-ON	1	E40D.MCS01
151H	Extension Housing (With Boot) .	89-ON	1	C6.MCS02
151H	Extension Housing (4R100) (81.00mm O. D.)	98-ON	1	E40D.MCS03
152H	Selector Shaft	98-ON	1	C3.MCS03
MOULDED PISTONS				
170A	Coast Clutch	98-ON	1	E40D.PIS02
171C	Overdrive Clutch	96-ON	1	E40D.PIS03
172H	Piston, Intermediate Servo (Molded) (2nd Design)	89-ON	1	E40D.SER01
SEALING RINGS				
CLUTCH KITS				
Kit	Alto PowerPak®, Forward Clutch (Hi. Performance) (Frictions, Steel & P. Plates)	89-ON	1	C6.CK01
Kit	Alto PowerPak®, Direct Clutch Kit (Frictions, Steels, P. Plate & Circlip)	89-ON	1	C6.CK04
Kit	Alto PowerPak®, Intermediate (Frictions, Steel & P. Plate)	89-ON	1	E40D.CK03

ILL NO.	DESCRIPTION	YEARS	QTY	PART NO
FRICTION PLATES				
Kit	Alto PowerPak®, Overdrive Brake (Frictions, Steel & Top P. Plate)	89-ON	1	E40D.CK02
Kit	Friction Plate E40D (Aftermarket)	89-95	1	E40D.FRK01
Kit	Friction Plate E40D (Alto)	89-4/97	1	E40D.FRK51
Kit	Friction Plate E40D (Alto)	5/97-98	1	E40D.FRK52
Kit	Friction Plate E40D (Aftermarket)	96-E97	1	E40D.FRK02
Kit	Friction Plate (Aftermarket)	97-01	1	E40D.FRK03
Kit	Friction Plate 4R100 (Alto).....	98-00	1	E40D.FRK52
Kit	Friction Plate 4R100 (Alto).....	01-ON	1	4R100.FRK52
250A	Coast Clutch (168mm OD x 2.00mm x 60T) ..	89-ON	2	E40D.FRP01
250A	Coast Clutch (Alto Red Eagle) (168mm OD x 2.00mm x 60T) ..	89-ON	2	E40D.FRP62
251C	Overdrive Brake (220mm OD x 2.00mm x 64T) ..	89-97	2/3	E40D.FRP02
251C	Overdrive Brake (220mm OD x 2.03mm x 32T) ..	98-ON	2/3	E40D.FRP10
252C	Intermediate Brake (198mm OD x 2.00mm x 50T) ..	89-E97	3	E40D.FRP03
252C	Intermediate Brake (198mm OD x 2.03mm x 50T) ..	3/97-00	3	E40D.FRP09
252C	Intermediate Brake (Diode Clutch Only) (198mm OD x 1.95mm x 60T) ..	01-ON	3	E40D.FRP63
253D	Direct/Reverse Clutch Smooth (162.5mm OD x 2.00mm x 64T)	89-95	4	E40D.FRP04
253D	Direct/Reverse Clutch Grooved (162mm OD x 2.00mm x 63T) ..	96-ON	4/5	E40D.FRP05
254E	Forward Clutch Heavy Duty (161.5mm OD x 2.00mm x 90T)	89-ON	5	E40D.FRP07
255G	Low/Reverse Brake Waffle (174mm OD x 2.00mm x 72T) ..	89-E97	6	C6.FRP03
255G	Low/Reverse Brake Grooved (174mm OD x 2.00mm x 24T) ..	3/97-ON	6	E40D.FRP11
255G	Low/Reverse Brake (Alto Red Eagle) (174mm OD x 2.00mm x 24T) ..	3/97-ON	6	E40D.FRP61
STEEL PLATES				
Kit	Clutch Clearance E40D (Steel Module) (Cures Delayed Reverse)	89-ON	1	E40D.CK01
Kit	Steel Plate E40D (Aftermarket)	89-97	1	E40D.STK01
Kit	Steel Plate E40D (Alto)	89-4/97	1	E40D.STK51
Kit	Steel Plate 4R100 (Aftermarket)	98-ON	1	E40D.STK02
Kit	Steel Plate 4R100 (Alto)	98-ON	1	4R100.STK51
300A	Coast Clutch (148.5mm ID x 2.03mm x 60T) .	89-ON	2	E40D.STP01
300A	Coast Clutch (148.5mm ID x 2.03mm x 32T) .	98-ON	2	E40D.STP09
300A	Coast Clutch (Kolene) (148.5mm ID x 2.03mm x 32T) .	98-ON	2	E40D.STP10
301C	Overdrive Brake (189.7mm ID x 2.00mm x 6T) ...	89-ON	2	E40D.STP02
302C	Intermediate Brake (157.5mm ID x 2.03mm x 30T) .	89-ON	2	E40D.STP03
302C	Intermediate Brake (157.5mm ID x 3.18mm x 26T) .	89-ON	1	E40D.STP04
303D	Direct/Reverse Clutch (130mm ID x 1.50mm x 26T)	89-ON	1	E40D.STP11
303D	Direct/Reverse Clutch (130mm ID x 2.00mm x 26T)	89-ON	4	E40D.STP05
303D	Direct/Reverse Clutch Oversize (130mm ID x 2.10mm x 26T)	89-ON	AR	E40D.STP06
304E	Cushion Plate, Forward Clutch .	89-ON	1	C6.STP02

E40D, 4R100

4 SPEED RWD (Electronic Control)



AUTOMATIC CHOICE



THE AUTOMATIC TRANSMISSION PARTS WAREHOUSE

ILL NO.	DESCRIPTION	YEARS	QTY	PART NO
STEEL PLATES Cont...				
305E	Forward Clutch (130mm ID x 1.50mm x 26T)	89-ON	1	E40D.STP11
305E	Forward Clutch (130mm ID x 2.00mm x 26T)	89-ON	4	E40D.STP05
305E	Forward Clutch Oversize (130mm ID x 2.10mm x 26T)	89-ON	AR	E40D.STP06
306G	Reverse/Low Brake (144.8mm ID x 1.73mm x 18T) .	89-ON	6	E40D.STP07
306G	Reverse/Low Brake (144.8mm ID x 2.00mm x 18T) .	89-ON	AR	E40D.STP08
PRESSURE PLATES				
400A	Coast Clutch (60T).....	89-ON	1	E40D.PP01
400A	Coast Clutch (32T).....	98-ON	1	E40D.PP03
401C	Overdrive Clutch (9.65mm Thick)	93-ON	1	E40D.PP02
402C	Intermediate Clutch (8.28mm Thick)	89-ON	1	E40D.PP04
403D	Direct/Reverse Clutch (8.70mm Thick)	89-ON	1	E40D.PP06
404E	Forward Clutch (8.70mm Thick)	89-ON	1	E40D.PP06
405G	Low/Reverse Clutch (13.97mm Thick)	89-ON	1	E40D.PP05
SPRINGS & CIRCLIPS				
Kit	Circlip Kit.....	89-ON	1	E40D.CIR10
410A	Coast Clutch Diaphragm.....	89-ON	1	E40D.DIA02
411C	Overdrive Brake Diaphragm	89-ON	1	E40D.DIA01
412C	Intermediate Brake Diaphragm .	89-ON	1	E40D.DIA03
413E	Forward Clutch Diaphragm.....	89-ON	1	C6.DIA02
416H	Spring, Selector Detent.....	89-ON	1	E40D.SPR01
430A	Circlip - Coast Pressure Plate (1.40mm).....	89-ON	AR	E40D.CIR04
431B	Circlip - Sprag Outer Race.....	89-ON	1	E40D.CIR06
432B	Circlip - Sprag Element.....	89-ON	1	E40D.CIR07
434C	Circlip - Overdrive Press Plate (1.52mm).....	89-ON	AR	E40D.CIR02
				E40D.CIR03
435C	Circlip - OD Clutch Diaphragm (Second Design Wide)	89-ON	1	E40D.CIR05
435C	Circlip - Sonnax Spiral Sure Lock (Reduces Ring Blowout)	89-ON	AR	E40D.CIR08
436C	Circlip - Intermediate Housing (1.52mm).....	89-ON	AR	E40D.CIR02
				E40D.CIR03
438D	Circlip Retaining, Direct Clutch (1.93mm).....	89-ON	1	C6.CIR01
440E	Circlip Retaining, Fwd Clutch (1.93mm).....	89-ON	1	C6.CIR01
441F	Circlip - Fwd Ring Gear to Hub .	89-ON	1	E40D.CIR01
NI	Spring, Main Regulator (Sonnax® Click here for Info) ...	89-ON	1	E40D.SPR02
NI	Spring, TCC Regulator Valve (E40D).....	89-ON	1	E40D.SPR03
FILTERS				
450J	Pan Filter (2 WD)	89-ON	1	E40D.FIL01
450J	Pan Filter (4 WD Deep Pan)	89-ON	1	E40D.FIL02
451J	Filter - Shift Solenoid.....	89-ON	1	E40D.FIL03
NI	Filter -Int Accumulator W/Spring	89-ON	1	E40D.FIL04
NI	TCC Regulator Valve Spring (Pack of 3).....	89-ON	1	E40D.VA03

ILL NO.	DESCRIPTION	YEARS	QTY	PART NO
BANDS				
500D	Coast - Manual 2nd.....	89-ON	1	E40D.BAN01
BUSHINGS				
Kit	Bush Kit (E40D)	89-ON	1	E40D.BK01
Kit	Bush Kit (4R100).....	98-ON	1	E40D.BK02
550A	Front Pump Body Bronze (19.30mm Wide)	89-95	1	C6.BUS01
550A	Front Pump Body Bronze (17.83mm Wide)	96-ON	1	E40D.BUS01
553A	Coast Clutch (4R100) (Pressed Steel Drum)	98-ON	1	E40D.BUS13
557F	Forward Sun Gear (Front).....	89-ON	1	C6.BUS03
558F	Forward Sun Gear (Rear)	89-ON	1	C6.BUS03
563H	Rear Case One Piece (One Bushing Replaces Both) ..	89-ON	1	E40D.BUS09
563H	Rear Case One Piece Sonnax Late Design 3 grooves to Front 1 to Back (4 Per Pack).....	95-ON	1	E40D.BUS10
563H	Rear Case One Piece Sonnax Oversize Early Design 3 grooves to Front (4 Per Pack)	89-94	1	E40D.BUS11
563H	Rear Case One Piece Sonnax Oversize Late Design 3 grooves to Front 1 to Back (4 Per Pack)	95-ON	1	E40D.BUS12
NI	One Piece Case Bushing Installer Tool (Sonnax®).....	89-ON		E40D.TOOL05
For tools to ream casing for oversize Bushings see Tools & Manuals Section				
564H	Extension Housing (Duralife)	89-ON	1	E40D.BUS08
THRUST WASHERS & BEARINGS				
Kit	Thrust Washer Kit	89-ON	1	E40D.TWK01
Kit	Needle Bearing Kit (7 Pieces)...	89-ON	1	E40D.TWK02
Kit	Unit End Play Shim Kit (Sonnax®).....	89-ON	1	E40D.SHK01
600A	Stator Support to Drum	89-ON	1	E40D.THW10
601B	Overdrive Planetary (2 Inner Tangs 116.84mm O.D.)	89-ON	1	E40D.THW06
601B	Overdrive Planetary (4R100) (Plastic 1 Inner Tang)	98-ON	1	E40D.THW07
602C	Thrust Washer, (Centre Support to Direct Drum).....	89-ON	1	E40D.THW09
604D	Direct Drum to Sprag 3 Tang (142.24mm O.D.)	89-ON	1	E40D.THW03
608F	Forward Hub to Forward Planet (4 Tab) (4 Gear Planet)	89-96	1	E40D.THW01
610F	Rear Planet to Sun Shell (4 Tab) (4 Gear Planet)	89-ON	1	E40D.THW01
611F	Rear Planet to Output Hub (4 Tab) (4 Gear Planet)	89-ON	1	E40D.THW01
611F	Rear Planet to Output Hub (3 Wide Inner Tangs).....	89-ON	1	E40D.THW05
652B	Bearing - Overdrive Planetary to Centre Shaft.....	89-ON	1	E40D.THW02
655F	Bearing, Forward Planet to Hub	97-ON	1	E40D.THW04
658H	Bearing, Park Wheel (4R100) ...	97-ON	1	E40D.THW08
690C	Ball Bearing, Centre Support (Sonnax™).....	89-ON	1	E40D.BE01

E40D, 4R100

4 SPEED RWD (Electronic Control)



AUTOMATIC CHOICE



THE AUTOMATIC TRANSMISSION PARTS WAREHOUSE

ILL NO.	DESCRIPTION	YEARS	QTY	PART NO
ELECTRICAL COMPONENTS				
700H	Manual Lever Position Sensor (MPLS).....	89-96	1	E40D.ELE02
700H	Manual Lever Position Sensor (MPLS) E40D/4R100	97-ON	1	E40D.ELE06
701J	Solenoid Body Assembly (Remanufactured Non PWM)....	89-94	1	E40D.SOL01
	(Remanufactured Non PWM)....	95-ON	1	E40D.SOL03
	(4R100 With PWM).....	98-ON	1	E40D.SOL04
702H	Turbine Speed Sensor (TSS) (4R100 Without PTO)	98-ON	1	E40D.ELE07
702H	Turbine Speed Sensor (4R100 With PTO)	98-ON	1	E40D.ELE08
703H	Output Speed Sensor (4R100).....	98-ON	1	E40D.ELE07
704J	Printed Circuit Board for Solenoid Block (Sonnax™) (E40D & 4R100).....	89-ON	1	E40D.VA16
705J	Repair Kit, External Harness.....	89-94	1	E40D.ELE11
705J	Repair Kit, External Harness.....	95-ON	1	E40D.ELE10
NI	Vehicle Speed Sensor (VSS) (Fitted in Transmission).....	89-90	1	E40D.ELE01
NI	Vehicle Speed Sensor (VSS) (Fitted in Rear Axle).....	91-ON	1	E40D.ELE05
NI	"Interceptor" Adjustable Electronic Modulator.....	95-ON	1	E40D.ELE03
NI	(FIPL) Diesel Throttle Position Sensor.....	89-ON	1	E40D.ELE04
VALVE BODY PARTS				
Kit	E40D/4R100 Shift Kit (TransGo ®)	89-ON	1	E40D.SK01
Kit	E40D/4R100 HD + HP Reprogramming Kit (Tugger)	89-ON	1	E40D.SK02
Kit	Line Pressure Modulator Kit (Sonnax ® 8.41mm Valve).....	89-ON	1	E40D.VA01
Kit	Line Pressure Modulator Kit (Sonnax ® 9.45mm Valve).....	94-ON	1	E40D.VA04
Kit	Line Pressure Modulator Kit (Sonnax ® 10.85mm Valve).....	89-ON	1	E40D.VA06
Kit	2-3, 3-4 Accumulator Control Valve Kit (Sonnax ®).....	89-ON	1	E40D.VA09
NI	Bore Sizing Tool for E40D.VA09	89-ON	1	E40D.VA10
Kit	Accumulator Piston Springs (Sonnax™) (Services all Three)	89-ON	1	E40D.VA17
Kit	Line Pressure Booster Kit (Sonnax® Click Here for Info) ...	89-ON	1	E40D.VA19
NI	Pressure Boost Valve & Sleeve (Sonnax ® With 'O' Rings)	89-ON	1	E40D.VA02
NI	Pressure Boost Valve & Sleeve (Sonnax ® Factory Style).....	89-ON	1	E40D.VA05
NI	TCC Regulator Valve Spring (Pack of 3).....	89-ON	1	E40D.VA03
NI	TCC Control Sleeve Assy 4R100 (Sonnax ® for PWM Version)....	98-ON	1	E40D.VA07
NI	Line To Lube Press Reg Valve (Sonnax®).....	89-ON	1	E40D.VA08
NI	Front Lube/Drainback Valve (Sonnax®).....	89-ON	1	E40D.VA11
NI	Valve Low/Rev Modulator W/Sleeve.....	89-ON	1	E40D.VA18
NI	Spring, Main Regulator (Sonnax® Click Here for Info) ...	89-ON	1	E40D.SPR02
NI	Accumulator Pressure Control Valve, Oversize (Sonnax™) (Needs Tool E40D.VA15)	89-ON	1	E40D.VA14

ILL NO.	DESCRIPTION	YEARS	QTY	PART NO
VALVE BODY PARTS Cont...				
NI	Reamer & Jig Kit for E40D.VA14 (Sonnax™).....	89-ON		E40D.VA15
NI	Spring, TCC Regulator Valve (E40D in Pump)	89-ON	1	E40D.SPR03
Kit	Zip Kit® Correction Package (Sonnax® Click Here for Info)... ..	89-ON	1	E40D.ZIP01
HARD PARTS				
800A	Rebuilt Pump - Cast Coast Drum (9Lobe Inner Gear)	89-97	1	E40D.PUM01
800A	Rebuilt Pump - Cast Coast Drum (Used Cast E9 F1)	89-97	1	E40D.PUM08
801A	Pump Gear Set (Standard Size) (10 Lobe Inner Gear)	89-94	1	E40D.PUM05
801A	Pump Gear Set (Standard Size) (9 Lobe Inner Gear)	89-ON	1	E40D.PUM02
801A	Pump Gear Set (Oversize) (10 Lobe Inner Gear)	89-94	1	E40D.PUM04
801A	Pump Gear Set (Oversize) (9 Lobe Inner Gear)	89-ON	1	E40D.PUM03
802A	Coast Clutch Cast Iron.....	89-97	1	E40D.DRU06
802A	Coast Clutch Stamped Steel (Without PTO Drive Gear).....	98-ON	1	E40D.DRU04
803A	Coast Clutch Piston Apply Ring	98-ON	1	E40D.PIS01
804A	Sun Gear, Overdrive	89-97	1	E40D.SUN01
804A	Sun Gear, Overdrive	98-ON	1	E40D.SUN06
805B	Sprag Assembly, Overdrive (12 Lugs) (Sprag, Cam & Outer Race).....	89-ON	1	E40D.OWC02
806B	Outer Race, Overdrive Sprag (4R100) (Used w/ Stamped Steel Drum)	98-ON	1	E40D.OWC11
807B	Sprag, Overdrive (34 Elements, w/ Metal Cage)... ..	89-94	1	E40D.OWC04
807B	Sprag, Overdrive (12 Roller) (Tan Plastic 103.78mm Dia).....	95-97	1	E40D.OWC05
807B	Sprag, Overdrive (12 Roller) (Black Plastic 83.44mm Dia).....	98-ON	1	E40D.OWC08
808B	Inner Race, Overdrive Sprag....	89-ON	1	E40D.OWC09
809B	Overdrive Planet Kit, w/ Input Shaft (Retros All E40D & 4R100)	89-ON	1	E40D.PL01
810B	Ring Gear, Overdrive Planet.....	89-97	1	E40D.PL02
810B	Ring Gear, Overdrive Planet.....	98-ON	1	E40D.PL13
810B	Ring Gear, Overdrive Planet 4R100 (Circlip Groove 7mm Down).....	98-ON	1	E40D.PL14
811B	Shaft, Overdrive (w/ Pilot) (Bushing In Output Shaft)	89-On	1	E40D.SH01
811B	Shaft, Overdrive (No Pilot) (Cup Plug is In The Output Shaft).....	1994	1	E40D.SH04
812C	Cylinder - Intermediate & OD Clutch (Uses Bonded Piston).....	95-ON	1	E40D.DRU05
813BC	Support Kit, w/ Plate, Hub & Shaft (w/ Bearing Inside).....	89-ON	1	E40D.SUP01
813BC	Support Kit, w/ Plate, Hub & Shaft (w/ Bush Inside Heavy Duty Converts Bearing to Bush Type)	89-ON	1	E40D.SUP02
814C	Centre Support Hub, With Bearing (Sonnax™)	89-ON	1	E40D.SUP04
815B	Input Shaft, (343.00mm Long) ..	89-ON	1	E40D.SH02
815B	Input Shaft, (355.60mm Long) ..	89-ON	1	E40D.SH03
816D	Outer Race, Intermediate Sprag	89-ON	1	E40D.OWC10
817D	Sprag, Intermediate One-Way (34 Elements).....	89-ON	1	E40D.OWC03
817D	Sprag, Intermediate One-Way (45 Elements).....	89-ON	1	E40D.OWC14
818D	Direct (4 Clutch) (w/o Sprag) (2 Feed Holes)	89-ON	1	E40D.DRU08
818D	Direct (5 Clutch) (w/o Sprag) (2 Feed Holes)	89-97	1	E40D.DRU09

