

# FORD CD4E

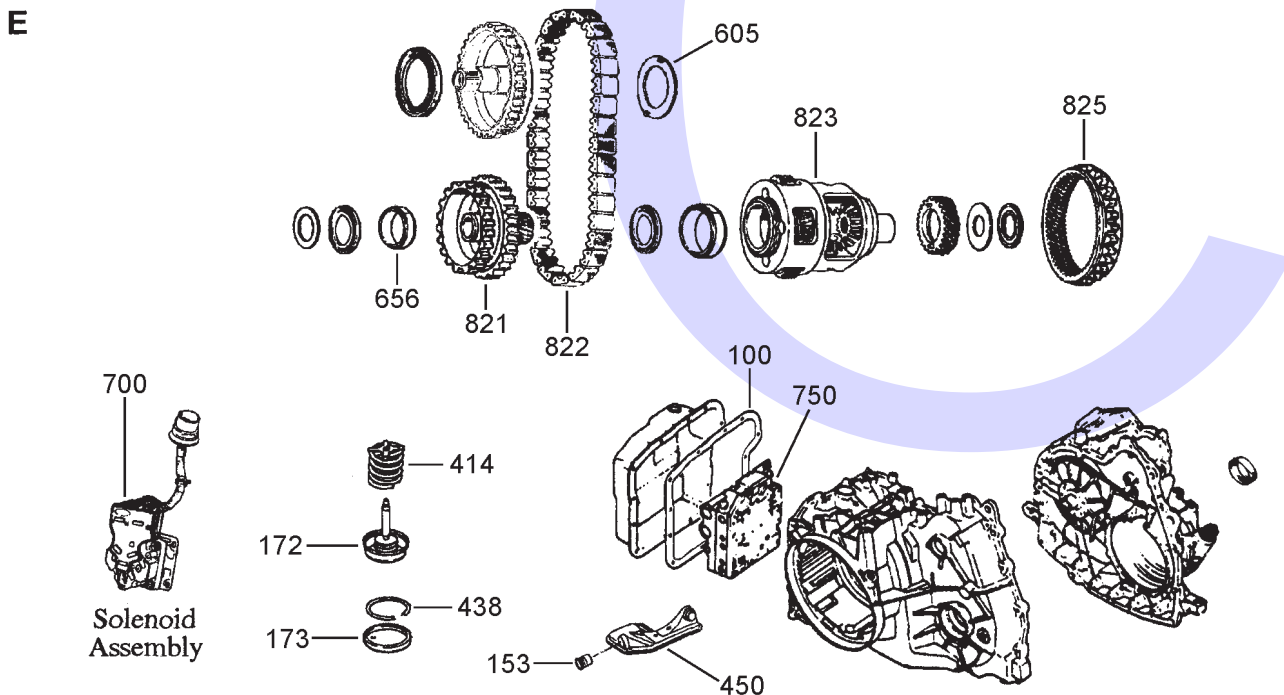
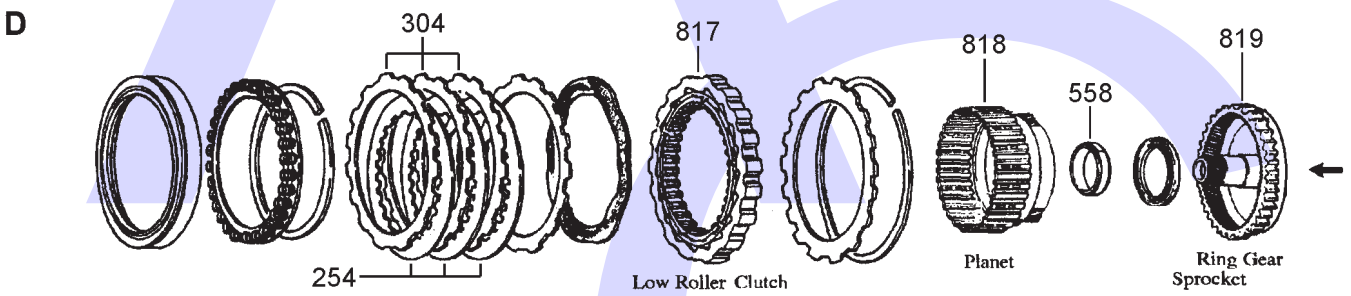
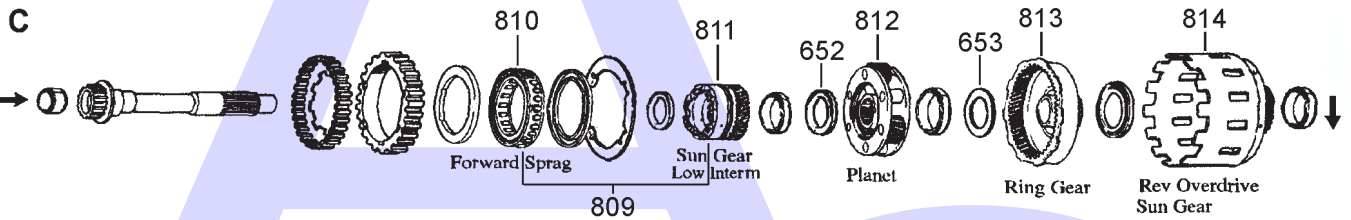
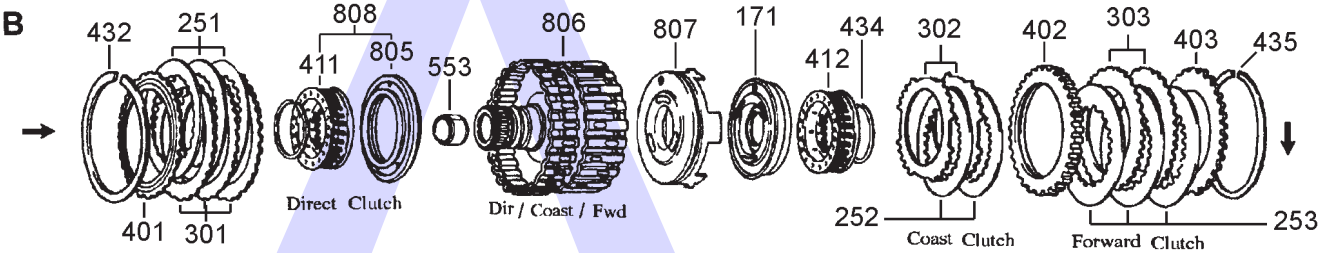
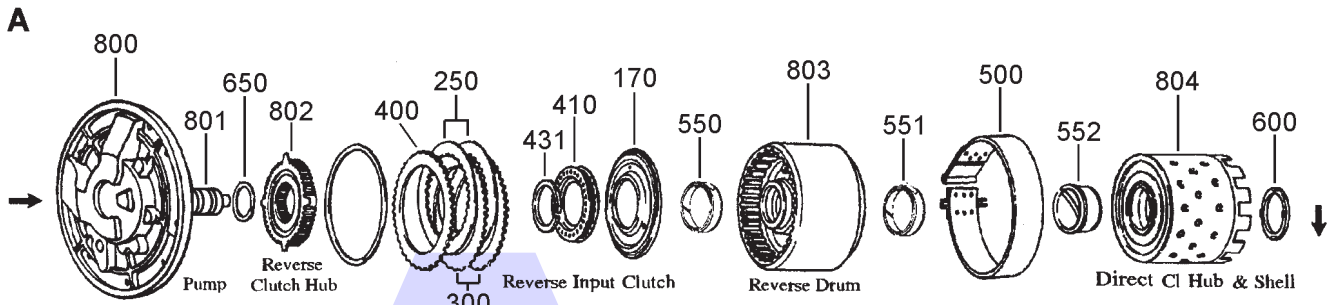
## 4 SPEED FWD WITH LOCK UP (Full Electronic Control)



AUTOMATIC CHOICE



THE AUTOMATIC TRANSMISSION PARTS WAREHOUSE



# FORD CD4E

## 4 SPEED FWD WITH LOCK UP (Full Electronic Control)



AUTOMATIC CHOICE



THE AUTOMATIC TRANSMISSION PARTS WAREHOUSE

ILL NO.	DESCRIPTION	YEARS	QTY	PART NO
<b>KITS</b>				
Kit	Overhaul Kit With Moulded Pistons (Transtec).....	94-03	1	CD4E.OHK01
Kit	Overhaul Kit With Moulded Pistons (Precision).....	94-03	1	CD4E.OHK51
Kit	Overhaul Kit With Moulded Pistons (Transtec).....	03-ON	1	CD4E.OHK03
Kit	Overhaul Kit Without Moulded Pistons (Transtec).....	93-ON	1	CD4E.OHK04
Kit	Valve Body Gasket.....	94-ON	1	CD4E.GK01
<b>GASKETS</b>				
100E	Side Cover/Valve Body Cover Gasket (Cork).....	94-02	1	CD4E.GAS01
100E	Side Cover/Valve Body Cover Gasket (Farpak).....	94-02	1	CD4E.GAS10
100E	Side Cover/Valve Body Cover Gasket (Moulded Rubber).....	03-ON	1	CD4E.GAS12
NI	Case to Bell Housing Gasket.....	94-ON	1	CD4E.GAS02
NI	Valve Body Gasket Outer.....	94-ON	2	CD4E.GAS03
NI	Valve Body Gasket Inner.....	94-ON	2	CD4E.GAS04
NI	Pump Gasket.....	94-1/97	1	CD4E.GAS05
NI	Pump Gasket.....	1/97-ON	1	CD4E.GAS07
NI	Solenoid Block Gasket.....	94-ON	1	CD4E.GAS06
NI	Thermo Element Gasket.....	94-ON	1	CD4E.GAS08
NI	Pressure Tap Plate Cover.....	94-ON	1	CD4E.GAS09
<b>SEALS &amp; RUBBER COMPONENTS</b>				
NI	Direct Clutch Outer Lip Seal.....	94-ON	1	CD4E.LIP01
NI	Direct Clutch Inner Lip Seal.....	94-ON	1	CD4E.LIP02
NI	Forward Clutch Outer Lip Seal.....	94-ON	1	CD4E.LIP03
NI	Forward Clutch Inner Lip Seal.....	94-ON	1	CD4E.LIP04
NI	Pump Outer Seal.....	94-ON	1	CD4E.OR01
NI	'O' Ring 2/4 Acc Valve.....	94-ON	1	CD4E.OR02
NI	Dipstic Tube Seal.....	94-ON	1	CD4E.RUB03
NI	Filter Grommet.....	94-ON	1	CD4E.RUB02
<b>METAL CLAD SEALS</b>				
153E	Filter Tube Seal.....	94-ON	1	CD4E.RUB01
NI	Converter Seal.....	94-ON	1	CD4E.MCS01
NI	Drive Shaft Seal (OE).....	94-ON	2	CD4E.MCS02
NI	Drive Shaft Seal.....	94-ON	2	CD4E.MCS12
NI	Drive Shaft Seal 4x4 R. Hand.....	01-ON	1	CD4E.MCS04
NI	Speedo Seal.....	94-ON	1	CD4E.MCS03
<b>MOULDED PISTONS</b>				
170A	Reverse Clutch.....	94-ON	1	CD4E.PIS07
171B	Coast Clutch (Multiple Springs).....	94-97	1	CD4E.PIS05
171B	Coast Clutch (Single Spring).....	98-ON	1	CD4E.PIS09
172E	2-4 Servo Piston (2 Rings)			
	101.67mm Rod Length (OE).....	-8/96	AR	CD4E.SER01
172E	2-4 Servo Piston (2 Rings)			
	101.67mm Rod Length (OE).....	8/96-ON	AR	CD4E.SER05
172E	2-4 Servo Piston (1 Ring)			
	102.87mm Rod Length.....	-8/96	AR	CD4E.SER04
172E	2-4 Servo Piston (1 Ring)			
	102.87mm Rod Length (OE).....	8/96-ON	AR	CD4E.SER06
172E	2-4 Servo Piston (0 Ring)			
	103.87mm Rod Length (OE).....	-8/96	AR	CD4E.SER03
	172E.....	2-4 Servo Piston (0 Ring)		
	103.87mm Rod Length (OE).....	8/96-ON	AR	CD4E.SER07
173E	Servo Cover Cap.....	6/93-8/95	1	CD4E.CAP01

ILL NO.	DESCRIPTION	YEARS	QTY	PART NO
<b>SHAFT SEALING RINGS</b>				
Kit	Sealing Ring Kit.....	94-ON	1	CD4E.SRK01
<b>FRICTION PLATES</b>				
Kit	Friction Plate Kit (Borg Warner).....	94-95	1	CD4E.FRK01
Kit	Friction Plate Kit (Borg Warner).....	96-ON	1	CD4E.FRK02
Kit	Friction Plate Kit (Alto).....	94-ON	1	CD4E.FRK51
250A	Reverse Input (Borg Warner) (155mm OD x 1.70mm x 36T) ..	94-ON	2	CD4E.FRP24
251B	Direct (Borg Warner) (134mm OD x 1.67mm x 24T) ..	94-95	3-4	CD4E.FRP22
251B	Direct High Energy (Borg Warner) (134mm OD x 1.67mm x 24T) ..	96-ON	3-4	CD4E.FRP26
252B	Coast (Borg Warner) (123mm OD x 1.65mm x 24T) ..	94-95	2	CD4E.FRP25
252B	Coast High Energy (Borg Warner) (123mm OD x 1.65mm x 24T) ..	96-ON	2	CD4E.FRP27
253B	Forward (Borg Warner) (134mm OD x 1.63mm x 32T) ..	94-ON	3	CD4E.FRP21
254D	Low/Reverse (Borg Warner) (219mm OD x 1.67mm x 32T) ..	94-ON	3-4	CD4E.FRP23
<b>STEEL PLATES</b>				
Kit	Steel Plate (Aftermarket).....	94-ON	1	CD4E.STK01
Kit	Steel Plate (Alto) (Thin & Thick Direct Steels).....	94-ON	1	CD4E.STK51
300A	Reverse Input (121mm ID x 1.75mm x 32T) ....	94-ON	2	CD4E.STP04
301B	Direct (105mm ID x 2.00mm x 32T) ....	94-ON	3-4	CD4E.STP02
301B	Direct (105mm ID x 3.00mm x 32/28T).....	94-ON	3	CD4E.STP06
302B	Coast (96mm ID x 1.75mm x 20T) .....	94-ON	2	CD4E.STP05
303B	Forward (109mm ID x 1.75mm x 32T) ....	94-ON	3	CD4E.STP01
304D	Low/Reverse (198mm ID x 2.00mm x 18T) ....	94-ON	3-4	CD4E.STP03
304D	Low/Reverse (198mm ID x 2.34mm x 18T) ....	94-ON	3-4	CD4E.STP08
304D	Low/Reverse (198mm ID x 2.54mm x 18T) ....	94-ON	4	CD4E.STP07
NI	Forward Clutch Waved Plate.....	98-ON	1	CD4E.STP09
<b>PRESSURE PLATES</b>				
400A	Reverse Input.....	94-ON	1	CD4E.PP03
401B	Direct Clutch Press Plate.....	94-ON	1	CD4E.PP01
402B	Coast Clutch (5.00mm).....	94-ON	1	CD4E.PP04
402B	Coast Clutch (8.00mm).....	94-ON	1	CD4E.PP05
403B	Forward Clutch.....	94-ON	1	CD4E.PP02

# FORD CD4E

## 4 SPEED FWD WITH LOCK UP (Full Electronic Control)



AUTOMATIC CHOICE

ILL NO.	DESCRIPTION	YEARS	QTY	PART NO
<b>SPRINGS &amp; CIRCLIPS</b>				
410A	Reverse Input Clutch Piston Return Spring Assy	94-ON	1	CD4E.SPR03
411B	Direct Clutch Piston Return Spring Assy	94-ON	1	CD4E.SPR01
412B	Forward Clutch Piston Return Spring Assy	94-08/98	1	CD4E.SPR04
414E	Outer Servo Spring	94-08/98	1	CD4E.SPR02
431A	Circlip, Reverse Input Clutch Return Spring Assy Retaining	94-ON	1	CD4E.CIR09
432B	Circlip Direct Clutch Retaining			
	(1.30mm)	94-ON	AR	CD4E.CIR01
	(1.44mm)	94-ON	AR	CD4E.CIR02
	(1.57mm)	94-ON	AR	CD4E.CIR03
	(1.70mm)	94-ON	AR	CD4E.CIR04
	(1.90mm)	94-ON	AR	CD4E.CIR08
434B	Circlip Fwd Clutch Ret Spring	94-ON	1	CD4E.CIR07
435B	Circlip Retaining Forward Clutch			
	(1.30mm)	94-ON	AR	CD4E.CIR01
	(1.44mm)	94-ON	AR	CD4E.CIR02
	(1.57mm)	94-ON	AR	CD4E.CIR03
	(1.70mm)	94-ON	AR	CD4E.CIR04
	(1.90mm)	94-ON	AR	CD4E.CIR08
438E	Circlip 2-4 Servo Retaining	94-08/98	1	CD4E.CIR05
438E	Circlip 2-4 Servo Retaining	08/98-ON	1	CD4E.CIR06
<b>FILTERS</b>				
450E	Filter	94-ON	1	CD4E.FIL01
<b>BANDS</b>				
500A	2-4 Band	08/94-00	1	CD4E.BAN02
500A	2-4 Band (Borg Warner)	08/94-00	1	CD4E.BAN22
500A	2-4 Band (High Energy Borg Warner)	00-ON	1	CD4E.BAN23
<b>BUSHES</b>				
Kit	Bush Kit Complete	94-ON	1	CD4E.BK01
NI	Sleeve Reverse Drum (Sonnax®)	94-ON	1	CD4E.BUS11
550A	Reverse Clutch Drum Pump Side (Flanged)	94-ON	1	CD4E.BUS05
551A	Reverse Clutch Drum Shell Side (No Flange)	94-ON	1	CD4E.BUS07
552A	Direct Shell (With Flange)	94-ON	1	CD4E.BUS08
553B	Fwd/Dir/Coast Drum Rear	94-ON	1	CD4E.BUS06
558D	O.D. & Reverse Planetary	94-ON	1	CD4E.BUS09
NI	Servo Pin Repair Bush (Use With TOOL.104)	94-ON	1	CD4E.BUS10

ILL NO.	DESCRIPTION	YEARS	QTY	PART NO
<b>THRUST WASHERS &amp; BEARINGS</b>				
Kit	Endplay Shim Kit (Sonnax® <a href="#">Click Here for Info</a> )	94-ON	1	CD4E.TWK01
600A	Direct Clutch 4 Tang Thrust	94-ON	1	CD4E.THW05
605E	Drive Sprocket to Case Selective Thrust (Blue)	94-ON	AR	CD4E.THW01
605E	Drive Sprocket to Case Selective Thrust (Black)	94-ON	AR	CD4E.THW02
605E	Drive Sprocket to Case Selective Thrust (Grey)	94-ON	AR	CD4E.THW03
605E	Drive Sprocket to Case Selective Thrust (Green)	94-ON	AR	CD4E.THW04
650A	Bearing-Pump to Reverse Drum Clutch Hub	94-ON	1	CD4E.TOR01
652C	Radial Bearing (Rear of Low Planetary)	94-ON	1	CD4E.TOR03
653C	Radial Bearing (Ring Gear to Planetary)	94-ON	1	CD4E.TOR02
656E	Needle Bearing - Driving Pinion	94-ON	1	CD4E.THW07
NI	Diff Side Gear Concave Thrust Washer	94-ON	2	CD4E.THW06
<b>ELECTRICAL COMPONENTS</b>				
700E	Valve Body Solenoid Pack (Brown Connector)	6/93-5/98	1	CD4E.SOL01
700E	Valve Body Solenoid Pack	5/98-ON	1	CD4E.SOL02
NI	Input Speed Sensor (Pump)	94-ON	1	CD4E.ELE04
NI	Vehicle Speed Sensor	-1/95	1	CD4E.ELE02
NI	Vehicle Speed Sensor	1/95-ON	1	CD4E.ELE05
NI	Vehicle Speed Sensor Non Cable Drive (With 40.64cm Wire)	95-ON	1	CD4E.ELE09
NI	Range Switch	-5/2000	1	CD4E.ELE06
NI	Output Shaft Sensor	6/98-ON	1	CD4E.ELE07
<b>VALVE BODY COMPONENTS</b>				
Kit	Shift Kit (TranGo)	94-ON	1	CD4E.SK01
750E	Valve Body Assy Rebuilt (Own Core Rebuild)	94-98	1	CD4E.VB01
750E	Valve Body Assy Rebuilt (Own Core Rebuild)	98-ON	1	CD4E.VB02
NI	By-Pass & Press Regulator Kit (Sonnax)	94-ON	1	CD4E.VA01
NI	Pressure Regulator Kit (Sonnax® <a href="#">Click Here for Info</a> )	94-ON	1	CD4E.VA02
NI	By-Pass Clutch Control Kit (Sonnax® <a href="#">Click Here for Info</a> )	94-ON	1	CD4E.VA03
NI	Valve Body Master Tool Kit (Sonnax® <a href="#">Click Here for Info</a> )	94-ON		CD4E.VA04
NI	By-Pass Tool Kit (Sonnax)	94-ON		CD4E.VA06
NI	Press Reg Tool Kit (Sonnax)	94-ON		CD4E.VA07
NI	Press Reg Tool Kit for use with Valve Body Fixture AG4.VA05 (Sonnax®)	94-ON		CD4E.VA09
NI	Drill Kit for VA06 & VA07	94-ON		CD4E.VA08
NI	2 - 4 Accumilator Piston & Spring (Sonnax® <a href="#">Click here for Info</a> )	94-ON	1	CD4E.PIS02
NI	Low/Rev Acc Piston & Spring (Sonnax® <a href="#">Click Here for Info</a> )	94-ON	1	CD4E.PIS03
NI	Forward Acc Piston & Spring (Sonnax® <a href="#">Click Here for Info</a> )	94-ON	1	CD4E.PIS04



THE AUTOMATIC TRANSMISSION PARTS WAREHOUSE

# FORD CD4E

## 4 SPEED FWD WITH LOCK UP (Full Electronic Control)



AUTOMATIC CHOICE

ILL NO.	DESCRIPTION	YEARS	QTY	PART NO
<b>HARD PARTS</b>				
800A	Pump Assy.....	-01/97	1	CD4E.PUM01
800A	Pump Assy (Rebuilt) .....	-01/97	1	CD4E.PUM31
800A	Pump Assy.....	01/97-ON	1	CD4E.PUM02
801A	Pump Cover Support and Ring Tower (Rebuilt) .....	94-ON	1	CD4E.SUP01
NI	Pump Gear Kit (Standard) (Sonnax® <a href="#">Click Here for Info</a> ) ...	94-ON	1	CD4E.PUM04
NI	Pump Drive Insert.....	94-ON	1	CD4E.PUM03
NI	Pump Drive Shaft 1.8/2.0 Ltr.....	94-ON	1	CD4E.SH01
NI	Pump Drive Shaft V6 2.5Ltr .....	94-ON	1	NLA
NI	Pump Seperator Plate.....	01/97-ON	1	CD4E.SP01
802A	Hub, Reverse Clutch.....	94-ON	1	CD4E.HUB02
803A	Reverse Input Drum.....	94-ON	1	CD4E.DRU03
804A	Direct Clutch Hub Shell Assy ....	94-ON	1	CD4E.POT02
805B	Aluminium Dir Clutch Piston .....	94-ON	1	CD4E.PIS01
806B	Fwd/Dir/Coast Drum 1.8/2.0 .....	To-05/98	1	CD4E.DRU01
806B	Fwd/Dir/Coast Drum 1.8/2.0 (OEM) .....	05/98-ON	1	CD4E.DRU04
	(Aftermarket).....	05/98-ON	1	CD4E.DRU54
806B	Fwd/Dir/Coast Drum (V6 2.5Ltr) 8/94-5/98	1		CD4E.DRU02
806B	Fwd/Dir/Coast Drum (V6 2.5Ltr) (OEM) .....	5/98-ON	1	CD4E.DRU05
	(Aftermarket).....	5/98-ON	1	CD4E.DRU55
807B	Forward Piston.....	6/93-5/98	1	CD4E.PIS08
807B	Forward Piston.....	5/98-ON	1	CD4E.PIS10
808B	Piston Set, Direct Clutch .....	94-ON	1	CD4E.PIS11
809C	Low/Inter Sun Gear Assy (Including OWC) .....	-02/2004	1	CD4E.OWC01
810C	Forward Sprag (15mm Wide)....	-06/98	1	CD4E.OWC02
810C	Fwd Sprag (13.75 mm Wide)....	06/98-ON	1	CD4E.OWC03
811C	Low/Intermediate (Sun Gear Only).....	-03/98	1	CD4E.OWC31
811C	Low/Intermediate (Sun Gear Only).....	03/98-ON	1	CD4E.OWC32
812C	Forward, Low/Inter Planetary (3 Gear).....	> 05/99	1	CD4E.PL01
812C	Forward, Low/Inter Planetary (4 Gear, Will Retro Fit 94->) .....	94-ON	1	CD4E.PL03
813C	Low/Inter Ring Gear (OEM) .....	94-ON	1	CD4E.HUB01
813C	Low/Inter Ring Gear (USA) .....	94-ON	1	CD4E.HUB31
814C	Rev/OD Sun Gear.....	94-ON	1	CD4E.POT01
817D	Low Roller Clutch.....	94-ON	1	CD4E.OWC04
818D	Reverse Planetary, 3 Gear With Low/Reverse Hub .....	94-ON	1	CD4E.PL02
818D	Reverse Planetary, 4 Gear With Low/Reverse Hub .....	94-ON	1	CD4E.PL04
819D	Drive Sprocket (V6 2.5Ltr) .....	08/94-ON	1	CD4E.DIFF06
821E	Diff Driven Sprocket (1.8/2.0Ltr) 94-00	1		CD4E.DIFF02
821E	Diff Driven Sprocket (2.0Ltr Duratec).....	01-07	1	CD4E.DIFF07
821E	Diff Driven Sprocket (V6 2.5Ltr) 08/94-ON	1		CD4E.DIFF05
822E	Drive Chain (1.8 & 2.0 Litre) .....	08/94-ON	1	CD4E.CH03
822E	Drive Chain 2.5 Litre (25mm)....	-12/98	1	CD4E.CH02
822E	Drive Chain 2.5 Litre (18mm)....	12/98-ON	1	CD4E.CH04
822E	Drive Chain Mazda 2.0 Ltr (46 Link x 19mm) .....	94-ON	1	CD4E.CH05
823E	Diff Assy (1.8/2.0).....	06/93-ON	1	CD4E.DIFF01
823E	Diff Assy (V6 2.5Ltr) .....	08/94-ON	1	CD4E.DIFF04
825E	Ring Gear Final Drive (Splines to Case) 1.8/2.0 Ltr .....	94-ON	1	CD4E.DIFF03
NI	Modified Breather Assy.....	94-ON	1	CD4E.BRE01

ILL NO.	DESCRIPTION	YEARS	QTY	PART NO
<b>TORQUE CONVERTERS</b>				
NI	Mondeo 1.8/2.0 Ltr.....	94-ON	1	CD4E.TC01
NI	Mondeo/Cougar V6.....	94-ON	1	CD4E.TC02
NI	Mondeo 2.0Ltr Duratec (H Stamp).....	10/00-ON	1	CD4E.TC03
<b>SERVICE MANUALS &amp; SPECIAL TOOLS</b>				
NI	ATSG Rebuild Manual .....	94-ON		CD4E.MAN01
NI	Ford Workshop Manual.....	94-ON		CD4E.MAN02
<a href="#">Click here to view special tools for this transmission</a>				



THE AUTOMATIC TRANSMISSION PARTS WAREHOUSE