

FORD C3

3 SPEED RWD (Hydraulic Control)

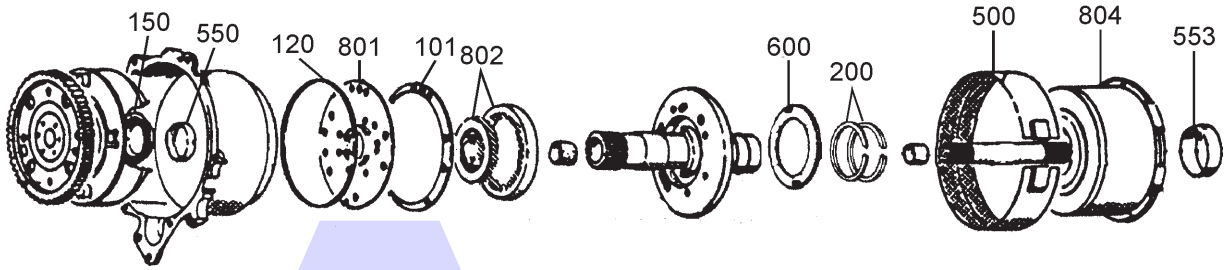


AUTOMATIC CHOICE



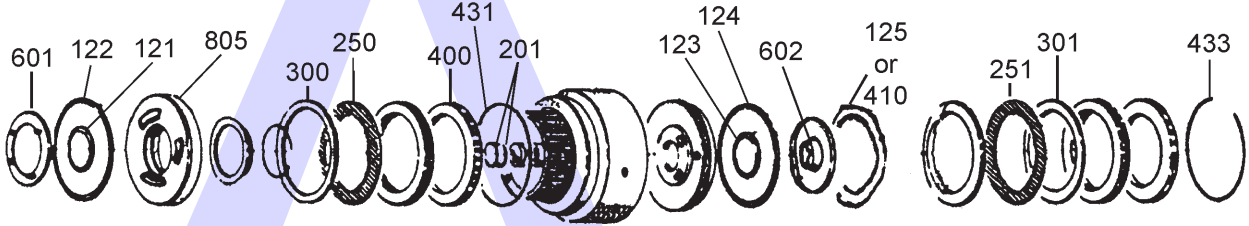
THE AUTOMATIC TRANSMISSION PARTS WAREHOUSE

A



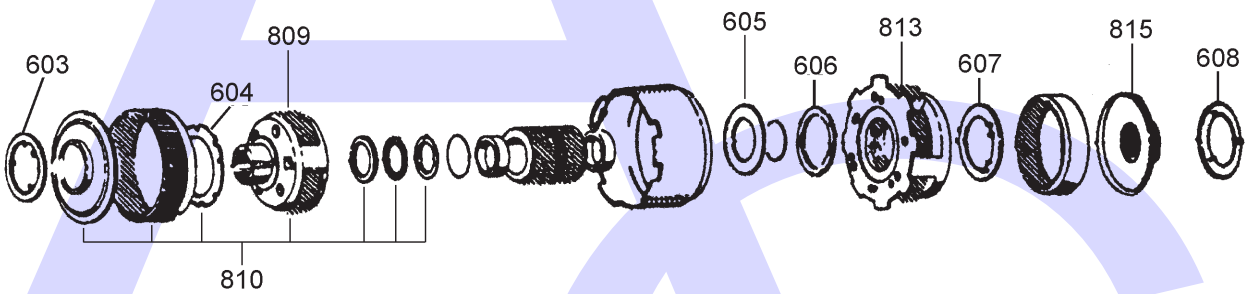
Oil Pump & Direct Drum

B



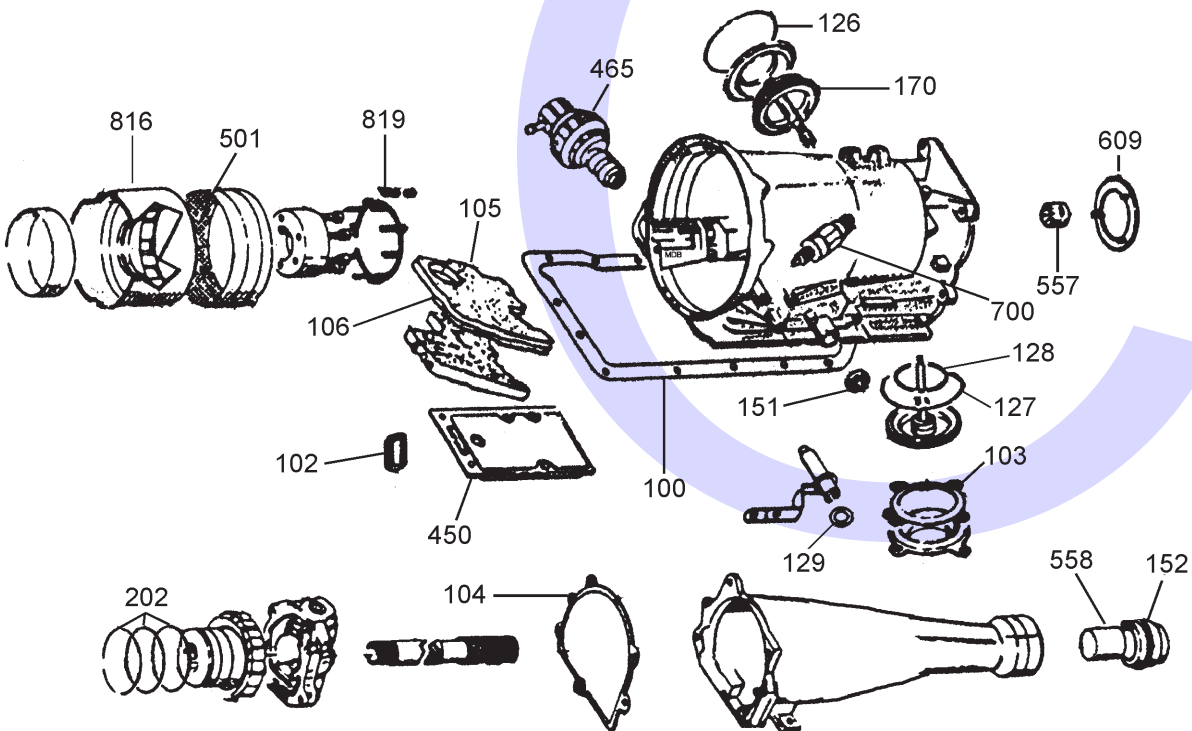
Direct Clutch & Forward Clutch

C



Planetary Assemblies

D



Case, Servo's & Output Shaft

FORD C3

3 SPEED RWD (Hydraulic Control)



AUTOMATIC CHOICE



THE AUTOMATIC TRANSMISSION PARTS WAREHOUSE

| ILL NO. | DESCRIPTION | YEARS | QTY | PART NO |
|--------------------------|---|-------|-----|-------------------|
| KITS | | | | |
| Kit | Overhaul Kit W/O Band Nut (Transtec)..... | 74-ON | 1 | C3.OHK01 |
| Kit | Overhaul Kit (Precision)..... | 74-ON | 1 | C3.OHK51 |
| Kit | Gasket & Rubber Kit..... | 74-ON | 1 | C3.GSK01 |
| GASKETS | | | | |
| 100D | Pan Gasket..... | 74-ON | 1 | C3.GAS01 |
| 100D | Pan Gasket (Farpak)..... | 74-ON | 1 | C3.GAS10 |
| 101A | Front Pump..... | 74-ON | 1 | C3.GAS02 |
| 102D | Filter Gasket..... | 74-ON | 1 | C3.GAS07 |
| 103D | Rear Servo Cover Gasket..... | 74-ON | 1 | C3.GAS04 |
| 104D | Extension Housing..... | 74-ON | 1 | C3.GAS03 |
| 105D | Valve Body Gasket Upper..... | 74-ON | 1 | C3.GAS06 |
| 106D | Valve Body Gasket Lower..... | 74-ON | 1 | C3.GAS05 |
| NI | Bellhousing Bolt Washers..... | 74-ON | 8 | C3.GAS08 |
| RUBBER COMPONENTS | | | | |
| 120A | Con House Lathe Cut Seal..... | 74-ON | 1 | C3.SQR01 |
| 125B | Fwd Clutch Cushion Rubber..... | 78-ON | 1 | C3.RUB03 |
| 126D | Int Servo Cover 'O' Ring..... | 74-ON | 1 | A4LD.OR04 |
| 127D | Rear Servo Outer 'O'ring..... | 74-ON | 1 | C3.OR01 |
| 128D | Rear Servo Inner 'O'ring..... | 74-ON | 1 | C3.OR02 |
| 129D | Kickdown Shaft 'O' Ring..... | 74-ON | 1 | C3.OR04 |
| 123B | Fwd Clutch Inner Seal..... | 74-ON | 1 | C3.SQR02 |
| 124B | Fwd Clutch Outer Seal..... | 74-ON | 1 | C3.SQR03 |
| 121B | Top/Rev Clutch Inner (L/Cut).... | 74-ON | 1 | C3.SQR04 |
| 122B | Top/Rev Clutch Outer(L/Cut).... | 74-ON | 1 | C3.SQR05 |
| NI | Filler Tube Seal..... | 74-ON | 1 | C3.RUB01 |
| NI | Inhibitor Switch 'O' Ring..... | 74-ON | 1 | CTX.OR12 |
| NI | Modulator 'O' Ring..... | 74-ON | 1 | C3.OR03 |
| NI | Valve Body Check Balls..... | 74-ON | AR | C3.RUB02 |
| METAL CLAD SEALS | | | | |
| 150A | Converter Seal..... | 74-ON | 1 | C3.MCS01 |
| 151D | Selector Shaft..... | 74-ON | 1 | C3.MCS03 |
| 152D | Ext Housing..... | 74-ON | 1 | C3.MCS02 |
| MOULDED PISTONS | | | | |
| 170D | Intermediate (Front) Servo Piston | | | |
| | Large (52mm)..... | 74-80 | 1 | A4LD.SER03 |
| | Medium (48mm)..... | 75-83 | 1 | A4LD.SER02 |
| | Small (46mm)..... | 83-ON | 1 | A4LD.SER01 |
| SEALING RINGS | | | | |
| Kit | Sealing Ring Kit..... | 74-ON | 1 | C3.SRK01 |
| 200A | Front Pump to Direct Drum..... | 74-ON | 2 | C3.SSR01 |
| 201B | Forward Clutch Drum (Steel).... | 74-ON | 2 | C3.SSR02 |
| 201B | Forward Clutch Drum (Teflon)... | 74-ON | 2 | C3.SSR05 |
| 202D | Governor Rubber..... | 74-ON | 3 | C3.SSR04 |

| ILL NO. | DESCRIPTION | YEARS | QTY | PART NO |
|-------------------------------|---------------------------------------|---------|-----|-------------------|
| FRICTION PLATES | | | | |
| Kit | Friction Plate (Aftermarket)..... | 74-ON | 1 | C3.FRK01 |
| Kit | Friction Plate (Alto)..... | 74-ON | 1 | C3.FRK51 |
| 250B | Direct (Front)..... | 74-ON | 4-5 | C3.FRP02 |
| 250B | Direct (Borg Warner)..... | 74-ON | 4-5 | C3.FRP12 |
| 251B | Forward (Rear)..... | 74-ON | 4-5 | C3.FRP01 |
| 251B | Forward (Borg Warner)..... | 74-ON | 4-5 | C3.FRP11 |
| 251B | Forward (Alto)..... | 74-ON | 4-5 | C3.FRP51 |
| STEEL PLATES | | | | |
| Kit | Steel Plate (Alto)..... | 74-77 | 1 | C3.STK51 |
| Kit | Steel Plate (Aftermarket)..... | 3/78-ON | 1 | C3.STK02 |
| Kit | Steel Plate (Alto)..... | 3/78-ON | 1 | C3.STK52 |
| 300B | Direct To 3/78 (2.00mm)..... | 74-78 | 4-5 | C3.STP03 |
| 300B | Direct From 3/78 (1.70mm)..... | 78-ON | 5-6 | C3.STP04 |
| 301B | Forward To 3/78 (2.00mm)..... | 74-78 | 4-5 | C3.STP01 |
| 301B | Forward From 3/78 (1.70mm)... | 78-ON | 5-6 | C3.STP02 |
| PRESSURE PLATES | | | | |
| 400B | Direct Clutch (20T x 5.60mm)... | 74-ON | 1 | A4LD.PP03 |
| SPRINGS & CIRCLIPS | | | | |
| 430B | Top/Rev Piston Retainer Circlip | 74-ON | 1 | A4LD.CIR01 |
| 431B | Top/Reverse Circlip (1.37mm) .. | 74-ON | AR | C3.CIR05 |
| 431B | Top/Reverse Circlip (1.67mm) .. | 74-ON | AR | C3.CIR04 |
| 431B | Top/Reverse Circlip (2.08mm) .. | 74-ON | AR | C3.CIR02 |
| 431B | Top/Reverse Circlip (2.44mm) .. | 74-ON | AR | C3.CIR01 |
| 433B | Fwd Clutch Circlip (1.35mm)..... | 74-ON | AR | C3.CIR03 |
| 433B | Fwd Clutch Circlip (1.67mm)..... | 74-ON | AR | C3.CIR06 |
| 433B | Fwd Clutch Circlip (2.10mm)..... | 74-ON | AR | C3.CIR07 |
| FILTERS | | | | |
| 450D | Filter..... | 74-ON | 1 | C3.FIL01 |
| MODULATORS | | | | |
| 465D | Modulator (OEM All)..... | 74-ON | 1 | C3.MOD01 |
| 465D | Modulator (Adjustable All)..... | 74-ON | 1 | C3.MOD02 |
| 465D | Modulator (Turbo)..... | 85-ON | 1 | C3.MOD03 |
| 465D | Modulator, (4 Cyl Black Stripe) .. | 74-ON | 1 | C3.MOD04 |
| 465D | Modulator, (6 Cyl Green Stripe) .. | 74-ON | 1 | C3.MOD05 |
| BANDS | | | | |
| 500A | Intermediate (Front) Band (AM) | 74-ON | 1 | C3.BAN01 |
| 500A | Intermediate (Borg Warner)..... | 74-ON | 1 | C3.BAN12 |
| 501D | Low & Reverse Band (Aftermarket)..... | 74-ON | 1 | C3.BAN02 |
| 501D | Low & Reverse Band (OEM New)..... | 74-ON | 1 | C3.BAN03 |
| NI | Band Adjusting Nut..... | 74-ON | 1 | C3.NUT01 |
| BUSHES | | | | |
| Kit | Bush Kit..... | 74-ON | 1 | C3.BK01 |
| 550A | Converter Bush (Babbit)..... | 74-ON | 1 | C3.BUS01 |
| 550A | Converter Bush (Bronze)..... | 74-ON | 1 | C3.BUS02 |
| 550A | Converter (Pack of 5)..... | 74-ON | AR | C3.BUS04 |
| 553A | Third & Reverse Drum (Cast) ... | 74-ON | 1 | A4LD.BUS06 |
| 557D | Rear Casing..... | 74-ON | 1 | C3.BUS05 |
| 558D | Extension Housing..... | 74-ON | 1 | C3.BUS03 |

FORD C3

3 SPEED RWD (Hydraulic Control)



AUTOMATIC CHOICE



THE AUTOMATIC TRANSMISSION PARTS WAREHOUSE

| ILL NO. | DESCRIPTION | YEARS | QTY | PART NO |
|--------------------------------------|-----------------------------------|-------|-----|------------|
| THRUST WASHERS & BEARINGS | | | | |
| 600A | Front Pump to Direct Drum | | | |
| | Selective #1 1.40mm | 74-ON | AR | C3.THW01 |
| | Selective #2 1.60mm | 74-ON | AR | C3.THW02 |
| | Selective #3 1.70mm | 74-ON | AR | C3.THW03 |
| | Selective #4 1.80mm | 74-ON | AR | C3.THW04 |
| | Selective #5 1.90mm | 74-ON | AR | C3.THW05 |
| | Selective #6 2.00mm | 74-ON | AR | C3.THW06 |
| | Selective #7 2.10mm | 74-ON | AR | C3.THW07 |
| | Selective "A" 1.20mm..... | 74-ON | AR | C3.THW10 |
| | Selective "B" 2.20mm..... | 74-ON | AR | C3.THW11 |
| | Selective "C" 2.40mm | 74-ON | AR | C3.THW12 |
| | Selective "D" 2.60mm | 74-ON | AR | C3.THW13 |
| | Selective "E" 2.80mm..... | 74-ON | AR | C3.THW08 |
| | Selective (Plastic) 1.20mm | 74-ON | AR | C3.THW21 |
| | Selective (Plastic) 1.60mm | 74-ON | AR | C3.THW22 |
| | Selective (Plastic) 2.00mm | 74-ON | AR | C3.THW23 |
| | Selective (Plastic) 2.40mm | 74-ON | AR | C3.THW24 |
| | Selective (Plastic) 2.80mm | 74-ON | AR | C3.THW25 |
| 602B | Front Planet to Forward Clutch | | | |
| | Front (3 Tabs on I.D.) | 74-ON | 1 | C3.THW15 |
| 602B | Front Planet to Forward Clutch | | | |
| | Front 3rd Design Solid Brass. | | | |
| | (3 Tabs on I.D.) | 74-ON | 1 | C3.THW26 |
| 603C | Fwd Clutch to Planetary | | | |
| | Front (4 Tabs on I.D.) | 74-ON | 1 | C3.THW16 |
| 604C | Front Gearset (Front 6 Tang) | 74-ON | 1 | C3.THW09 |
| 605C | Sun Shell (Steel) | 74-ON | 1 | C3.THW20 |
| 606C | Rear Gearset (Front 6 Tang) | 74-ON | 1 | C3.THW09 |
| 607C | Front Gearset (Rear 6 Tang) | 74-ON | 1 | C3.THW09 |
| 608C | Rear Hub to One Way Clutch ... | 74-ON | 1 | C3.THW14 |
| 608C | Rear Hub to One Way Clutch | | | |
| | (Plastic) | 74-ON | 1 | C3.THW18 |
| 609D | Case to Governor Support | 74-ON | 1 | C3.THW19 |
| ELECTRICAL COMPONENTS | | | | |
| 700D | Inhibitor Switch | 74-ON | 1 | A4LD.INH01 |
| VALVE BODY COMPONENTS | | | | |
| Kit | Valve Body Shift | 74-ON | 1 | C3.SK01 |
| NI | Valve Body Check Balls | 74-ON | AR | C3.RUB02 |
| HARD PARTS | | | | |
| 800A | Pump Assembly | 74-ON | 1 | C3.PUM01 |
| 801A | Pump Wear Plate | 74-ON | 1 | C3.PUM02 |
| 802A | Pump Gear Set | 74-ON | 1 | C3.PUM03 |
| 805B | Top/Rev Piston (Lathe Cut) | 74-ON | 1 | C3.PIS01 |
| 805B | Top/Rev Piston (Lip Seal) | 74-ON | 1 | C3.PIS02 |
| 809C | Forward Planetary Assy | | | |
| | (Alum With Spap Ring Groove) | 74-ON | 1 | C3.PL03 |
| 810C | Forward Planetary Assy | | | |
| | (With Ring Gear Hub& Bearing) | 74-ON | 1 | C3.PL01 |
| 813C | Rear Planetary Assy | | | |
| | (3 Pinion Aluminium) | 74-ON | 1 | C3.PL02 |
| 804A | 5 Plate Direct Drum | 74-ON | 1 | C3.DRU01 |
| 816D | Drum - Reverse Band | 74-ON | 1 | C3.DRU02 |
| 819D | Low Spring & Roller Kit | 74-ON | 1 | C3.OWC01 |
| 815C | Rear Anulus Hub | 74-ON | 1 | C3.HUB01 |
| NI | Band Adjusting Nut | 74-ON | 1 | C3.NUT01 |

| ILL NO. | DESCRIPTION | YEARS | QTY | PART NO |
|--|-------------|-------|-----|---------|
| SPECIAL ITEMS | | | | |
| | | | | |
| TOOLS & MANUALS | | | | |
| Click here to view special tools for this transmission | | | | |