

Borg Warner DG

3 Speed RWD (Hydraulic Control)

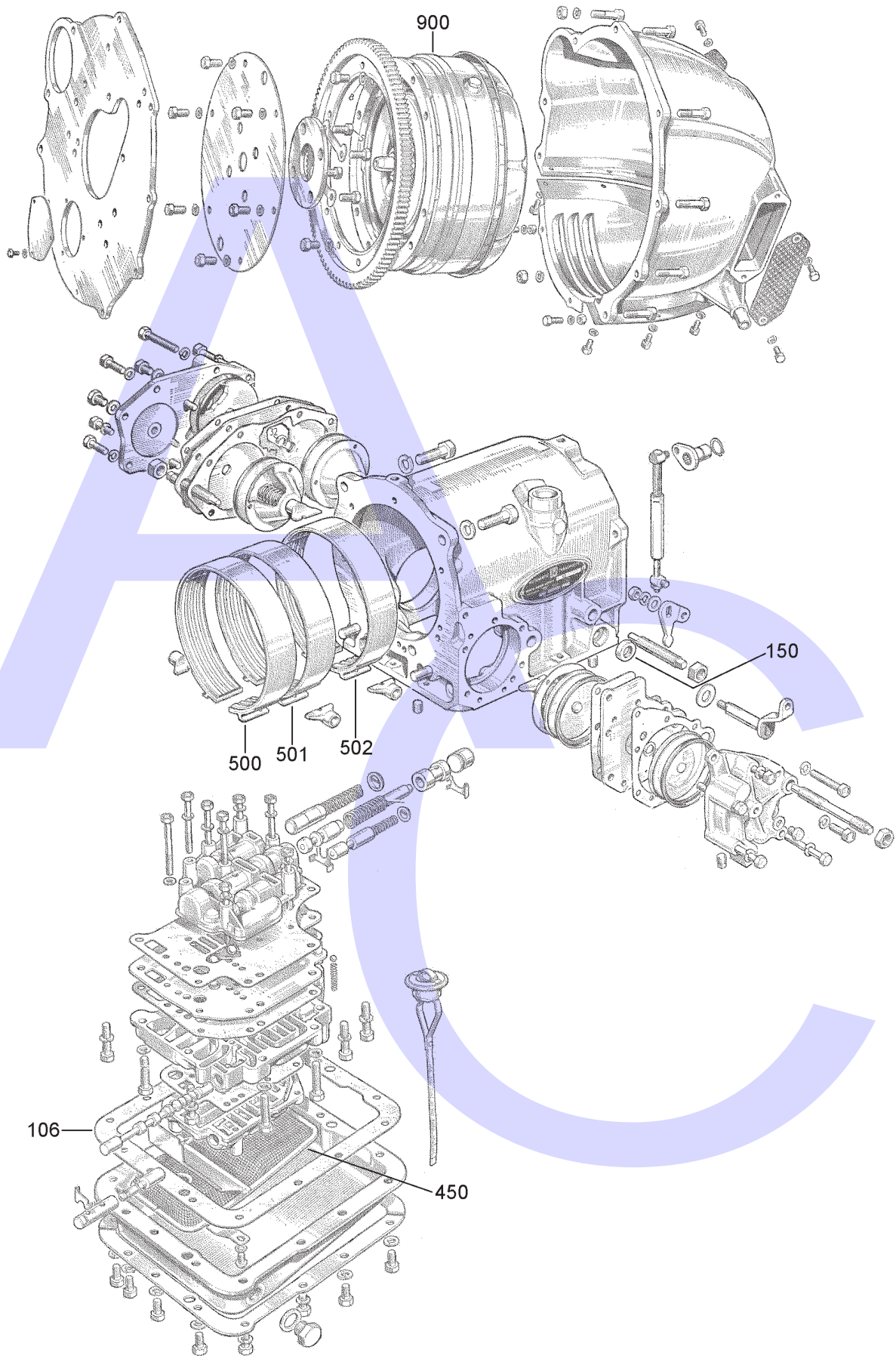


AUTOMATIC CHOICE



THE AUTOMATIC TRANSMISSION PARTS WAREHOUSE

A



Borg Warner DG 3 Speed RWD (Hydraulic Control)

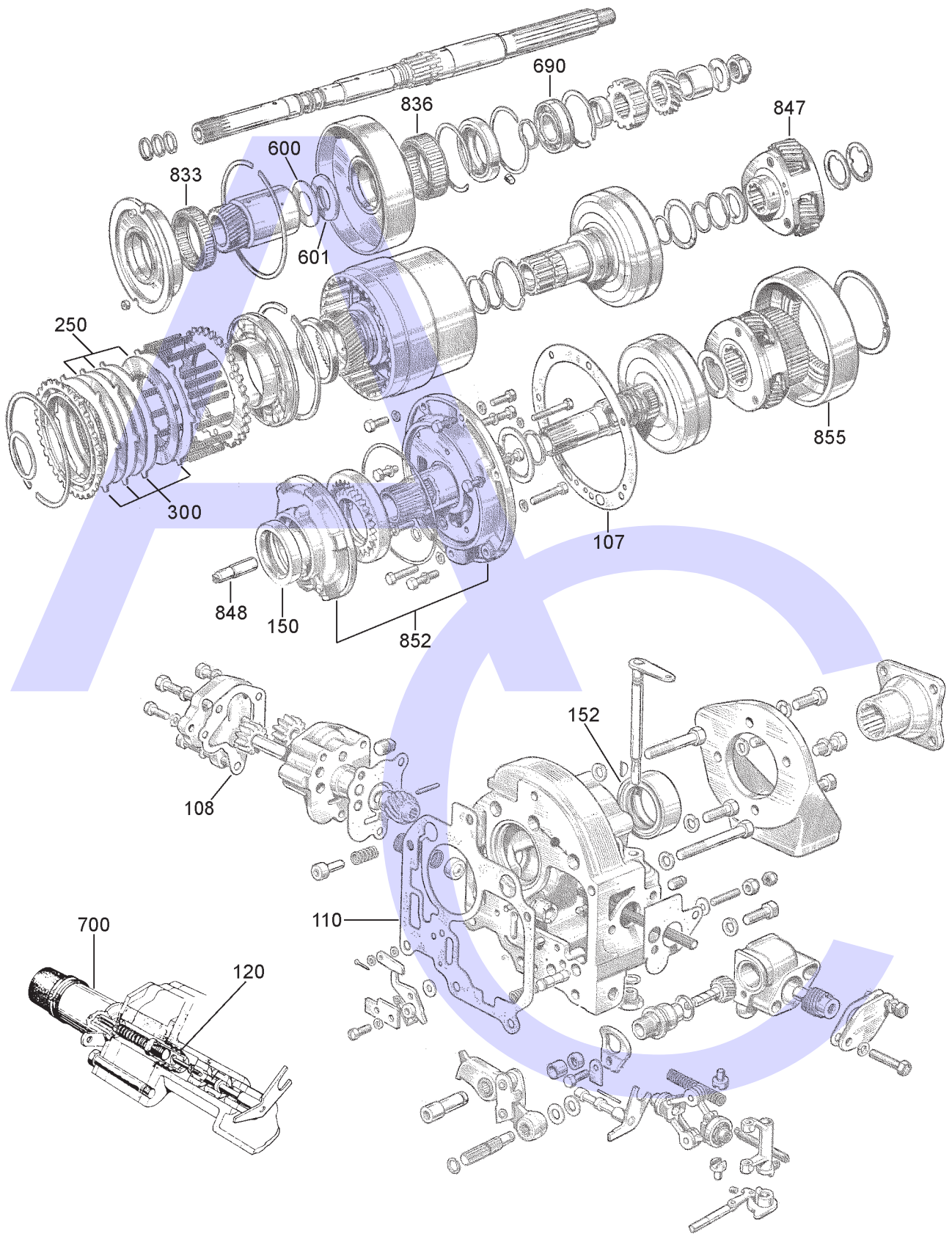


AUTOMATIC CHOICE



THE AUTOMATIC TRANSMISSION PARTS WAREHOUSE

B



Borg Warner DG

3 Speed RWD (Hydraulic Control)



AUTOMATIC CHOICE

ILL NO.	DESCRIPTION	YEARS	QTY	PART NO
KITS				
Kit	Master Overhaul	50-65	1	BWDG.MOHK01
Kit	Overhaul Kit (Gaskets, Rubbers, Metal Clad Seals, Jaguar Bellows Kit & Sealing Rings)	50-65	1	BWDG.OHK01
Kit	Gasket & Rubber	50-65	1	BWDG.GSK01
Kit	Gasket Kit	50-65	1	BWDG.GK01
GASKETS				
106A	Oil Pan	50-65	1	BWDG.GAS01
107B	Front Pump to Case	50-65	1	BWDG.GAS02
108B	Rear Pump Cover (Set of 3)	50-65	1	BWDG.GAS04
110B	Extension Housing	50-65	1	BWDG.GAS03
RUBBER COMPONENTS				
120B	Bellows Seal & Fitting Kit (Intermediate Hold Solenoid)	50-65	1	BWDG.BELLOWKIT
METAL CLAD SEALS				
150A	Selectot Shaft	50-65	1	BWDG.MCS03
151B	Pump to Converter	50-65	1	BWDG.MCS01
152B	Extension Seal	50-65	1	TF8.MCS06
SEALING RINGS				
Kit	Sealing Ring Kit	50-65	1	BWDG.SRK01
FRICTION PLATES				
250B	Intermediate Clutch (128mm OD x 2.50mm x 57T) ..	50-65	3-4	BWDG.FRP01
STEEL PLATES				
300B	Intermediate Clutch (94.50mm ID x 1.75mm x 6T) ...	50-65	4-5	BWDG.STP01
PRESSURE PLATES				
SPRINGS & CIRCLIPS				
FILTERS				
450A	Pan Filter	50-65	1	BWDG.FIL01

ILL NO.	DESCRIPTION	YEARS	QTY	PART NO
BANDS				
500A	Band, Reverse	50-65	1	BWDG.BAN02
501A	Band, Low Braking	50-65	1	BWDG.BAN01
502A	Band, Forward	50-65	1	BWDG.BAN01
BUSHINGS				
NI	Bushing, Front Pump	50-65	1	BWDG.BUS01
THRUST WASHERS & BEARINGS				
Kit	Thrust Washer Kit	50-65	1	BWDG.TWK01
600B	Thrust washer, Thin Rear Sun Gear	50-65	1	BWDG.THW01
601B	Thrust washer, Thick Rear Sun Gear	50-65	1	BWDG.RET01
690B	Bearing, Output Shaft	50-65	1	BWDG.BE01
ELECTRICAL COMPONENTS				
700B	Solenoid, Intermediate Hold	50-65	1	BWDG.SOL01
NI	Anti Creep Switch	50-65	1	BWDG.ELE01
VALVE BODY PARTS				
HARD PARTS				
833B	One Way Clutch, Reverse	50-65	1	BWDG.OWC01
836B	One Way Clutch, Forward	50-65	1	BWDG.OWC02
847B	Rear Planetary Carrier	50-65	1	BWDG.PL01
848B	Tube, Converter Transfer	50-65	1	BWDG.TU01
852B	Front Pump Assy (Used)	50-65	1	BWDG.PUM01
855B	Reverse Brake Drum (Used)	50-65	1	BWDG.DRU01
SPECIAL ITEMS				
900A	Torque Converter Rebuilt (Daimler/Rover)	50-65	1	BWDG.TC01
900A	Torque Converter Rebuilt (Jaguar)	50-65	1	BWDG.TC03
TOOLS & MANUALS				



THE AUTOMATIC TRANSMISSION PARTS WAREHOUSE