

Borg Warner Velvet Drive 71C, 72C V Drive



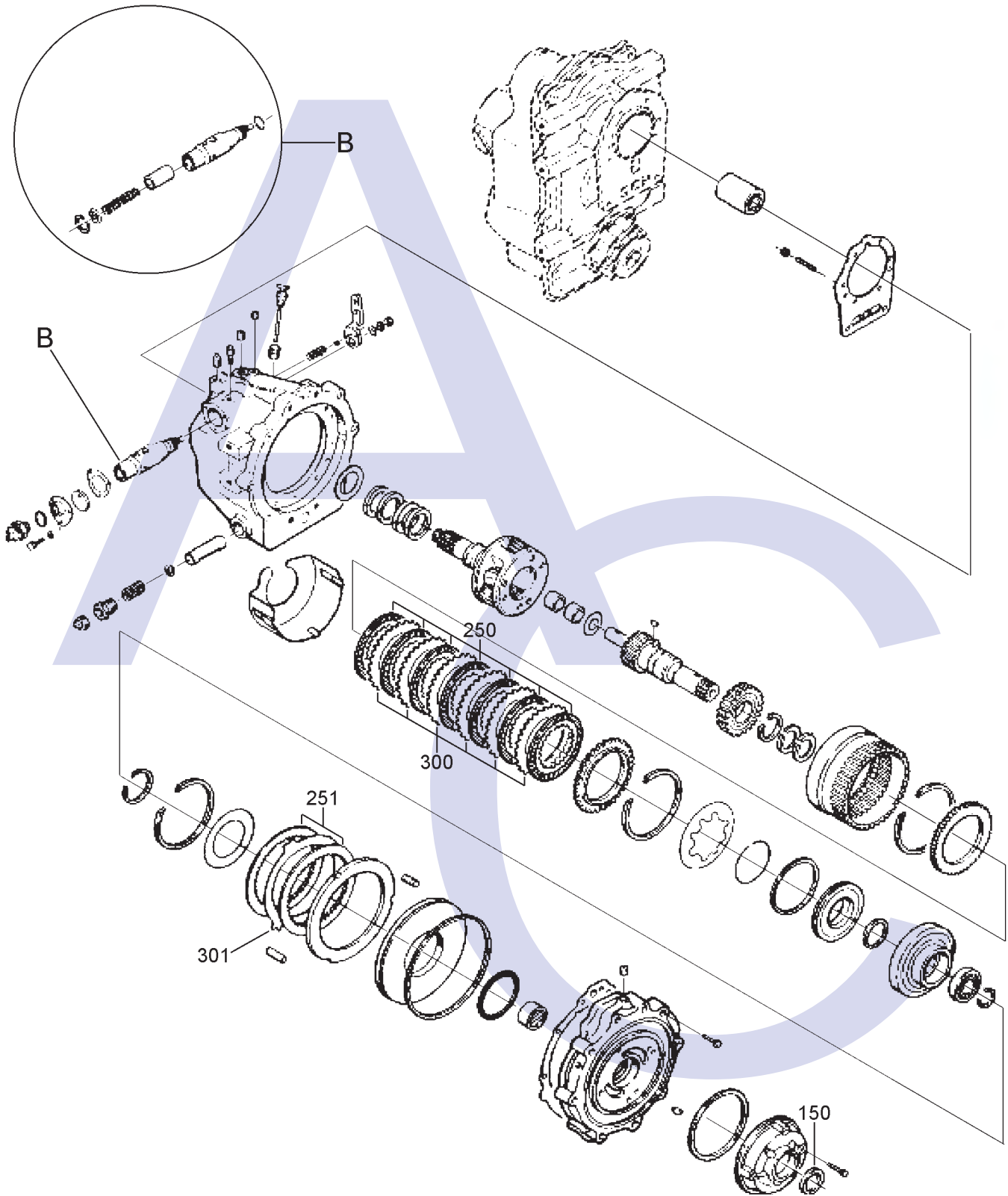
AUTOMATIC CHOICE



THE AUTOMATIC TRANSMISSION PARTS WAREHOUSE

A

Transmission Unit



Borg Warner Velvet Drive 71C, 72C V Drive



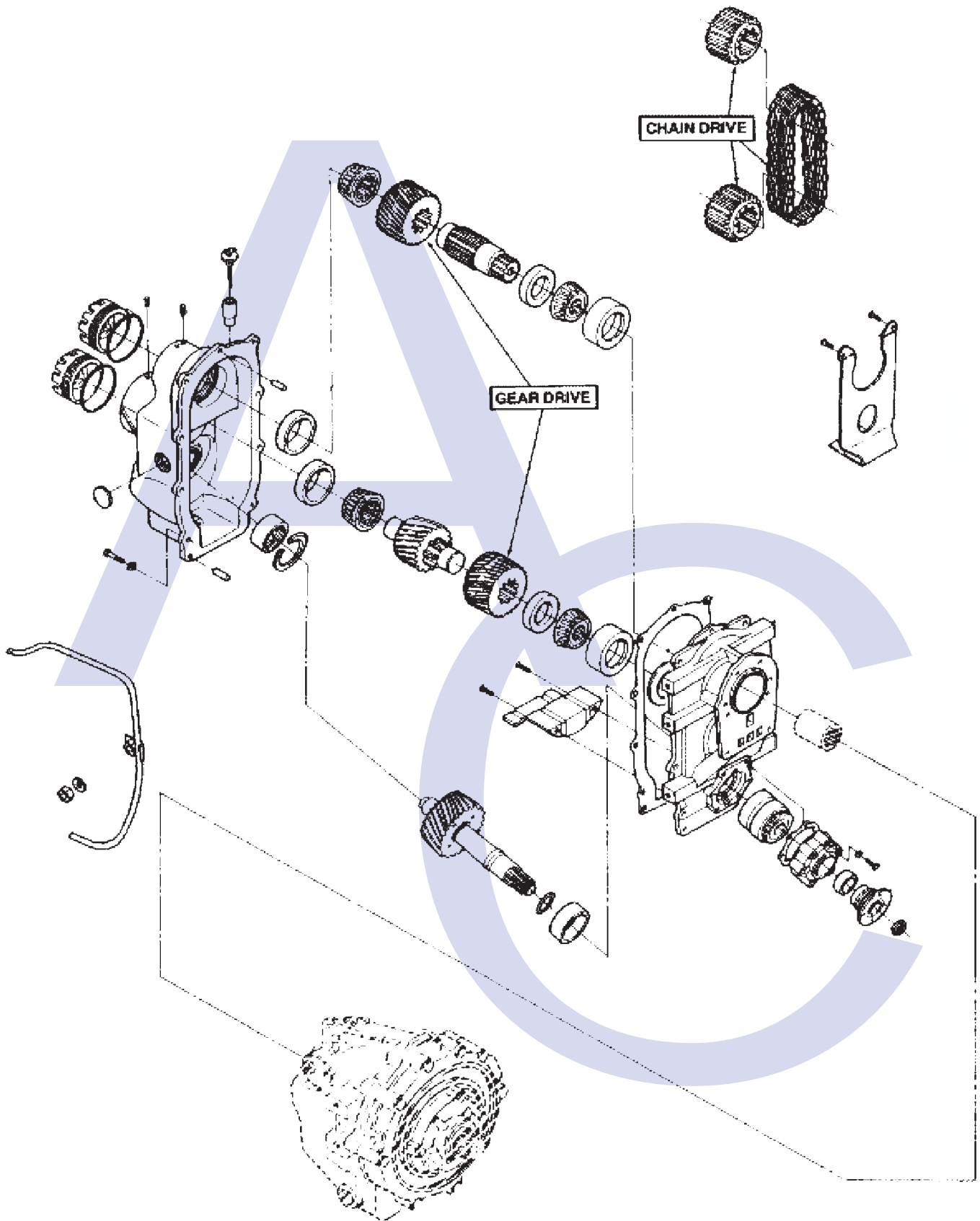
AUTOMATIC CHOICE



THE AUTOMATIC TRANSMISSION PARTS WAREHOUSE

B

V Drive Unit



Borg Warner Velvet Drive 71C, 72C V Drive



AUTOMATIC CHOICE



THE AUTOMATIC TRANSMISSION PARTS WAREHOUSE

ILL NO.	DESCRIPTION	YEARS	QTY	PART NO
KITS				
Kit	Master Overhaul (71C/72C)..... All		1	MARINE.MOHK01
Kit	Overhaul (71C, 72C)..... All		1	MARINE.K01
Kit	Overhaul (71C, 72C Transtec)..... All		1	MARINE.K02
Kit	Overhaul (73C)..... All		1	MARINE.OHK02
GASKETS				
RUBBER COMPONENTS				
METAL CLAD SEALS				
150A	Seal, Pump (52mm OD)..... All		1	MARINE.MCS01
MOULDED PISTONS				
SEALING RINGS				
FRICTION PLATES				
250A	Forward Clutch (Sintered)..... All		5-7	MARINE.FRP01
251A	Reverse Brake (Sintered) All		1-3	MARINE.FRP02
STEEL PLATES				
300A	Forward Clutch..... All		4-6	MARINE.STP01
301A	Reverse Brake All		0-2	MARINE.STP02
PRESSURE PLATES				
SPRINGS & CIRCLIPS				
FILTERS				
BUSHINGS				

ILL NO.	DESCRIPTION	YEARS	QTY	PART NO
THRUST WASHERS & BEARINGS				
ELECTRICAL COMPONENTS				
VALVE BODY PARTS				
HARD PARTS				
SPECIAL ITEMS				
TOOLS & MANUALS				