

BORG WARNER 37TB

3 SPEED FWD

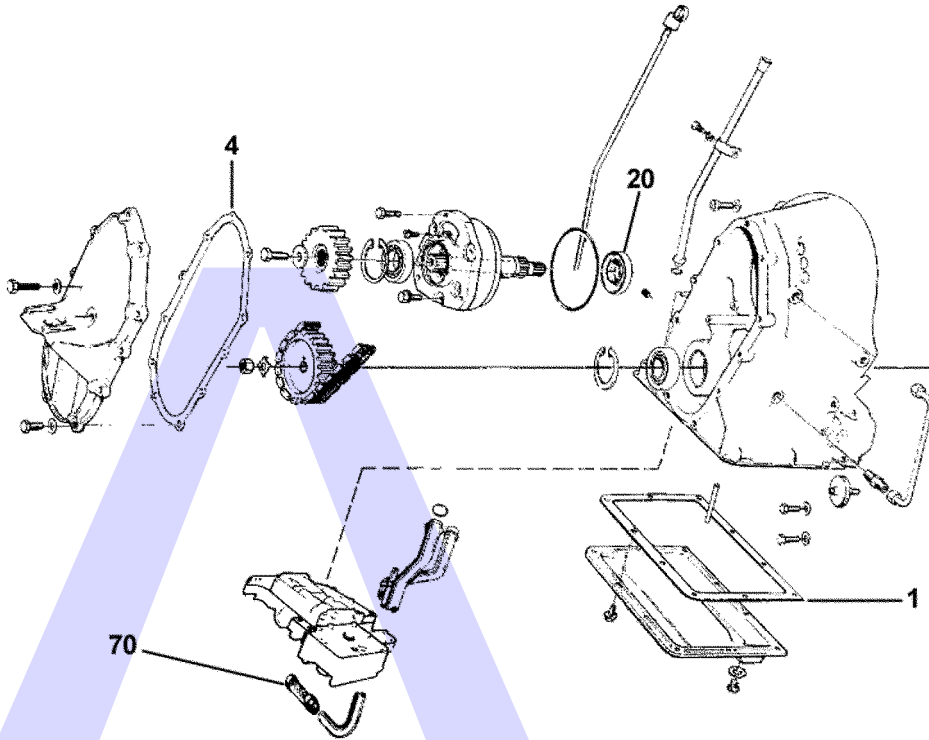


AUTOMATIC CHOICE

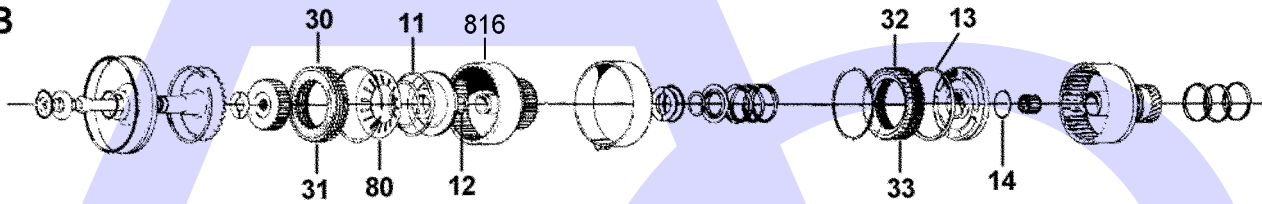


THE AUTOMATIC TRANSMISSION PARTS WAREHOUSE

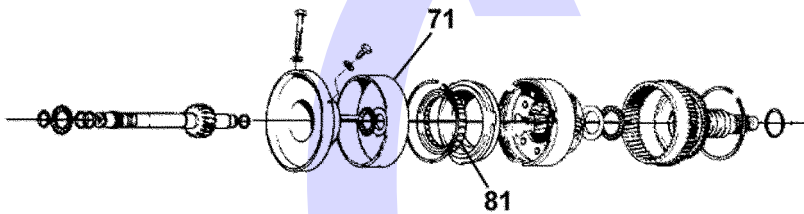
A



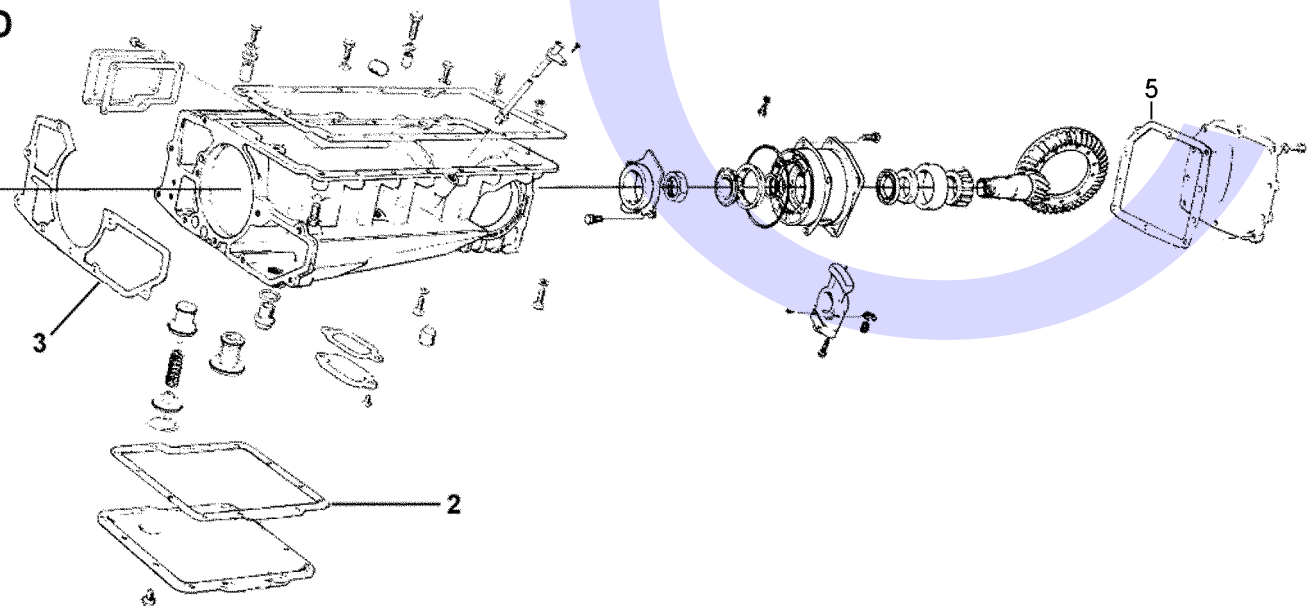
B



C



D



BORG WARNER 37TB

3 SPEED FWD



AUTOMATIC CHOICE



THE AUTOMATIC TRANSMISSION PARTS WAREHOUSE

ILL NO.	DESCRIPTION	YEARS	QTY	PART NO
KITS				
Kit	Overhaul Kit (37TB) (Precision)		1	BW37.OHK51
Kit	Gasket Kit (37TB)		1	BW37.GK01
GASKETS				
100A	Chain Cover Gasket		1	BW37.GAS04
101A	Valve Body Cover Gasket.....		1	BW37.GAS01
103D	Case to Case Gasket.....		1	BW37.GAS03
105D	Servo Cover Gasket		1	BW37.GAS02
106D	Differential Cover		1	BW37.GAS05
RUBBER COMPONENTS				
122B	Forward Clutch Outer		1	BW35.SQR02
123B	Forward Clutch Inner		1	BW35.OR01
124B	High & Reverse Clutch Outer ...		1	BW35.SQR03
125B	High & Reverse Clutch Inner ...		1	BW35.OR02
METAL CLAD SEALS				
150A	Pump Seal		1	BW37.MCS01
SEALING RINGS				
FRICTION PLATES				
Kit	Friction Plate (Alto)		1	BW35.FRK51
250B	Forward Clutch Borg Warner Grooved Heavy Duty (OEM).....		3-5	BW35.FRP02
251B	High & Reverse Borg Warner Grooved Heavy Duty (OEM).....		3-5	BW35.FRP02
STEEL PLATES				
Kit	Steel Plate (Alto).....		1	BW35.STK51
300B	Forward Flat (1.70mm)		2-4	BW35.STP01
300B	Forward Flat Oversize (2.00mm)	A.R		BW35.STP04
301B	High & Reverse Dished		3-5	BW35.STP02
301B	High & Reverse Heavy Dish		2	BW35.STP03
PRESSURE PLATES				
SPRINGS & CIRCLIPS				
410B	Diaphragm Spring Heavy Duty .		1	BW35.DIA01
FILTERS				
450A	Filter (37TB only)		1	BW37.FIL01

ILL NO.	DESCRIPTION	YEARS	QTY	PART NO
BANDS				
501C	Rear Band Rigid Heavy Duty....		1	BW35.BAN02
BUSHINGS				
THRUST WASHERS & BEARINGS				
ELECTRICAL COMPONENTS				
VALVE BODY PARTS				
HARD PARTS				
811C	One Way Clutch.....		1	BW35TA.OWC01
816B	Drum, Forward (Bearing Type) .		1	BW37.DRU01
SPECIAL ITEMS				
NI	Downshift Cable (Saab).....		1	BW37.CAB01
TOOLS & MANUALS				
NI	BW37TB ASTG Manual		1	BW37.MAN01
TORQUE CONVERTERS				
NI	Saab 900 (Non Turbo)		1	BW37.TC11
NI	Saab 900 (Turbo).....		1	BW37.TC13