

# BORG WARNER 35 & 40

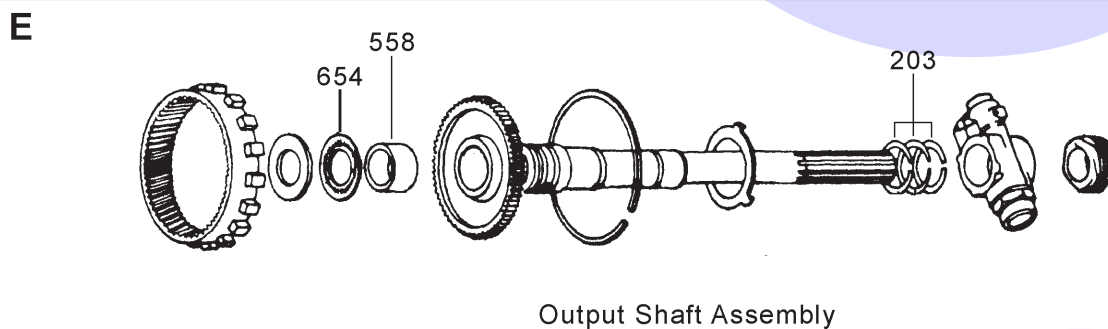
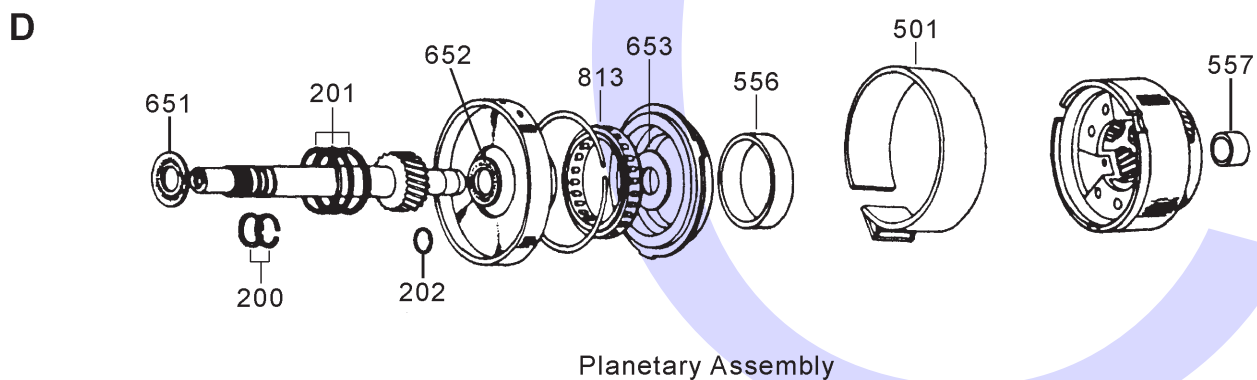
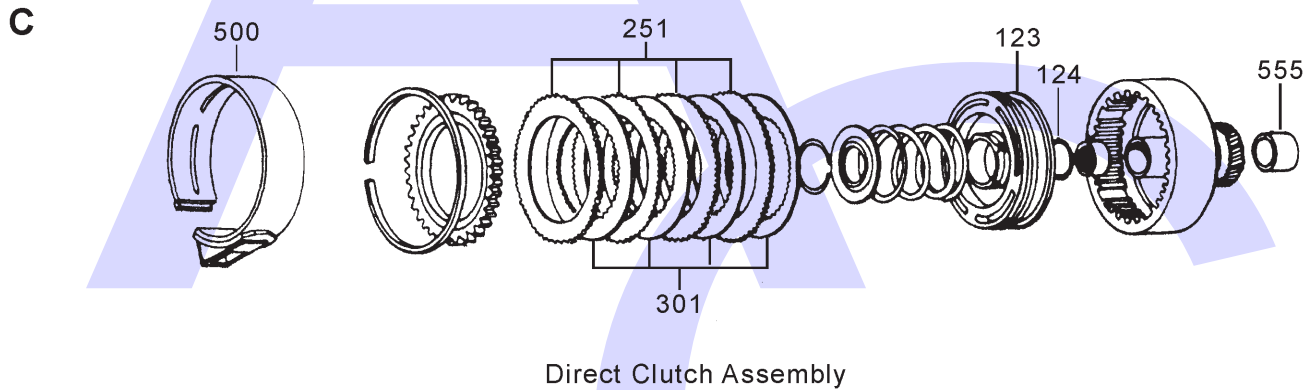
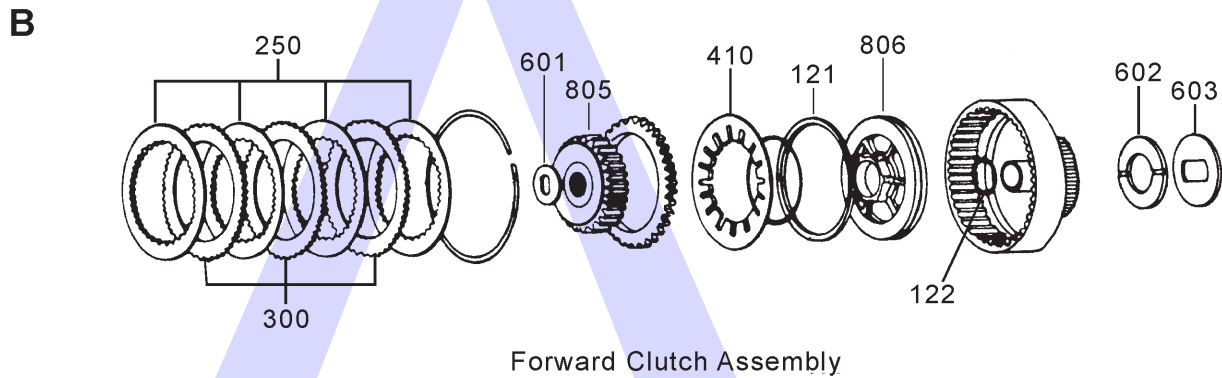
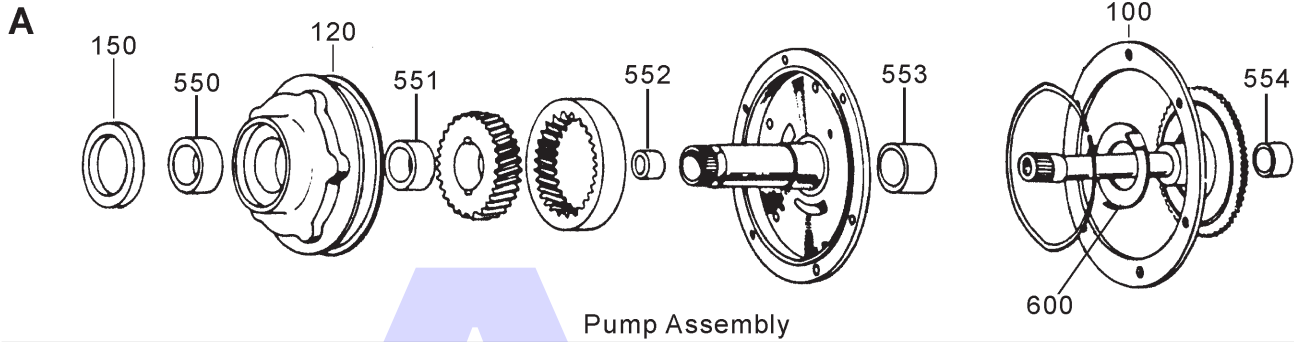
## 3 SPEED RWD



AUTOMATIC CHOICE



THE AUTOMATIC TRANSMISSION PARTS WAREHOUSE



# BORG WARNER 35 & 40

## 3 SPEED RWD

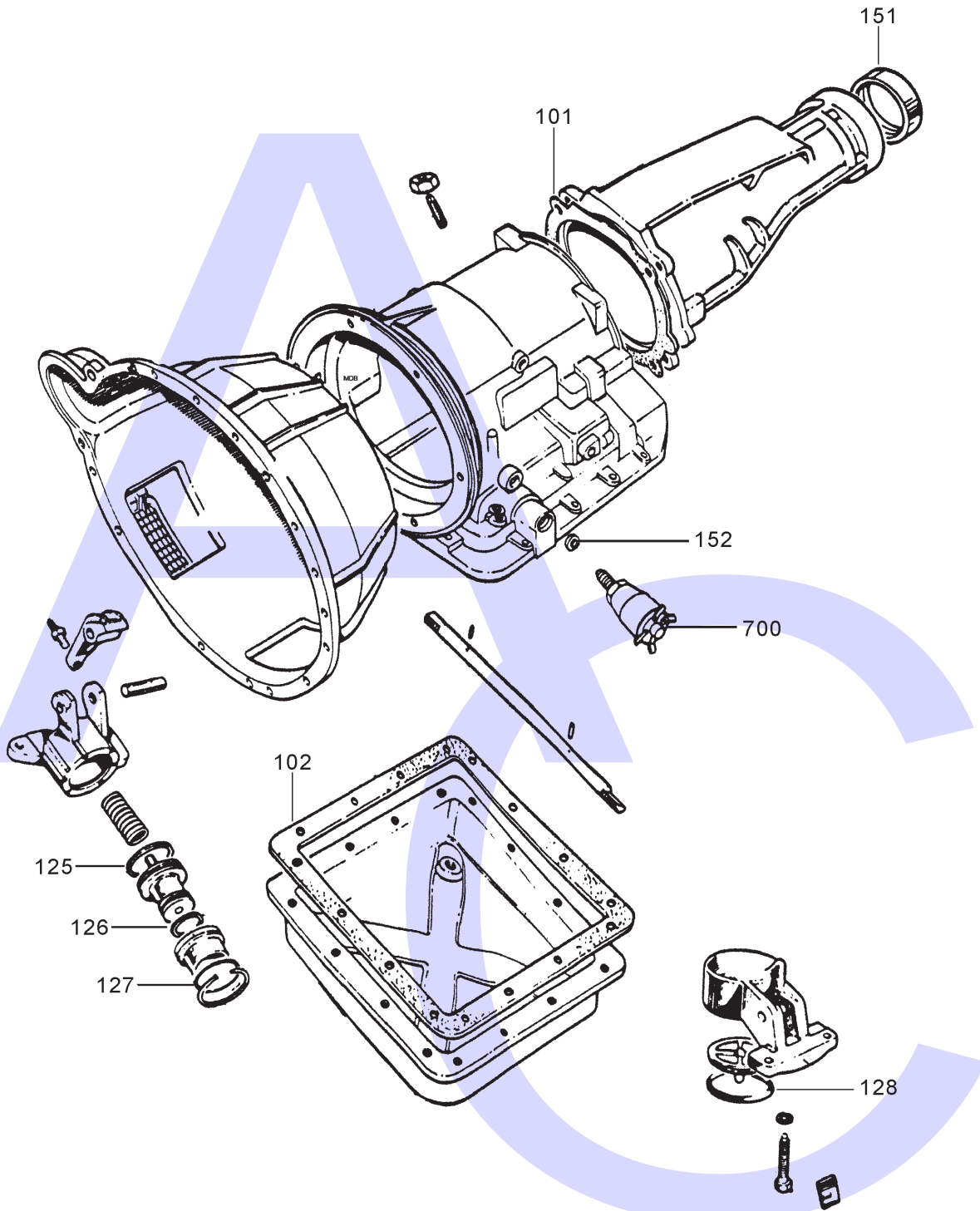


AUTOMATIC CHOICE



THE AUTOMATIC TRANSMISSION PARTS WAREHOUSE

F



Casing, Servo's, Oil Pan Etc

# BORG WARNER 35 & 40

## 3 SPEED RWD



AUTOMATIC CHOICE



THE AUTOMATIC TRANSMISSION PARTS WAREHOUSE

ILL NO.	DESCRIPTION	YEARS	QTY	PART NO
<b>KITS</b>				
Kit	Overhaul Kit All BW35 (Transtec).....		1	<b>BW35.OHK01</b>
Kit	Overhaul Kit All BW35 (Precision).....		1	<b>BW35.OHK51</b>
Kit	Overhaul Kit All BW40 (Transtec).....		1	<b>BW40.OHK01</b>
Kit	Gasket All BW35.....		1	<b>BW35.GK01</b>
Kit	Gasket & Rubber Kit All BW35..		1	<b>BW35.GSK01</b>
Kit	Gasket & Rubber Kit All BW40..		1	<b>BW40.GSK01</b>
<b>GASKETS</b>				
102F	Pan Gasket (Cork).....		1	<b>BW35.GAS01</b>
102F	Pan Gasket (Paper) <b>Use BW35.GAS01</b>		1	<b>NLA</b>
102F	Pan Gasket (Farpak®) <b>Use BW35.GAS01</b>		1	<b>NLA</b>
100A	Front Pump.....		1	<b>BW35.GAS03</b>
101F	Extension Housing (5/16).....		1	<b>BW35.GAS04</b>
101F	Extension Housing (7/16).....		1	<b>BW35.GAS05</b>
NI	Filter.....		1	<b>BW35.GAS06</b>
NI	Kickdown Cable (Screw in).....		1	<b>BW35.GAS07</b>
NI	Taxi Sender Gasket.....		1	<b>BW35.GAS08</b>
<b>RUBBER COMPONENTS</b>				
120A	Pump O Ring.....		1	<b>BW35.SQR01</b>
121B	Forward Clutch Outer.....		1	<b>BW35.SQR02</b>
122B	Forward Clutch Inner (BW35) ...		1	<b>BW35.OR01</b>
122B	Forward Clutch Inner (BW40/51).....		1	<b>BW40.OR01</b>
123C	High & Reverse Clutch Outer....		1	<b>BW35.SQR03</b>
124C	High & Reverse Clutch Inner ...		1	<b>BW35.OR02</b>
125F	Front Servo Piston Inner Small		1	<b>BW35.OR06</b>
125F	Front Servo Piston Inner Large		1	<b>BW35.OR07</b>
126F	Front Servo Piston Outer Small		1	<b>BW35.OR03</b>
126F	Front Servo Piston Outer Medium		1	<b>BW35.OR04</b>
126F	Front Servo Piston Outer Large		1	<b>BW35.OR05</b>
127F	Front Servo Cover Small.....		1	<b>BW35.OR03</b>
127F	Front Servo Cover Medium.....		1	<b>BW35.OR04</b>
127F	Front Servo Cover Large.....		1	<b>BW35.OR05</b>
127F	Front Servo Cover Early Lathe Cut Type		1	<b>BW35.SQR04</b>
128F	Rear Servo O Ring.....		1	<b>BW35.OR08</b>
NI	Pump Pick-up O Ring.....		1	<b>BW35.OR09</b>
<b>METAL CLAD SEALS</b>				
150A	Front Pump.....		1	<b>BW35.MCS01</b>
150A	Front Pump (Thin Type).....		1	<b>BW37.MCS01</b>
151F	Extension Housing (1.950" O.D.).....		1	<b>BW35.MCS02</b>
151F	Extension Housing (1.715" O.D.).....		1	<b>BW35.MCS03</b>
152F	Selector Shaft.....		1-2	<b>BW35.MCS04</b>
<b>SEALING RINGS</b>				
Kit	Sealing Ring Kit All BW35.....		1	<b>BW35.SRK01</b>
200D	Sungear Front Metal BW35 ..		2	<b>BW35.SSR05</b>
200D	Sungear Front Teflon BW35....		2	<b>BW35.SSR02</b>
201D	High & Reverse Clutch Drum....		3	<b>BW35.SSR01</b>
202D	Sungear Rear Teflon All.....		1	<b>BW35.SSR03</b>
203E	Output Shaft (Governor).....		3	<b>BW35.SSR04</b>

ILL NO.	DESCRIPTION	YEARS	QTY	PART NO
<b>FRICTION PLATES</b>				
Kit	Friction Plate (Alto).....		1	<b>BW35.FRK51</b>
250B	Forward Clutch Borg Warner Grooved Heavy Duty (OEM).....		3-5	<b>BW35.FRP02</b>
251C	High & Reverse Borg Warner Grooved Heavy Duty (OEM).....		3-5	<b>BW35.FRP02</b>
<b>STEEL PLATES</b>				
Kit	Steel Plate (Alto).....		1	<b>BW35.STK51</b>
300B	Forward Flat (1.70mm).....		2-4	<b>BW35.STP01</b>
300B	Forward Flat Oversize (2.00mm).....		A.R	<b>BW35.STP04</b>
301C	High & Reverse Dished.....		3-5	<b>BW35.STP02</b>
<b>PRESSURE PLATES</b>				
<b>SPRINGS &amp; CIRCLIPS</b>				
410B	Diaphragm Spring Heavy Duty .		1	<b>BW35.DIA01</b>
<b>FILTERS</b>				
Kit	Filter Kit BW40.....		1	<b>BW40.FILKIT01</b>
NI	Filter Flat Type.....		1	<b>BW35.FIL01</b>
NI	Filter Scoop Type.....		1	<b>BW35.FIL02</b>
<b>BANDS</b>				
500C	Front Band Flexible.....		1	<b>BW35.BAN01</b>
500C	Front Band, USA 'T' Models (46mm Wide).....		1	<b>BW35.BAN03</b>
500C	Front Band, Rigid Grooved (Reline).....		1	<b>BW35.BAN04</b>
501D	Rear Band Rigid Heavy Duty....		1	<b>BW35.BAN02</b>
<b>BUSHINGS</b>				
Kit	Bush Kit, Without Case Bushing		1	<b>BW35.BK01</b>
Kit	Bush Kit, Without Rear Stator Bushing.....		1	<b>BW35.BK02</b>
550A	Front Pump BW35.....		1	<b>BW35.BUS01</b>
551A	Pump Gear.....		1	<b>BW35.BUS02</b>
552A	Stator Front 22-23 Spline.....		1	<b>BW35.BUS03</b>
553A	Stator Rear (No Groove).....		1	<b>BW35.BUS04</b>
554A	Input Shaft BW35/40.....		1	<b>BW35.BUS05</b>
555C	High Clutch Drum Bush BW35..		1	<b>BW35.BUS08</b>
557D	Planet.....		1	<b>BW35.BUS08</b>
558E	Output Shaft (Grooved).....		1	<b>BW35.BUS09</b>
NI	Case (No Groove) BW35/40.....		1	<b>BW35.BUS10</b>
NI	Extension Housing (Babbit With Hole)		1	<b>BW35.BUS11</b>
NI	Rover 2000/2200 Crankshaft Pilot		1	<b>BW35.BUS12</b>

# BORG WARNER 35 & 40

## 3 SPEED RWD



AUTOMATIC CHOICE



THE AUTOMATIC TRANSMISSION PARTS WAREHOUSE

ILL NO.	DESCRIPTION	YEARS	QTY	PART NO
<b>THRUST WASHERS &amp; BEARINGS</b>				
600A	Thrust Washer Input Shaft to Pump		1	BW35.THR01
601B	Thrust Washer Forward Clutch Hub		1	BW35.THR02
602B	Thrust Washer Forward Clutch to Top & Reverse Clutch (Bronze)		1	BW35.THR03
603B	Thrust Washer Forward Clutch to Top & Reverse Clutch (Steel)....		1	BW35.THR04
651D	Sungear Needle Bearing (1.55mm).....		2	BW35.TOR01
652D	Sungear Needle Bearing (3.13mm).....		1	BW35.TOR02
653D	Needle Roller Race, Sun Gear Early Type (39.7mm x 22.7mm x 3.8mm) ...		1	BW35.THR05
653D	Needle Roller Race, Sun Gear Late Type (39.7mm x 24.5mm x 3.4mm) ...		1	BW35.THR06
654E	Planetary Needle Bearing 1.55mm		1	BW35.TOR03
<b>ELECTRICAL COMPONENTS</b>				
700F	Inhibitor Switch .....		1	BW35.ELE01
<b>VALVE BODY PARTS</b>				
<b>HARD PARTS</b>				
805B	Forward Clutch Hub BW35 .....		1	BW35.HUB01
806B	Forward Clutch BW35.....		1	BW35.PIS01
806B	Forward Clutch BW40/51.....		1	BW40.PIS01
813D	One Way Clutch (Sprag) (30 Cam).....		1	BW35.OWC01
NI	Parking Pawl..... All		1	BW35.RET01
<b>SPECIAL ITEMS</b>				
NI	Rover 2000 Drive Plate H/D.....		1	BW35.FP01
NI	Downshift Cable (Box Code & Vehicle Details Required)..... All		1	BW35.CABxx
<b>TOOLS &amp; MANUALS</b>				

ILL NO.	DESCRIPTION	YEARS	QTY	PART NO
---------	-------------	-------	-----	---------