

# TOYOTA U240E & U241E

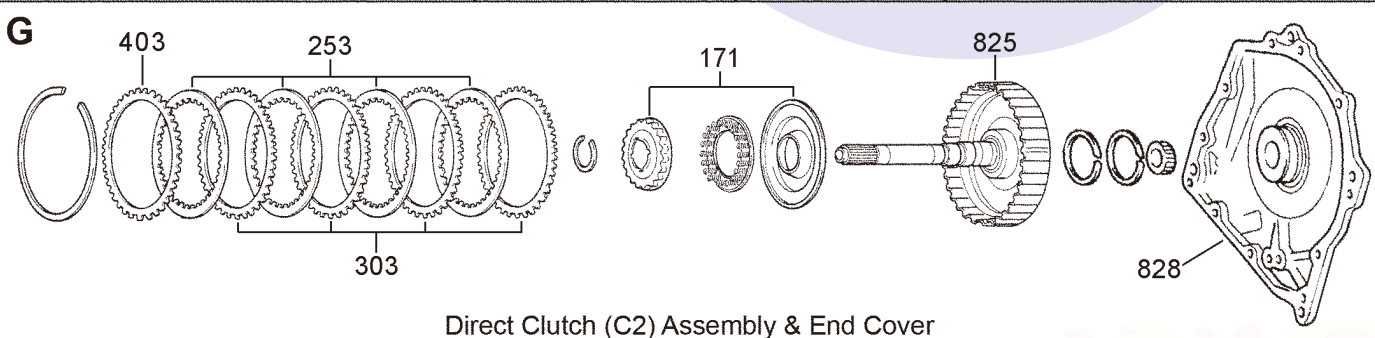
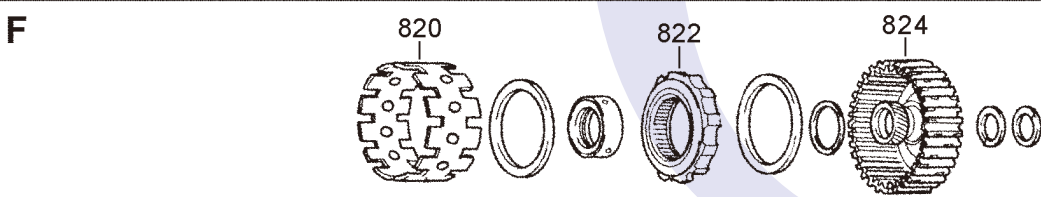
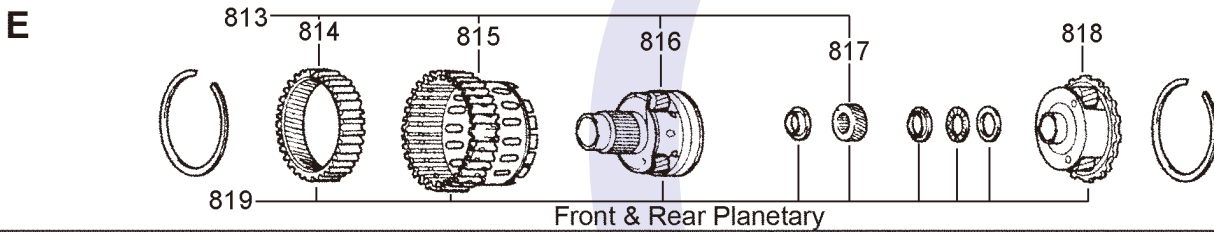
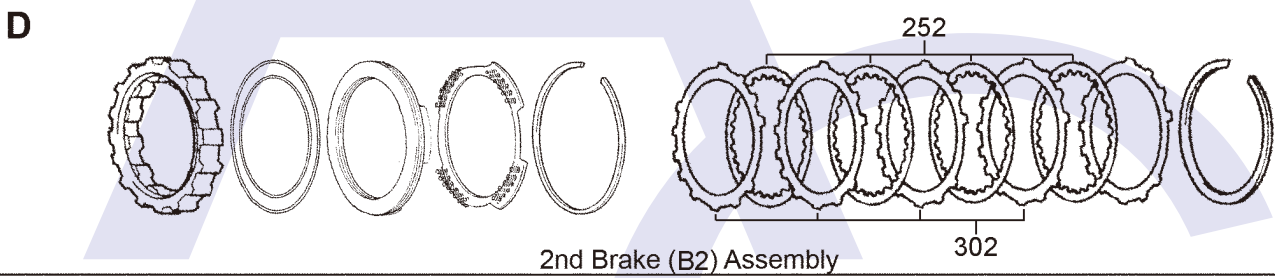
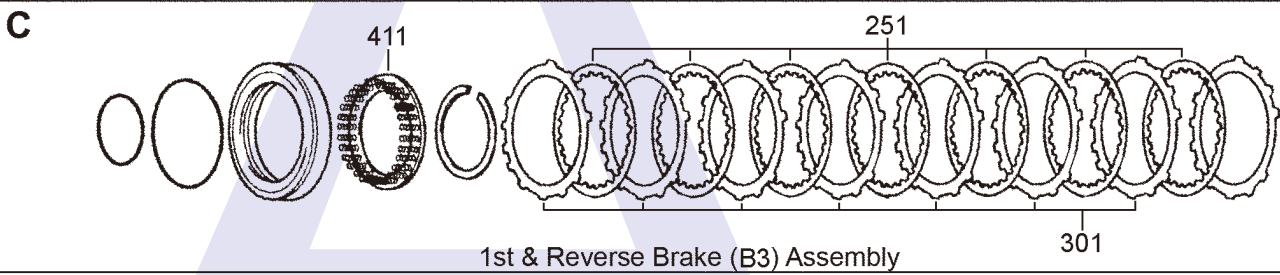
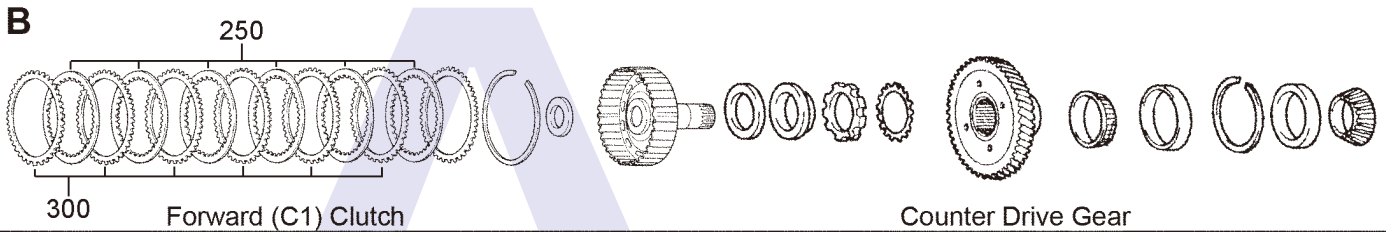
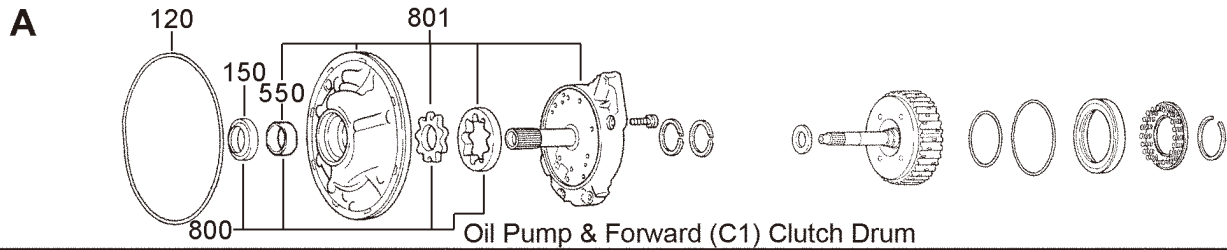
## 4 SPEED FWD (Electronic Control)



AUTOMATIC CHOICE



THE AUTOMATIC TRANSMISSION PARTS WAREHOUSE



# TOYOTA U240E & U241E

## 4 SPEED FWD (Electronic Control)

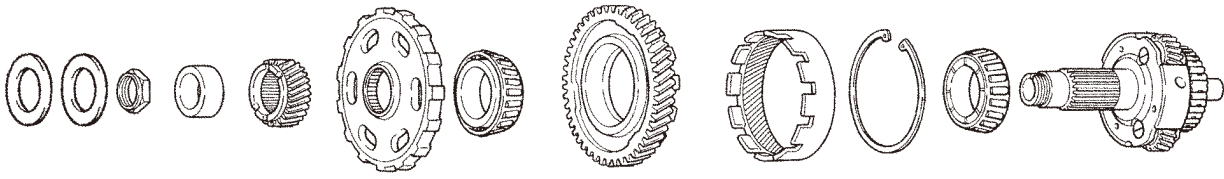


AUTOMATIC CHOICE



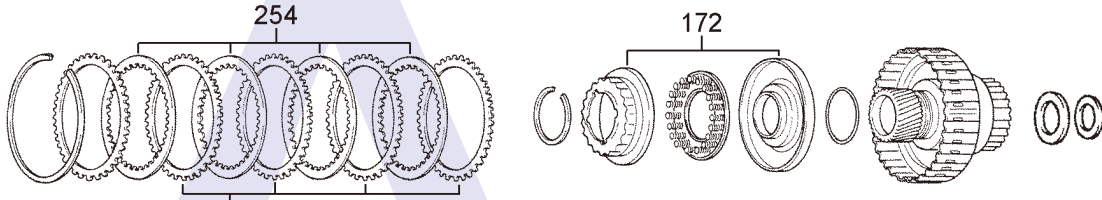
THE AUTOMATIC TRANSMISSION PARTS WAREHOUSE

H



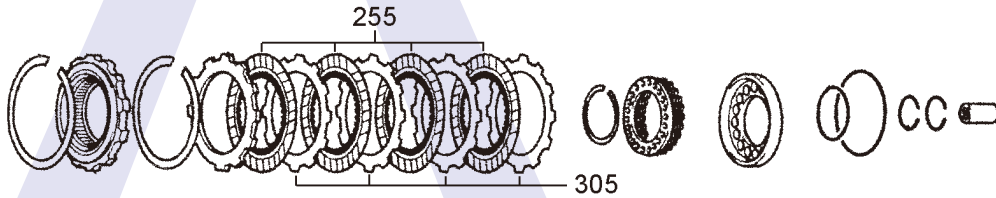
Underdrive Planetary Assembly

J



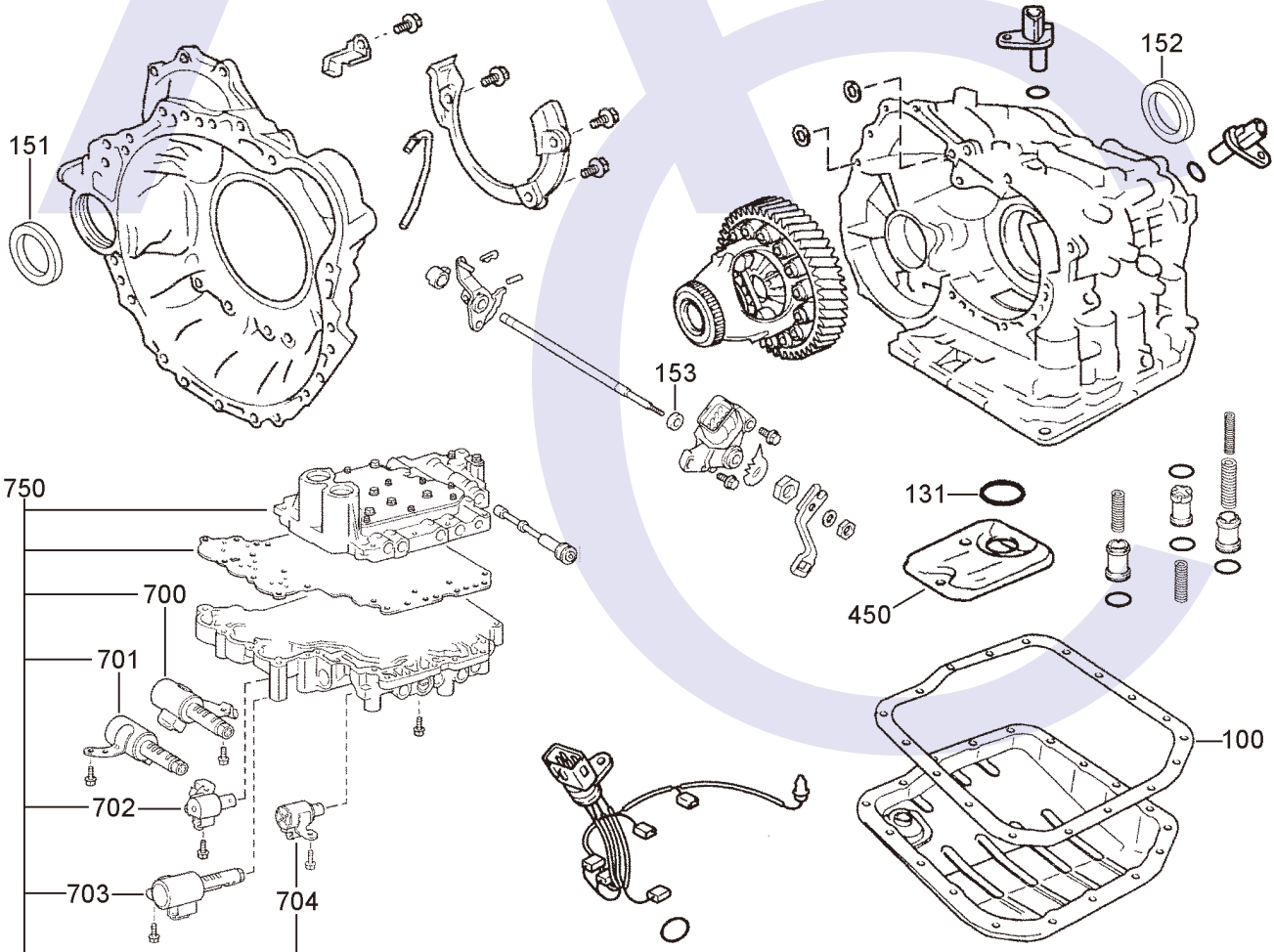
Underdrive Clutch (No.1) Assembly

K



No.2 One-Way-Clutch (F2) & Underdrive Clutch (No.2) Assembly

L



Maincase, Differential, Valve Body & Related Components

# TOYOTA U240E & U241E

## 4 SPEED FWD (Electronic Control)



AUTOMATIC CHOICE



THE AUTOMATIC TRANSMISSION PARTS WAREHOUSE

ILL NO.	DESCRIPTION	YEARS	QTY	PART NO
<b>KITS</b>				
Kit	Overhaul (Transtec®) (With Pistons).....	00-ON	1	<b>U240.OHK01</b>
Kit	Overhaul (Transtec®) (Without Pistons).....	00-ON	1	<b>U240.OHK02</b>
Kit	Overhaul (Precision™) (With Pistons).....	00-ON	1	<b>U240.OHK51</b>
Kit	Overhaul (Precision™) (U240E, Without Pistons).....	00-ON	1	<b>U140.OHK52</b>
<b>GASKETS</b>				
100L	Oil Pan (Cork) .....	00-ON	1	<b>U140.GAS01</b>
100L	Oil Pan (Fibre).....	00-ON	1	<b>U140.GAS02</b>
<b>RUBBER COMPONENTS</b>				
120A	'O' Ring, Pump to Converter Housing.....	00-ON	1	<b>U140.OR01</b>
131L	'O' Ring, Filter to V. Body .....	00-ON	1	<b>U140.OR02</b>
<b>METAL CLAD SEALS</b>				
150A	Torque Converter/Pump.....	00-ON	1	<b>BW55.MCS01</b>
151L	Drive Shaft R/Hand Some Applications (64mm x 41mm x 9mm) .....	00-ON	1	<b>U240.MCS02</b>
151L	Drive Shaft R/Hand Some Applications (55.40mm x 33.50mm x 9mm) ..	00-ON	1	<b>A140.MCS02</b>
152L	Drive Shaft L/Hand Some Applications (68mm x 51mm x 9mm) .....	00-ON	1	<b>U240.MCS03</b>
152L	Drive Shaft L/Hand Some Applications (55.40mm x 33.50mm x 9mm) ..	00-ON	1	<b>A140.MCS02</b>
153L	Manual Shaft Seal.....	00-ON	1	<b>A130.MCS03</b>
<b>MOULDED PISTONS</b>				
NI	Forward 'C1' Piston Set .....	00-ON	1	<b>U140.PIS01</b>
171G	Direct 'C2' Piston Set .....	00-ON	1	<b>U140.PIS03</b>
172J	Underdrive 'C3' Piston Set.....	00-ON	1	<b>U240.PIS02</b>
<b>SEALING RINGS</b>				
Kit	Sealing Ring (Transtec®).....	00-ON	1	<b>U140.SRK01</b>
<b>FRICTION PLATES</b>				
Kit	Friction Plate (Alto) .....	00-ON	1	<b>U240.FRK51</b>
250B	Forward (C1) Clutch (137mm OD x 1.80mm x 40T) ..	00-ON	6	<b>U140.FRP01</b>
251C	1st & Reverse (B3) Brake (162mm OD x 1.80mm x 40T) ..	00-ON	5-7	<b>U140.FRP02</b>
252D	2nd (B2) Brake (170mm OD x 1.80mm x 40T) ..	00-ON	3-4	<b>U140.FRP03</b>
253G	Direct (C2) Clutch (157mm OD x 1.80mm x 40T) ..	00-ON	4	<b>U140.FRP04</b>
254J	Underdrive (No.1) Clutch (114mm OD x 1.80mm x 40T)...	00-ON	3-4	<b>U240.FRP05</b>
255K	Underdrive (No.2) Clutch (112mm OD x 1.80mm x 28T)...	00-ON	3-4	<b>U240.FRP06</b>

ILL NO.	DESCRIPTION	YEARS	QTY	PART NO
<b>STEEL PLATES</b>				
Kit	Steel Plate (Alto).....	00-ON	1	<b>U240.STK51</b>
300B	Forward (C1) Clutch (114mm ID x 1.80mm x 40T) ....	00-ON	6	<b>U140.STP01</b>
301C	1st & Reverse (B3) Brake (143mm ID x 1.80mm x 12T) ....	00-ON	7	<b>U140.STP02</b>
301C	1st & Reverse (B3) Brake (Alto) (143mm ID x 1.80mm x 12T) ....	00-ON	7	<b>U140.STP07</b>
302D	2nd (B2) Brake (143mm ID x 2.00mm x 12T) ....	00-ON	4	<b>U140.STP03</b>
302D	2nd (B2) Brake (Alto) (143mm ID x 2.00mm x 12T) ....	00-ON	4	<b>U140.STP08</b>
303G	Direct (C2) Clutch (141mm ID x 3.00mm x 40T) ....	00-ON	4	<b>U140.STP04</b>
304J	Underdrive (No.1) Clutch (90mm ID x 2.00mm x 40T) .....	00-ON	3-4	<b>U240.STP05</b>
305K	Underdrive (No.2) Clutch (89mm ID x 1.80mm x 11T) .....	00-ON	3-4	<b>U240.STP06</b>
<b>PRESSURE PLATES</b>				
403G	Direct Clutch (3.00mm Thick) .....	00-ON	AR	<b>U140.PP01</b>
	(3.10mm Thick) .....	00-ON	AR	<b>U140.PP02</b>
	(3.20mm Thick) .....	00-ON	AR	<b>U140.PP03</b>
	(3.30mm Thick) .....	00-ON	AR	<b>U140.PP04</b>
	(3.40mm Thick) .....	00-ON	AR	<b>U140.PP05</b>
	(3.50mm Thick) .....	00-ON	AR	<b>U140.PP06</b>
	(3.60mm Thick) .....	00-ON	AR	<b>U140.PP07</b>
<b>SPRINGS &amp; CIRCLIPS</b>				
411C	Return Spring Set (Low & Reverse Brake).....	00-ON	1	<b>U240.SSPR01</b>
<b>FILTERS</b>				
450L	Pan Filter (U240/U241E/F) (Camry 05-06, RAV4 01-12.....)	00-ON	1	<b>U140.FIL01</b>
450L	Pan Filter (U240 Metal).....	00-ON	1	<b>U140.FIL03</b>
<b>BANDS</b>				
<b>BUSHINGS</b>				
550A	Pump Body .....	00-ON	1	<b>BW55.BUS01</b>
<b>THRUST WASHERS &amp; BEARINGS</b>				

# TOYOTA U240E & U241E

## 4 SPEED FWD (Electronic Control)



AUTOMATIC CHOICE



THE AUTOMATIC TRANSMISSION PARTS WAREHOUSE

ILL NO.	DESCRIPTION	YEARS	QTY	PART NO
<b>ELECTRICAL COMPONENTS</b>				
700L	Line Pressure Control Solenoid (SLT) (White Connector).....	00-ON	1	<b>U140.SOL05</b>
701L	Clutch Control Solenoid No.1 (SL1) (White Connector) (SSA) .....	00-ON	1	<b>U140.SOL01</b>
702L	Lock-Up Control Solenoid (DSL) (Brown Connector) (SSE) .....	00-ON	1	<b>U140.SOL04</b>
703L	Clutch Control Solenoid No.2 (SL2) (Neutral Connector) (SSB).....	00-ON	1	<b>U140.SOL02</b>
704L	Solenoid 3-Way (S4) (Black Connector) (SSD) .....	00-ON	1	<b>U140.SOL03</b>
<b>VALVE BODY PARTS</b>				
750L	Valve Body Remanufactured (Without Central Lube Hole) ( <a href="#">Click here for Info</a> ) .....	98-05	1	<b>U140.VB01</b>
750L	Valve Body Remanufactured (With Central Lube Hole) ( <a href="#">Click here for Info</a> ) .....	98-05	1	<b>U140.VB02</b>
750L	Valve Body Remanufactured (With Central Lube Hole) ( <a href="#">Click here for Info</a> ) .....	06-12	1	<b>U140.VB04</b>
Kit	Boost Valve & Sleeve Kit (Sonnax® <a href="#">Click for Info</a> ).....	00-ON	1	<b>U240.VA01</b>
Kit	Lock Up Control Plunger Valve & Sleeve Kit (Sonnax® <a href="#">Click here for Info</a> ) ...	00-ON	1	<b>U240.VA02</b>
Kit	Clutch Apply Control Plunger Valve & Sleeve Kit (Sonnax® <a href="#">Click here for Info</a> ) ...	00-ON	1	<b>U240.VA03</b>
Kit	Solenoid Modulator Valve Kit (Requires U240.VA05 Toolkit & Valve Body Fixture AG4.VB05) (Sonnax® <a href="#">Click here for Info</a> ) ...	00-ON	1	<b>U240.VA04</b>
Kit	Reaming Tool for U240.VA05 (Sonnax®).....	00-ON	1	<b>U240.VA05</b>
Kit	Oversize Pressure Regulator & Boost Valve Kit (Requires Tool Kit U140.VA02) (Sonnax® <a href="#">Click here for Info</a> ) ...	00-ON	1	<b>U140.VA01</b>
Kit	Toolkit for U140.VA01 .....	00-ON	1	<b>U140.VA02</b>
Kit	Oversize Secondary Regulator Valve Kit (Requires Tool Kit U150.VA04) (Sonnax® <a href="#">Click here for Info</a> ) ...	00-ON	1	<b>U150.VA03</b>
Kit	Tool Kit for U150.VA03).....	00-ON	1	<b>U150.VA04</b>
Kit	Zip Kit, Cures Multiple Complaints (Sonnax® <a href="#">Click here for Info</a> ) ...	00-ON	1	<b>U140.ZIP01</b>
Kit	'O' Ringed End Plug Kit (Sonnax® <a href="#">Click here for Info</a> ) ...	00-ON	1	<b>U140.VA04</b>
Kit	Accumulator Piston Kit (Sonnax® <a href="#">Click here for Info</a> ) ...	03-ON	1	<b>U140.VA03</b>
<a href="#">Vacuum Test Point Locations (Sonnax®)</a>				
<b>HARD PARTS</b>				
800A	Pump Body & Gears (OEM) ( <b>U240E</b> ).....	98-ON	1	<b>U140.PUM01</b>
801A	Pump Complete (Used) ( <b>U240E</b> , Gear Type With Crescent) .	98-ON	1	<b>U140.PUM31</b>
801A	Pump Complete (Used) ( <b>U241E</b> , No Crescent Non Vented)	98-ON	1	<b>U140.PUM33</b>
813E	Front Planet Kit .....	00-ON	1	<b>U240.PLK02</b>
814E	Annulus Gear (Front Planetary)	00-ON	1	<b>U240.PL01</b>

ILL NO.	DESCRIPTION	YEARS	QTY	PART NO
<b>HARD PARTS Cont...</b>				
815E	Hub, Low & Reverse Brake (Gear set Shell).....	00-ON	1	<b>U240.PL02</b>
816E	Front Planetary (Without Bush) .....	00-ON	1	<b>U240.PL03</b>
817E	Front Sun Gear .....	00-ON	1	<b>U240.SUN01</b>
818E	Rear Planetary .....	00-ON	1	<b>U240.PL04</b>
819E	Planet Kit, (With Bush Type in Rear Planet) .	00-ON	1	<b>U240.PLK01</b>
820F	Reaction Shell, (12 Lug) .....	00-ON	1	<b>U140.HUB01</b>
822F	One Way Clutch, Direct (28 Element) .....	98-ON	1	<b>U240.OWC01</b>
824F	Rear Planetary Sun Gear (OEM) (Fits UK Spec & Some Imports Need VIN Number to Confirm)..	00-ON	1	<b>U240.SUN02</b>
824F	Rear Planetary Sun Gear (OEM) (Fits Imports Need VIN Number to Confirm) .....	00-ON	1	<b>U240.SUN03</b>
824F	Rear Planetary Sun Gear (AM) (Fits Imports Need VIN Number to Confirm) .....	00-ON	1	<b>U140.HUB02</b>
825G	'C2' Clutch Drum, Direct (3 Plate) .....	00-ON	1	<b>U240.DRU01</b>
828G	End Cover (Rebuilt) .....	00-ON	1	<b>U240.COV31</b>
<b>SPECIAL ITEMS</b>				
<b>TOOLS &amp; MANUALS</b>				
NI	Rebuild Manual (U241E OEM) .	2000-ON		<b>U240.MAN01</b>
NI	U140E/F/U240 Repair Manual (Combi Toyota/Lexus).....	98-ON		<b>U140.MAN03</b>