

K410 (Toyota Belta, Ractis, Vitz), XA-10LN (Suzuki) CVT FWD (Electronic Control with Converter)

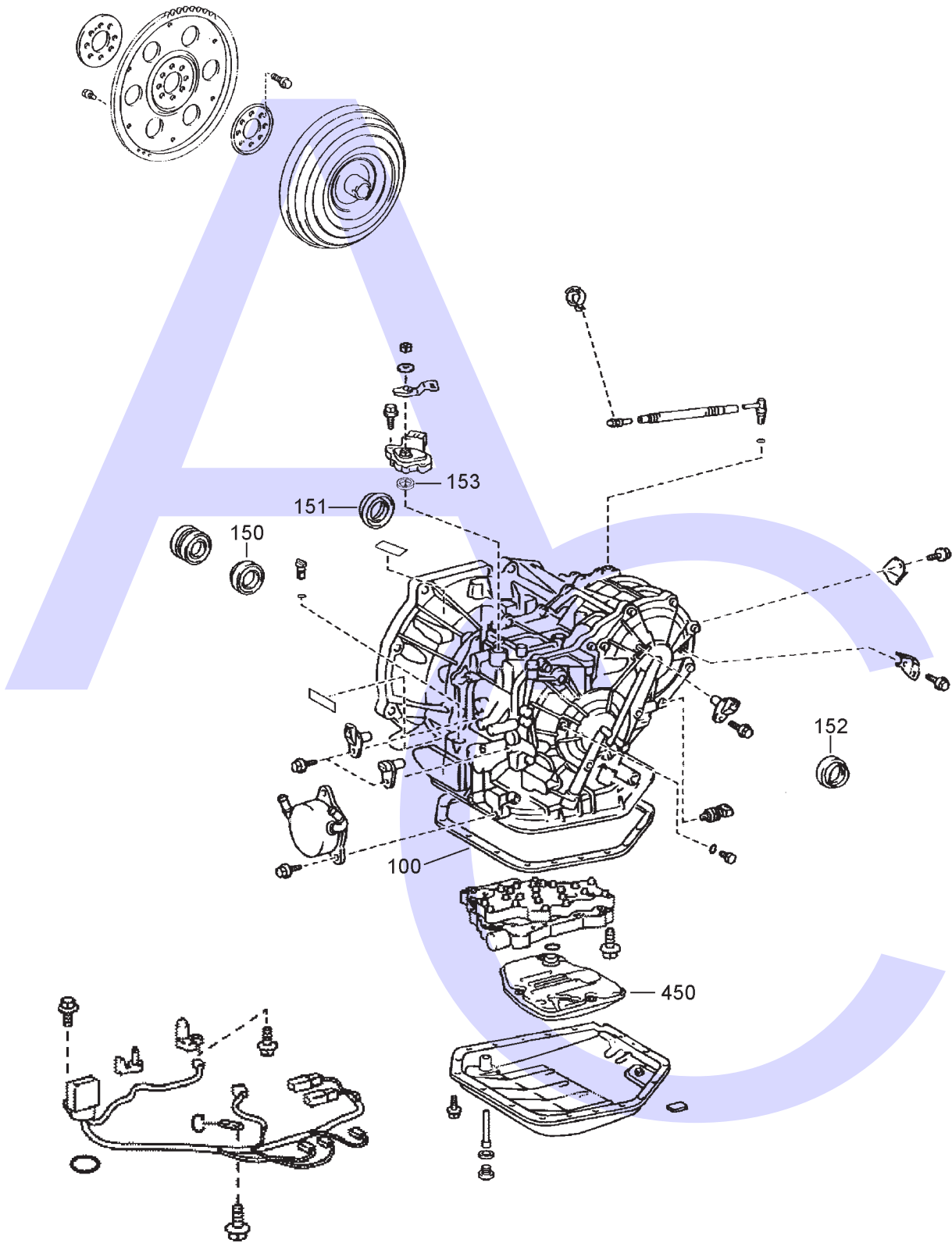


AUTOMATIC CHOICE



THE AUTOMATIC TRANSMISSION PARTS WAREHOUSE

A



K410 (Toyota Belta, Ractis, Vitz), XA-10LN (Suzuki) CVT FWD (Electronic Control with Converter)

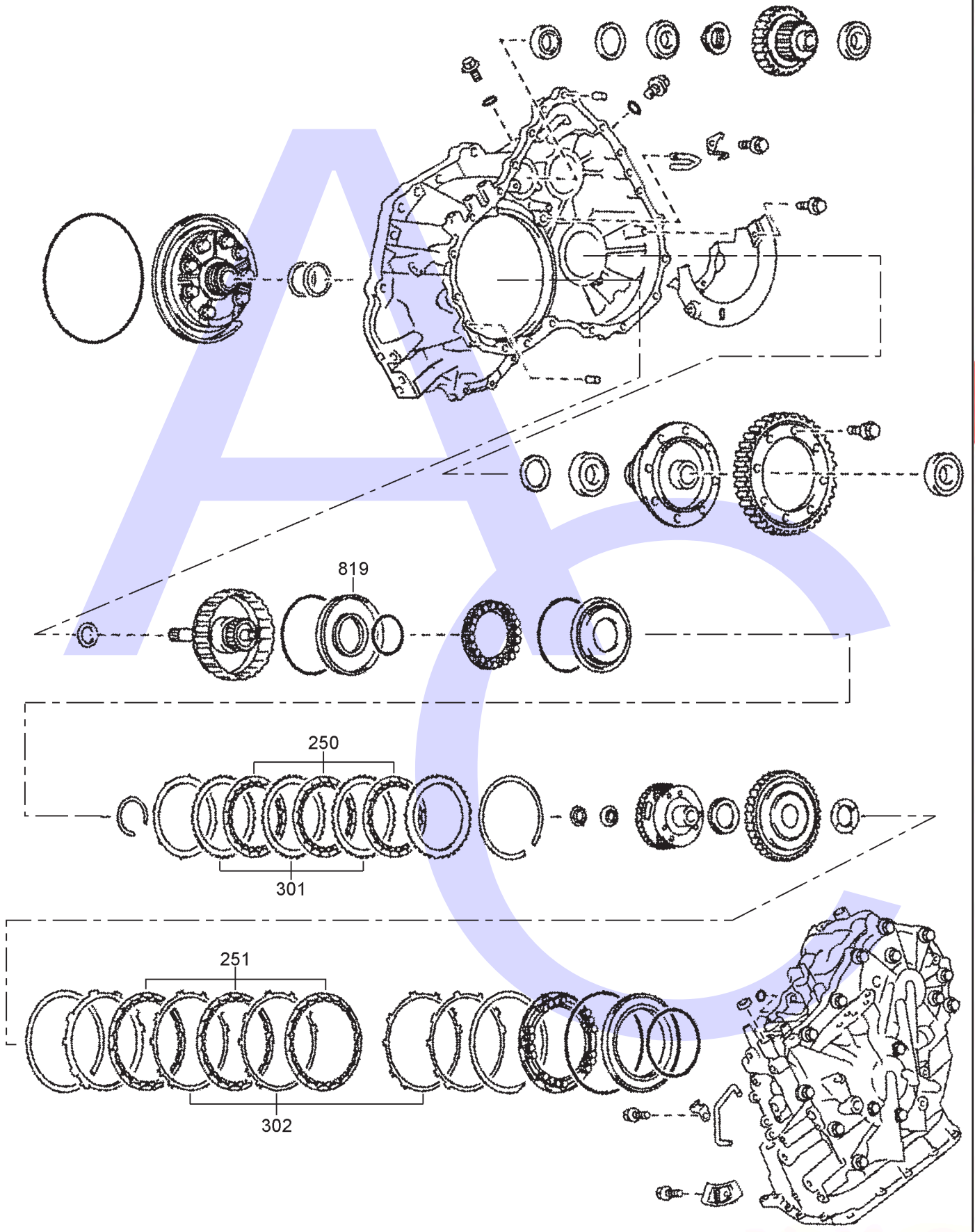


AUTOMATIC CHOICE



THE AUTOMATIC TRANSMISSION PARTS WAREHOUSE

B



K410 (Toyota Belta, Ractis, Vitz), XA-10LN (Suzuki) CVT FWD (Electronic Control with Converter)



AUTOMATIC CHOICE



THE AUTOMATIC TRANSMISSION PARTS WAREHOUSE

ILL NO.	DESCRIPTION	YEARS	QTY	PART NO
KITS				
Kit	Overhaul Kit (Transtec®) With Pistons	05-ON	1	K410.OHK01
Kit	Overhaul Kit (Transtec®) Without Pistons	05-ON	1	K410.OHK02
Kit	Valve Body Gasket Kit	05-ON	1	K410.GK01
GASKETS				
100A	Oil Pan	05-ON	1	K210.GAS01
RUBBER COMPONENTS				
METAL CLAD SEALS				
150A	Oil Pump to Converter	05-ON	1	K410.MCS01
151A	Drive Shaft Right Hand	05-ON	1	K410.MCS02
152A	Drive Shaft Left Hand	05-ON	1	K410.MCS03
153A	Selector Shaft	05-ON	1	A130.MCS03
MOULDED PISTONS				
Kit	Moulded Piston (Transtec®)	05-ON	1	K410.PISKIT01
SEALING RINGS				
Kit	Sealing Ring (Transtec®)	05-ON	1	K410.SRK01
FRICTION PLATES				
250B	Forward Clutch (112mm OD x 1.50mm x 40T) ...	05-ON	3-4	K410.FRP01
251B	Reverse Brake (126mm OD x 1.50mm x 40T) ..	05-ON	3-4	K410.FRP02
STEEL PLATES				
301B	Forward Clutch (95.4mm iD x 1.80mm x 24T) ...	05-ON	3-4	K410.STP01
302B	Reverse Brake (112.4mm ID x 1.80mm x 8T) ...	05-ON	3-4	K410.STP02
PRESSURE PLATES				
SPRINGS & CIRCLIPS				

ILL NO.	DESCRIPTION	YEARS	QTY	PART NO
FILTERS				
450A	Pick Up Filter (Suzuki Swift 3 Blt Fixing	05-ON	1	K410.FIL01
BUSHINGS				
THRUST WASHERS & BEARINGS				
ELECTRICAL COMPONENTS				
VALVE BODY PARTS				
HARD PARTS				
819B	Piston, Forward Clutch (Updated, Aluminium)	05-ON	1	K410.PIS01
SPECIAL ITEMS				
TOOLS & MANUALS				