

# AW60-40LE (AF13) AW60-42LE (AF17/AF13 MKII)

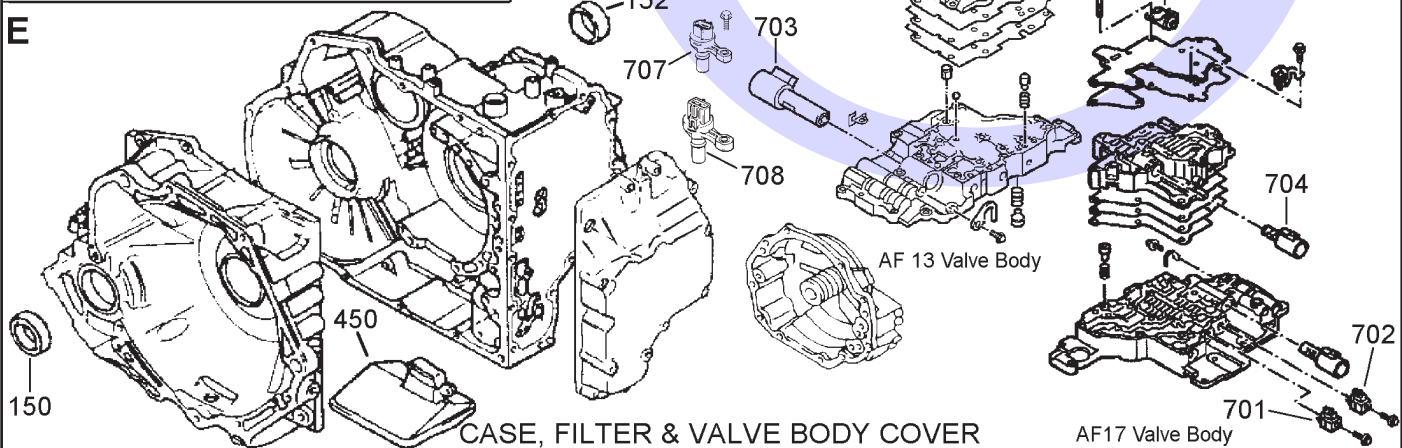
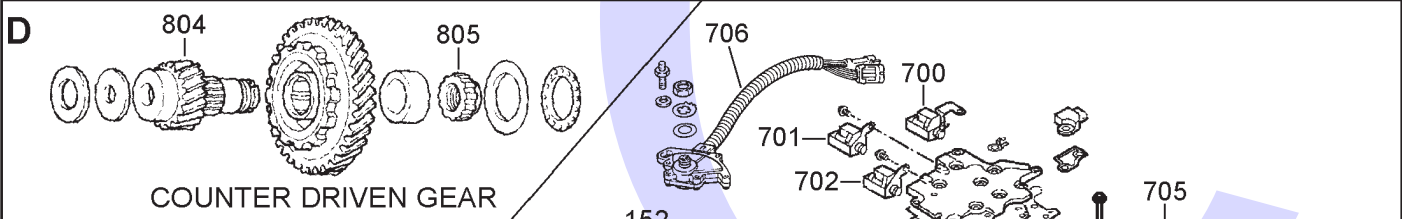
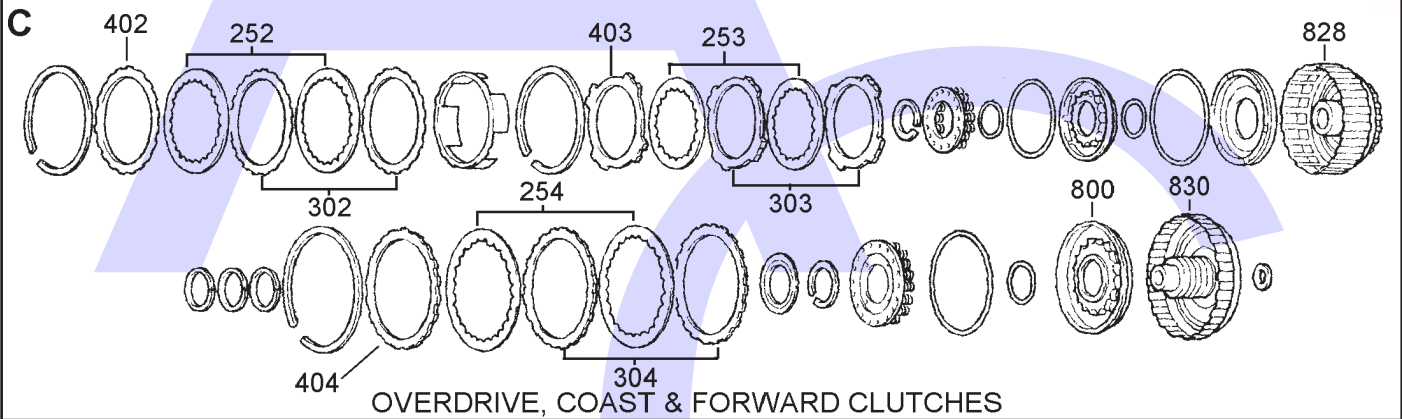
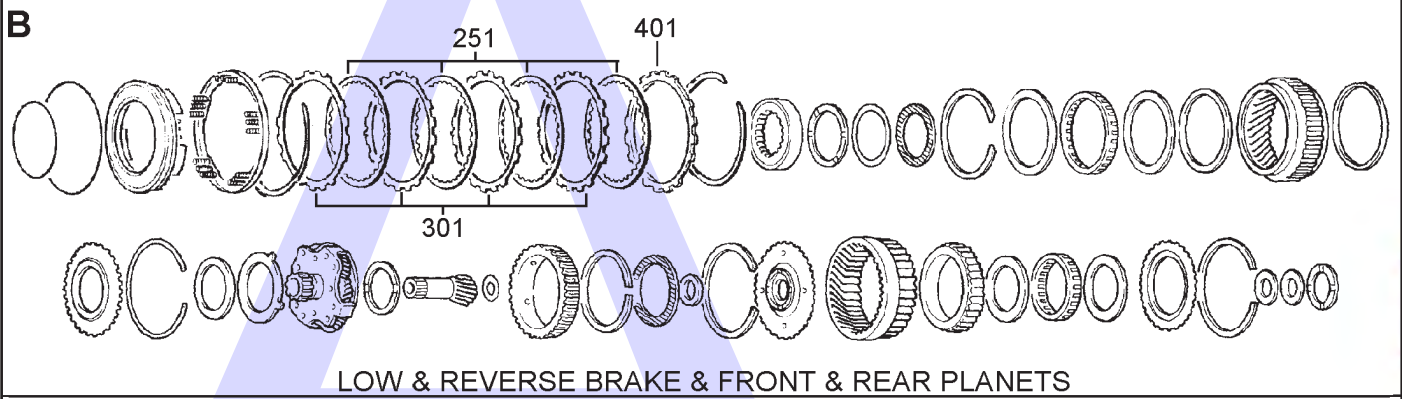
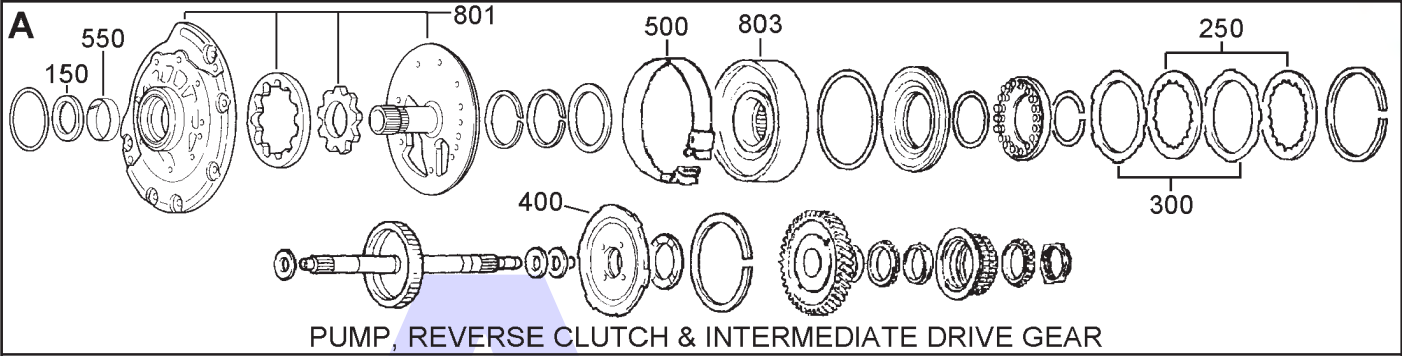
## 4 SPEED FWD (Electronic Control)



AUTOMATIC CHOICE



THE AUTOMATIC TRANSMISSION PARTS WAREHOUSE



# AW60-40LE (AF13) AW60-42LE (AF17/AF13 MKII)

## 4 SPEED FWD (Electronic Control)



AUTOMATIC CHOICE



THE AUTOMATIC TRANSMISSION PARTS WAREHOUSE

ILL NO.	DESCRIPTION	YEARS	QTY	PART NO
<b>KITS</b>				
Kit	Overhaul <b>AF13/60-40LE</b> (Transtec).....	92-ON	1	<b>AF13.OHK01</b>
Kit	Overhaul <b>AF13/60-40LE</b> (Precision).....	92-ON	1	<b>AF13.OHK52</b>
Kit	Valve Body Gasket Kit ( <b>AF17 - AF13 MKII</b> ) .....	99-ON	1	<b>AF13.GK01</b>
Kit	Valve Body Gasket Kit (AM) ( <b>AF17 Ecotec</b> ).....	98-ON	1	<b>AF13.GK03</b>
Kit	Repair Package <b>AF17</b> , Contains: 1 x Overhaul Kit, 1 x Friction Kit, 1 x Brake Band, 1 x Thrust Washer Kit, 1 x Input & 1x Output Speed Sensors, 1 x Filter .....	98-ON	1	<b>AF17.REP01</b>
<b>GASKETS &amp; RUBBER COMPONENTS</b>				
Kit	'O' Ring Kit ( <b>AF17 &amp; AF13MKII</b> ).....	99-ON	1	<b>AF13.ORK01</b>
Kit	Valve Body Gasket Kit ( <b>AF17&amp; AF13 MKII</b> ).....	99-ON	1	<b>AF13.GK01</b>
Kit	Valve Body Gasket Kit (AM) ( <b>AF17 Ecotec</b> ).....	99-ON	1	<b>AF13.GK03</b>
NI	Valve Body Gasket.....	92-ON	1	<b>AF13.GAS02</b>
NI	Valve Body Gasket.....	92-ON	1	<b>AF13.GAS03</b>
NI	Valve Body Gasket.....	92-ON	1	<b>AF13.GAS04</b>
NI	Valve Body Gasket.....	92-ON	1	<b>AF13.GAS05</b>
NI	Valve Body Gasket Main ( <b>60-41 Ecotec</b> ) .....	98-ON	1	<b>AF13.GAS06</b>
NI	Valve Body Gasket Main ( <b>60-41 Ecotec</b> ) .....	98-ON	1	<b>AF13.GAS07</b>
NI	Valve Body Gasket Small ( <b>60-41 Ecotec</b> ) .....	98-ON	1	<b>AF13.GAS08</b>
NI	Valve Body Gasket Small ( <b>60-41 Ecotec</b> ) .....	98-ON	1	<b>AF13.GAS09</b>
NI	Valve Body Gasket Small ( <b>60-41 Ecotec</b> ) .....	98-ON	1	<b>AF13.GAS10</b>
NI	Valve Body Gasket End Plate ( <b>60-41 Ecotec</b> ) .....	98-ON	1	<b>AF13.GAS11</b>
NI	Valve Body Gasket Side ( <b>60-41 Ecotec</b> ) .....	98-ON	1	<b>AF13.GAS12</b>
NI	Pump to Case 'O' Ring .....	92-ON	1	<b>AF13.OR01</b>
NI	'O' Ring, Servo Cap .....	92-ON	1	<b>AF13.OR02</b>
<b>METAL CLAD SEALS</b>				
150A	Converter Seal.....	92-ON	1	<b>BW55.MCS01</b>
152E	Drive Shaft Seal (L.Hand).....	92-ON	1	<b>AF13.MCS02</b>
151E	Drive Shaft Seal (R.Hand) .....	92-97	1	<b>AF13.MCS02</b>
151E	Drive Shaft Seal (R.Hand) .....	98-ON	1	<b>AF13.MCS03</b>
NI	Manual Shaft Seal.....	98-ON	1	<b>A130.MCS03</b>
<b>FRICTIONS</b>				
Kit	Friction Plate <b>AF13</b> (OEM).....	92-97	1	<b>AF13.FRK01</b>
Kit	Friction Plate <b>AF13/17</b> (OEM 'C1'/C0' Plates) .....	98-ON	1	<b>AF13.FRK03</b>
Kit	Friction Plate <b>AF17</b> (OEM) (1.70mm 'C1'/C0' Plates).....	98-ON	1	<b>AF13.FRK02</b>
Kit	Friction Plate <b>AF17</b> (15 Frictions) (1.75mm 'C0' & 1.70mm 'C1' Frictions) .....	06-ON	1	<b>AF13.FRK05</b>
Kit	Friction Plate <b>AF17</b> (Allomatic) .	98-ON	1	<b>AF13.FRK04</b>
Kit	Friction Plate (Alto) .....	96-ON	1	<b>AF13.FRK51</b>
250A	C2 (Direct Clutch) (126mm OD x 1.85mm x 44T) ..	92-98	2	<b>AF13.FRP02</b>
250A	C2 (Direct Clutch) (Alto) (126mm OD x 1.85mm x 44T) ..	92-98	2	<b>AF13.FRP52</b>
250A	C2 (Direct Clutch)AF13MKII/AF17 (133mm OD x 1.85mm x 44T) ..	98-ON	2	<b>AF13.FRP05</b>
251B	B2 (Low & Reverse) (160mm OD x 1.70mm x 33T) .	92-ON	4-5	<b>AF20.FRP03</b>

ILL NO.	DESCRIPTION	YEARS	QTY	PART NO
<b>FRICTIONS Cont...</b>				
252C	C0 (Overdrive Clutch) (142mm OD x 1.75mm x 51T) ..	92-ON	2-3	<b>AF13.FRP01</b>
252C	C0 (Overdrive Clutch) (Alto) (142mm OD x 1.75mm x 51T) ..	92-ON	2-3	<b>AF13.FRP51</b>
252C	C0 (Overdrive Clutch)AF13MKII/AF17 (142mm OD x 1.70mm x 51T) ..	98-ON	2-3	<b>AF13.FRP06</b>
253C	C3 (Coast Clutch) (126mm OD x 1.70mm x 44T) .	92-ON	2	<b>AF13.FRP03</b>
253C	C3 (Coast Clutch) (Alto) (126mm OD x 1.70mm x 44T) .	92-ON	2	<b>AF13.FRP53</b>
254C	C1 (Forward Clutch) (142mm OD x 1.75mm x 51T) ..	92-ON	2	<b>AF13.FRP01</b>
254C	C1 (Forward Clutch) (Alto) (142mm OD x 1.75mm x 51T) ..	92-ON	2	<b>AF13.FRP51</b>
254C	C1 (Forward Clutch)AF13MKII/AF17 (142mm OD x 1.70mm x 51T) ..	98-ON	3	<b>AF13.FRP06</b>
<b>STEEL PLATES</b>				
Kit	Steel Plate <b>AF13/60-42LE</b> .....	92-ON	1	<b>AF13.STK01</b>
Kit	Steel Plate <b>AF17/60-41SN</b> .....	98-ON	1	<b>AF13.STK02</b>
Kit	Steel Plate <b>AF13/17</b> Combi .....	92-ON	1	<b>AF13.STK03</b>
Kit	Steel Plate <b>AF13/60-42LE</b> (Alto) .....	92-ON	1	<b>AF13.STK51</b>
300A	C2 (Direct Clutch) (104mm ID x 1.80mm x 6T) .....	92-ON	2	<b>AF13.STP02</b>
300A	C2 (Direct Clutch) <b>AF13MKII/AF17</b> (114mm ID x 1.80mm x 15T) ....	98-ON	2	<b>AF13.STP06</b>
301B	B2 (Low & Reverse) (144mm ID x 1.60mm x 15T) ....	92-ON	3-5	<b>AF13.STP04</b>
302C	C0 (Overdrive) (119mm ID x 1.80mm x 36T) ....	92-ON	1	<b>AF13.STP01</b>
302C	C0 (Overdrive) (119mm ID x 2.50mm x 36T) ....	98-ON	2	<b>AF13.STP08</b>
303C	C3 (Coast Clutch) (104mm ID x 1.80mm x 16T) ....	92-ON	1	<b>AF13.STP03</b>
304C	C1 (Forward Clutch) (119mm ID x 1.85mm x 20T) ....	92-ON	2	<b>AF13.STP05</b>
304C	C1 (Forward Clutch <b>AF13MKII/AF17</b> ) (119mm ID x 1.85mm x 20T) ....	98-ON	3	<b>AF13.STP07</b>
<b>PRESSURE PLATES</b>				
400A	C2 (Reverse).....	98-ON	1	<b>AF13.PP12</b>
401B	B2 (Low/Reverse) .....	92-ON	2	<b>AF13.PP13</b>
402C	C0 (Overdrive) 3.60mm x 36T ..	92-ON	Sel	<b>AF13.PP01</b>
402C	C0 (Overdrive) 3.80mm x 36T ..	92-ON	Sel	<b>AF13.PP02</b>
402C	C0 (Overdrive) 4.00mm x 36T ..	92-ON	Sel	<b>AF13.PP03</b>
403C	C3 (Coast) 3.20mm x 16T.....	92-ON	Sel	<b>AF13.PP05</b>
403C	C3 (Coast) 3.60mm x 16T.....	92-ON	Sel	<b>AF13.PP06</b>
403C	C3 (Coast) 3.80mm x 16T.....	92-ON	Sel	<b>AF13.PP07</b>
403C	C3 (Coast) 4.00mm x 16T.....	92-ON	Sel	<b>AF13.PP08</b>
404C	C1 (Forward) 3.60mm.....	92-ON	Sel	<b>AF13.PP09</b>
404C	C1 (Forward) 3.80mm.....	92-ON	Sel	<b>AF13.PP10</b>
404C	C1 (Forward) 3.40mm.....	92-ON	Sel	<b>AF13.PP11</b>
<b>FILTERS</b>				
450E	Filter.....	92-ON	1	<b>AF13.FIL01</b>
<b>BANDS</b>				
500A	B1 Band ( <b>AF13</b> ).....	92-98	1	<b>AF13.BAN01</b>
500A	B1 Band ( <b>AF13MKII/AF17</b> ).....	98-ON	1	<b>AF13.BAN02</b>

# AW60-40LE (AF13) AW60-42LE (AF17/AF13 MKII)

## 4 SPEED FWD (Electronic Control)



AUTOMATIC CHOICE



THE AUTOMATIC TRANSMISSION PARTS WAREHOUSE

ILL NO.	DESCRIPTION	YEARS	QTY	PART NO
<b>BUSHINGS</b>				
550A	Pump to Converter.....	92-ON	1	BW55.BUS01
<b>THRUST WASHERS &amp; BEARINGS</b>				
Kit	Thrust Washer Kit (AF13 & AF17) .....	92-ON	1	AF17.TWK01
<b>SHAFT SEALING RINGS</b>				
Kit	Shaft Sealing Ring .....	92-ON	1	AF13.SRK01
Kit	Shaft Sealing Ring (AF13/AF13MKII) .....	99-ON	1	AF13.SRK02
<b>ELECTRICAL COMPONENTS</b>				
700E	Lock Up Solenoid (On Off Type) (AF13).....	92-ON	1	AF13.SOL02
701E	1-2/3-4 Shift Solenoid (AF13/AF13MKII/AF17).....	92-ON	1	AF13.SOL01
702E	2-3 Shift Solenoid (AF13/AF13MKII/AF17).....	92-ON	1	AF13.SOL01
703E	Pressure Control Solenoid (EPC) (AF13 Only Aftermarket) .....	92-ON	1	AF13.SOL51
704E	Lock Up Solenoid (PWM Type) (AF13MKII/AF17) .....	99-ON	1	AF13.SOL04
705E	Neutral Control Solenoid (AF13 MKII/AF17) .....	99-ON	1	AF13.SOL06
706E	Range Switch, Early Type (60A041) .....	92-ON	1	AF13.ELE01
706E	Range Switch, Late Type (60A070) .....	92-ON	1	AF13.ELE02
707E	Input Speed Sensor (Small black sensor at the lower back of the box) (OEM) .....	92-ON	1	AF17.ELE01
	(Aftermarket) .....	92-ON	1	AF17.ELE51
708E	Output Speed Sensor (Larger grey sensor at the upper middle of the box) (OEM) .....	92-ON	1	AF17.ELE02
	(Aftermarket) .....	92-ON	1	AF17.ELE52
<b>VALVE BODY PARTS</b>				
Kit	Valve Body Repair (Sonnax ZIP KIT) (AF13, 60-40LE) (Sonnax® <a href="#">Click here for Info</a> ) ...	92-99	1	AF13.ZIP01
Kit	Valve Body Repair (Sonnax ZIP KIT) (AF17, 60-41SN, 60-42LE) (Sonnax® <a href="#">Click here for Info</a> ) ...	99-ON	1	AF17.ZIP01
NI	Valve Body (New AF13) No Neutral Solenoid.....	92-99	1	AF13.VB01
NI	Valve Body (New AF13 MKII, AF17) Has Neutral Solenoid.....	99-ON	1	AF17.VB01
	<a href="#">AW60-40LE Vacuum Test Points (Sonnax®)</a>			
	<a href="#">AW60-41SN Vacuum Test Points (Sonnax®)</a>			

ILL NO.	DESCRIPTION	YEARS	QTY	PART NO
<b>HARD PARTS</b>				
800C	Piston 'C1' AF17/AF13MKII.....	98-ON	1	AF13.PIS01
801A	Pump Assembly .....	92-00	1	AF13.PUM01
803A	'C2' Clutch Drum.....	98-ON	1	AF13.DRU01
804D	Pinion Shaft 21T (AF17) .....	98-ON	1	AF17.GE01
805D	Nut, Pinoin Shaft (AF17).....	98-ON	1	AF17.NUT01
828C	Drum, 'C3' Clutch (AF17) (Box No. 90523457 Only) .....	98-ON	1	AF17.DRU02
828C	Drum, 'C3' Clutch (AF17) (All Except Box No. 90523457) .....	98-ON	1	AF17.DRU03
830C	Drum, 'C1' Clutch (AF17).....	98-ON	1	AF17.DRU01
NI	Crown Wheel 85T (AF17).....	98-ON	1	AF17.CW01
<b>SPECIAL ITEMS, TOOLS &amp; MANUALS</b>				
NI	AF13/20/22 Check Manual .....	96-ON		AF20.MAN03
NI	'Z' Link (Man. Valve to Detent) ..	92-ON	1	AF13.LI01
NI	Retaining Clip, Cooler Hose to Case (AF13/AF17).....	92-ON	1	AF13.RET01