

# AW50-40/42LE (AF14, 20, 22, 23)

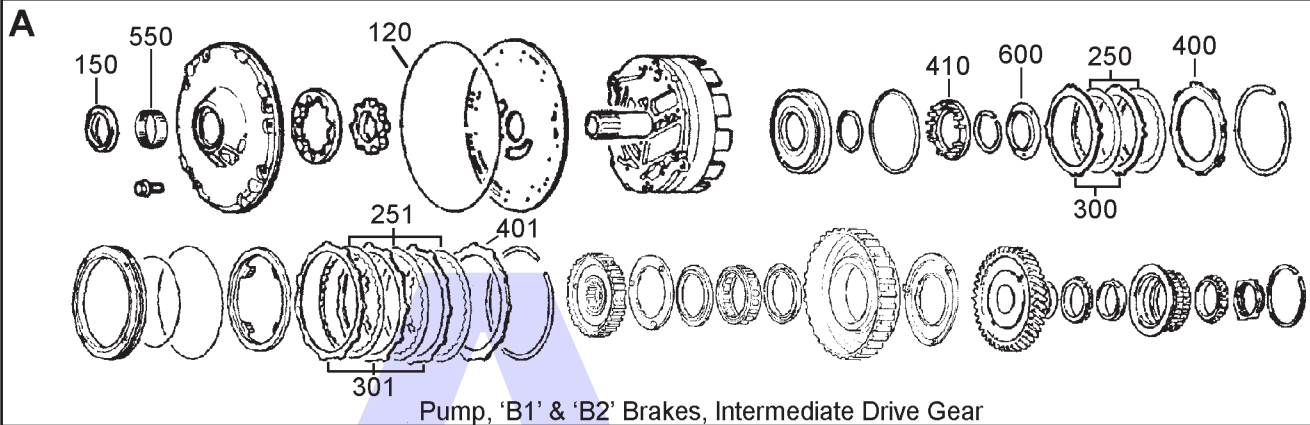
## 4 SPEED FWD (Electronic Control)



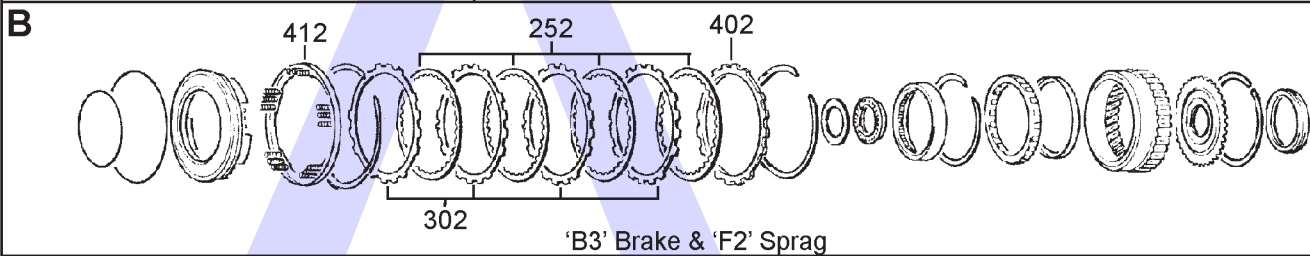
AUTOMATIC CHOICE



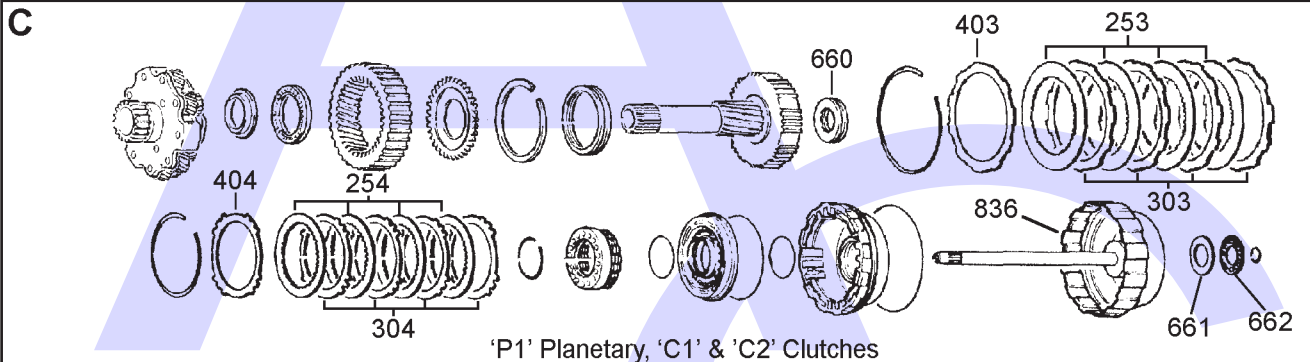
THE AUTOMATIC TRANSMISSION PARTS WAREHOUSE



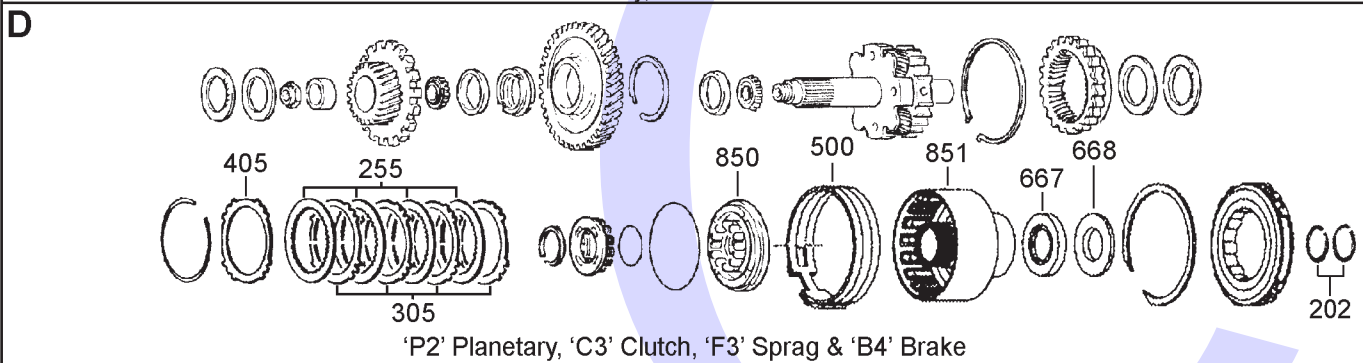
Pump, 'B1' & 'B2' Brakes, Intermediate Drive Gear



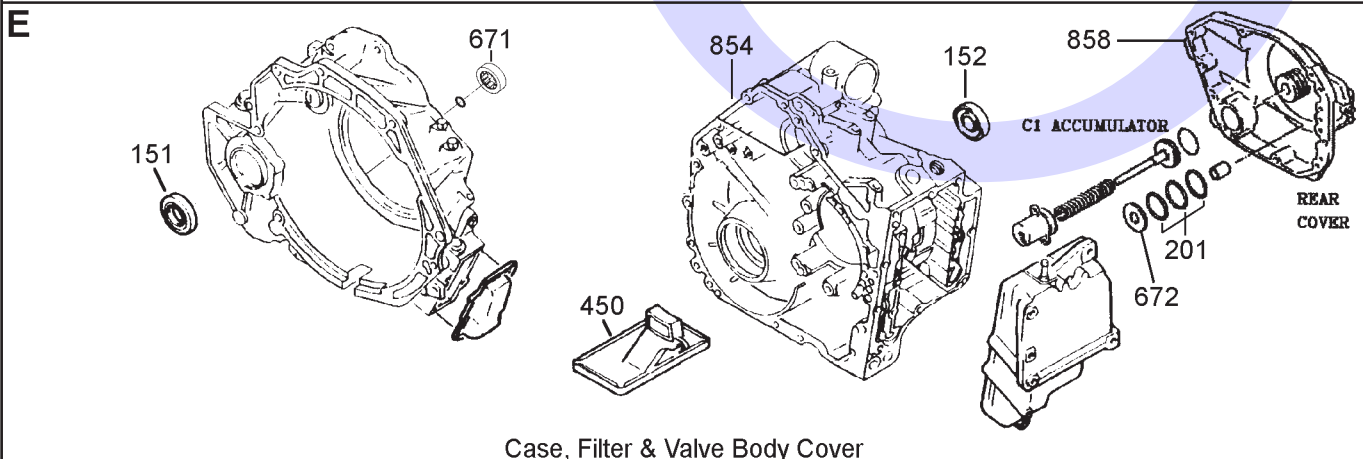
'B3' Brake & 'F2' Sprag



'P1' Planetary, 'C1' & 'C2' Clutches



'P2' Planetary, 'C3' Clutch, 'F3' Sprag & 'B4' Brake



Case, Filter & Valve Body Cover

# AW50-40/42LE (AF14, 20, 22, 23)

## 4 SPEED FWD (Electronic Control)



AUTOMATIC CHOICE



THE AUTOMATIC TRANSMISSION PARTS WAREHOUSE

ILL NO.	DESCRIPTION	YEARS	QTY	PART NO
<b>KITS</b>				
Kit	Overhaul Kit AF14, 20, 22 (Bryco) .....	89-ON	1	<b>AF20.OHK01</b>
Kit	Overhaul Kit AF14, 20, 22 (Transtec).....	89-ON	1	<b>AF20.OHK02</b>
Kit	Overhaul Kit AF14 & 20 (Precision).....	89-ON	1	<b>AF20.OHK53</b>
Kit	Overhaul Kit AF22 Ecotec (Precision).....	96-ON	1	<b>AF22.OHK01</b>
Kit	Valve Body Gasket Kit (Complete) .....	89-ON	1	<b>AF20.GK01</b>
Kit	Valve Body Gasket Kit (Front)...	89-ON	1	<b>AF20.GK02</b>
Kit	Valve Body Gasket Kit (Rear) ...	89-ON	1	<b>AF20.GK03</b>
<b>OGASKETS</b>				
NI	Valve Body Cover Gasket AF14, 20, 22 .....	89-ON	1	<b>AF20.GAS10</b>
NI	Valve Body Rear Spacer Plate Lower Gasket (AF14/20).....	89-ON	1	<b>AF20.GAS01</b>
NI	Valve Body Rear Spacer Plate Upper Gasket (AF14/20).....	89-ON	1	<b>AF20.GAS02</b>
NI	Valve Body Gasket Main Lower .....	89-ON	1	<b>AF20.GAS03</b>
NI	Valve Body Gasket Rear Upper (20NEJ, X25XE Engines).....	96-ON	1	<b>AF20.GAS12</b>
NI	Valve Body Gasket Main Upper Except 2.0 Ecotec/V6.....	96-ON	1	<b>AF20.GAS04</b>
NI	Valve Body Gasket Main Upper 2.0 Ecotec/V6 Only .....	96-ON	1	<b>AF20.GAS05</b>
NI	Valve Body Gasket (Ecotec) 1.8/2.0 Litre V Ident.....	96-ON	1	<b>AF20.GAS06</b>
NI	Valve Body Gasket (Ecotec) 1.8/2.0 Litre V Ident.....	96-ON	1	<b>AF20.GAS07</b>
NI	Valve Body Gasket (Ecotec) 1.8/2.0 Litre V Ident.....	96-ON	1	<b>AF20.GAS08</b>
NI	Valve Body Gasket (Ecotec) 1.8/2.0 Litre V Ident.....	96-ON	1	<b>AF20.GAS09</b>
NI	Cover Gasket (Small plate on valve body Held with 2 Bolts) .....	89-ON	1	<b>AF20.GAS11</b>
<b>RUBBER COMPONANTS</b>				
120A	Pump to case 'O' Ring .....	89-ON	1	<b>AF20.OR01</b>
<b>METAL CLAD SEALS</b>				
150A	Converter Seal All .....	89-ON	1	<b>BW55.MCS01</b>
151E	Driveshaft Left (GM).....	89-ON	2	<b>TH125.MCS02</b>
151E	Driveshaft Left (Volvo).....	89-ON	2	<b>AF20.MCS02</b>
152E	Driveshaft Right (GM) .....	89-ON	2	<b>TH125.MCS02</b>
152E	Driveshaft Right (Volvo) .....	89-ON	2	<b>AF20.MCS02</b>
NI	Manual Shaft Seal.....	89-ON	1	<b>A130.MCS03</b>
<b>SEALING RINGS</b>				
Kit	Sealing Ring Kit .....	89-ON	1	<b>AF20.SRK01</b>
201E	End Cover .....	89-ON	3	<b>AF20.SSR01</b>
202D	'C3' Clutch.....	89-ON	2	<b>AF20.SSR02</b>
<b>FRICION PLATES</b>				
Kit	Friction Plate (OEM) (AF14 & AF20, 50-40/42LE).....	89-ON	1	<b>AF20.FRK01</b>
Kit	Friction Plate (OEM) (AF22 Ecotec).....	96-ON	1	<b>AF20.FRK02</b>
Kit	Friction Plate (Alto) (50-40/42LE/LM, AF20/22).....	89-97	1	<b>AF20.FRK51</b>
Kit	Friction Plate (Alto) (50-40/42LE) .....	99-ON	1	<b>AF20.FRK52</b>
Kit	Friction Plate (Alto) (50-42LM) .....	99-ON	1	<b>AF20.FRK53</b>

ILL NO.	DESCRIPTION	YEARS	QTY	PART NO
<b>FRICION PLATES Cont...</b>				
250A	B1 (2nd Coast) (OEM) (107mm OD x 1.70mm x 34T) .....	89-ON	2	<b>AF20.FRP01</b>
250A	B1 (2nd Coast) (Alto) (107mm OD x 1.70mm x 34T) .....	89-ON	2	<b>AF20.FRP51</b>
251A	B2 (2nd Brake) (OEM) (160mm Grooved 33 Teeth) .....	89-ON	2	<b>AF20.FRP02</b>
251A	B2 (2nd Brake) (Alto) (160mm Grooved 33 Teeth) .....	89-ON	2	<b>AF20.FRP52</b>
251A	B2 (2nd Brake) Smooth V6 Only (AM) (160mm OD x 1.90mm x 40T) .....	89-ON	4	<b>AF20.FRP06</b>
251A	B2 (2nd Brake) Smooth V6 Only (Alto) (160mm OD x 1.90mm x 40T) .....	89-ON	4	<b>AF20.FRP56</b>
251A	B2 (2nd Brake) (OEM) (160mm OD x 1.70mm x 40T) .....	99-ON	4	<b>AF20.FRP07</b>
251A	B2 (2nd Brake) (Alto) (160mm OD x 1.70mm x 40T) .....	99-ON	4	<b>AF20.FRP57</b>
252B	B3 (Low & Rev) (Plain, AM) (160mm x 1.70mm x 33 Teeth) .....	89-ON	5	<b>AF20.FRP03</b>
252B	B3 (Low & Rev) (Alto) (160mm x 1.70mm x 33 Teeth) .....	89-ON	5	<b>AF20.FRP53</b>
253C	C1 (Forward) (OEM) (138mm OD x 1.70mm x 46T) .....	89-ON	4	<b>AF20.FRP04</b>
253C	C1 (Forward) (Alto) (138mm OD x 1.70mm x 46T) .....	89-ON	4	<b>AF20.FRP54</b>
254C	C2 (Direct) (OEM) (107mm OD x 1.70mm x 34T) .....	89-ON	4	<b>AF20.FRP01</b>
254C	C2 (Direct) (Alto) (107mm OD x 1.70mm x 34T) .....	89-ON	4	<b>AF20.FRP51</b>
255D	C3 (Underdrive) (OEM) (107mm OD x 1.70mm x 34T) .....	89-ON	4	<b>AF20.FRP01</b>
255D	C3 (Underdrive) (Alto) (107mm OD x 1.70mm x 34T) .....	89-ON	4	<b>AF20.FRP51</b>
255D	C3 (Underdrive) <b>Waved</b> (AF25 V6, Plus Some 2.2L Petrol & Diesel) (114mm OD x 1.75mm x 34T).....	96-ON	4	<b>AF20.FRP05</b>
255D	C3 (Underdrive) (AF25 V6, Plus Some 2.2L Petrol & Diesel) (114mm OD x 1.75mm x 34T).....	96-ON	4	<b>AF20.FRP55</b>
NI	AWD Transfer clutch (149mm OD x 1.50mm x 61T) .....	89-ON	AR	<b>AF20.FRP58</b>
<b>STEEL PLATES</b>				
Kit	Steel Plate (AF20/22, 50-40/42LE) .....	89-99	1	<b>AF20.STK01</b>
Kit	Steel Plate (Alto) (AF20/22, 50-40/42LE) .....	89-99	1	<b>AF20.STK51</b>
Kit	Steel Plate (AF20/22, 50-40/42LE) .....	99-ON	1	<b>AF20.STK02</b>
Kit	Steel Plate (Alto) (AF20/22, 50-40/42LE) .....	99-ON	1	<b>AF20.STK52</b>
Kit	Steel Plate (Alto) (AF20/22, 50-40LM/41LM/42LM) .....	99-ON	1	<b>AF20.STK53</b>
300A	Steel Plate B1 Brake (91mm ID x 1.80mm x 8T) .....	89-ON	2	<b>AF20.STP01</b>
301A	Steel Plate B2 (2nd Brake) (144mm ID x 2.50mm x 10T) .....	89-ON	3-4	<b>AF20.STP02</b>
301A	Steel Plate B2 (2nd Brake) (141mm ID x 1.80mm x 10T) .....	89-98	4	<b>AF20.STP09</b>
301A	Steel Plate B2 (2nd Brake) (141mm ID x 2.50mm x 10T) .....	99-ON	4	<b>AF20.STP08</b>
301A	Steel Plate B2 (2nd Brake) (141mm ID x 4.00mm x 10T) .....	99-ON	4	<b>AF20.STP12</b>
302B	Steel Plate B3 (Low & Rev) (144mm ID x 1.80mm x 15T) .....	89-ON	5	<b>AF20.STP04</b>

# AW50-40/42LE (AF14, 20, 22, 23)

## 4 SPEED FWD (Electronic Control)



AUTOMATIC CHOICE



THE AUTOMATIC TRANSMISSION PARTS WAREHOUSE

ILL NO.	DESCRIPTION	YEARS	QTY	PART NO
<b>STEEL PLATES Cont...</b>				
303C	Steel Plate C1 (Forward) (114mm ID x 1.80mm x 12T) ....	89-ON	4	AF20.STP03
303C	Steel Plate C1 (Forward) (1114mm ID x 2.00mm x 12T)...	89-ON	AR	AF20.STP10
304C	C2 Clutch (Direct) (91mm ID x 1.80mm x 12T) .....	89-ON	4	AF20.STP05
305D	Steel Plate C3 Clutch (91mm ID x 1.80mm x 8T) .....	89-ON	4	AF20.STP01
305D	Steel Plate C3 Clutch V6 (91mm ID x 1.80mm x 18T) .....	99-ON	4	AF20.STP06
305D	Steel Plate C3 Clutch V6 (91mm ID x 2.50mm x 18T) .....	99-ON	4	AF20.STP11
NI	AWD Transfer clutch (133mm ID x 1.50mm x 66T) ....	89-ON	AR	AF20.STP58
<b>PRESSURE PLATES</b>				
400A	Pressure Plate B1 (3.50mm).....	89-ON	Sel	AF20.PP02
401A	Pressure Plate B2 (3.60mm).....	89-ON	Sel	AF20.PP03
402B	Pressure Plate B3 (3.80mm).....	89-ON	Sel	AF20.PP04
403C	Pressure Plate C1 (3.60mm) ....	89-ON	Sel	AF20.PP01
403C	Pressure Plate C1 (3.80mm) ....	89-ON	Sel	AF20.PP08
403C	Pressure Plate C1 (4.00mm) ....	89-ON	Sel	AF20.PP09
404C	Pressure Plate C2 (3.60mm) ....	89-ON	Sel	AF20.PP10
404C	Pressure Plate C2 (3.80mm) ....	89-ON	Sel	AF20.PP05
404C	Pressure Plate C2 (4.00mm) ....	89-ON	Sel	AF20.PP06
405D	Pressure Plate C3 (3.60mm) ....	89-ON	Sel	AF20.PP11
405D	Pressure Plate C3 (3.80mm) ....	89-ON	Sel	AF20.PP07
405D	Pressure Plate C3 (4.00mm) ....	89-ON	Sel	AF20.PP12
NI	Cushion Spring B3 Brake.....	89-ON	1	AF20.DIA03
<b>SPRING &amp; CIRCLIPS</b>				
410A	Piston Return Spring (‘B1’ Brake) .....	89-ON	1	AF20.RET01
412B	Piston Return Spring (‘B3’ Brake) .....	89-ON	1	AF20.DIA03
<b>BANDS</b>				
500D	B4 Band .....	89-ON	1	AF20.BAN01
<b>BUSHINGS</b>				
Kit	Bush Kit .....	89-ON	1	AF20.BK01
550A	Pump to Converter.....	89-ON	1	BW55.BUS01
<b>FILTERS</b>				
450E	Filter AF14, 20 (Tan) .....	89-ON	1	AF20.FIL01
450E	Filter AF22 V6 (Black, AM).....	96-ON	1	AF20.FIL02
450E	Filter AF22 V6 (Black, OEM).....	96-ON	1	AF20.FIL12
NI	Valve Body Filter (Large) .....	89-ON	AR	AF20.FIL03
NI	Valve Body Filter (Small).....	89-ON	AR	AF20.FIL04
<b>ELECTRICAL COMPONENTS</b>				
NI	1-2/3-4 & 2-3 Shift Solenoid (AF14, AF20).....	91-96	2	AF20.SOL04
NI	1-2/3-4 Shift Solenoid (AF20/AF22) .....	96-ON	1	AF20.SOL05
NI	2-3 Shift Solenoid (AF20/AF22).....	96-ON	1	AF20.SOL04

ILL NO.	DESCRIPTION	YEARS	QTY	PART NO
<b>ELECTRICAL COMPONENTS Cont...</b>				
NI	Lock Up Solenoid (AF14, AF20 & AF22).....	91-ON	1	AF20.SOL02
NI	Neutral Control Solenoid (AF20/AF22) .....	96-ON	1	AF20.SOL03
NI	Input Speed Sensor (OEM) .....	91-92	1	AF20.ELE01
	(OEM) .....	93-ON	1	AF17.ELE01
	(Aftermarket) .....	93-ON	1	AF17.ELE51
NI	Output Speed Sensor (OEM) .....	91-92	1	AF20.ELE02
	(OEM) .....	93-ON	1	AF17.ELE01
	(Aftermarket) .....	93-ON	1	AF17.ELE51
NI	Range Switch (Volvo 50-42LE) .	91-ON	1	AF20.ELE05
<b>THRUST WASHERS &amp; BEARINGS</b>				
600A	Thrust Washer Pump (Plastic)	91-ON	1	AF20.THW03
660C	Radial Bearing, Sun Shaft to C1/C2 Drum .....	91-ON	1	AF20.TOR04
661C	Thrust Plate C1/C2 Drum to End Cover (Drum Side).....	91-ON	1	AF20.THW01
662C	Thrust Bearing C1/C2 Drum to End Cover .....	91-ON	1	AF20.TOR01
667D	Thrust Bearing, ‘C3’ Clutch Drum to Case.....	91-ON	1	AF20.TOR05
667D	Radial Bearing, ‘C3’ Clutch Drum to Case Late 60mm OD .....	98-ON	1	AF20.TOR06
668D	Thrust Race, ‘C3’ Clutch Drum to Case Late 60mm OD .....	98-ON	1	AF20.TOR07
671E	Roller Bearing, Planet Support .	98-ON	1	AF20.BE01
672E	Thrust Plate C1/C2 Drum to End Cover (Cover Side).....	91-ON	1	AF20.THW02
<b>VALVE BODY PARTS</b>				
NI	Valve Body, Rebuilt (4 Sols).....	91-ON	1	AF20.VB01
NI	Valve Body, Rebuilt (5 Sols).....	91-ON	1	AF20.VB02
NI	Lock Up Control, Plunger & Sleeve Kit (Sonnax@ <a href="#">Click here for Info</a> ) .	91-ON	1	AF20.VA01
NI	Main Boost Valve & Sleeve Kit (Sonnax@ <a href="#">Click here for Info</a> ) .	91-ON	1	AF20.VA02
<b>HARDWARE</b>				
827C	Planetary Assy (50-42LE) (Billet Type Saab, Volvo, Kia)....	91-ON	1	AF20.PL01
836C	C1/C2 Drum (Rebuilt) .....	91-ON	1	AF20.DRU01
836C	Uprated C1/C2 Drum Assy (50-40/50-42 With Piston) .....	91-ON	1	AF20.DRU02
850D	Piston ‘C3’ Clutch (V6 Models) (115mm OD) .....	91-ON	1	AF20.PIS11
851D	Drum-C3 Clutch (V6 Models)....	91-ON	1	AF20.DRU03
854E	Main Case Assy (Saab) .....	92-ON	1	AF20.CAS02
854E	Main Case Assy (Volvo).....	92-ON	1	AF20.CAS03
854E	Main Case Assy (Volvo AWD) (Need Vehicle Details) .....	99-ON	1	AF20.CAS04
858E	End Cover (Volvo) 50-42LE .....	92-ON	1	AF20.CAS01
858E	End Cover (Kia Carnival) .....	98-ON	1	AF20.CAS05
NI	Shaft, Transmission to Transfer Case (Volvo 4 x 4) .....	92-ON	1	AF20.SH01
<b>SPECIAL ITEMS, TOOLS &amp; MANUALS</b>				
NI	Volvo 50-42 Manual (S40/V40 ..	96-ON		AF20.MAN01
NI	Volvo/Saab 50-42 Manual (CD)	96-ON		AF20.MAN04