

TOYOTA A130L, 131L & 132L

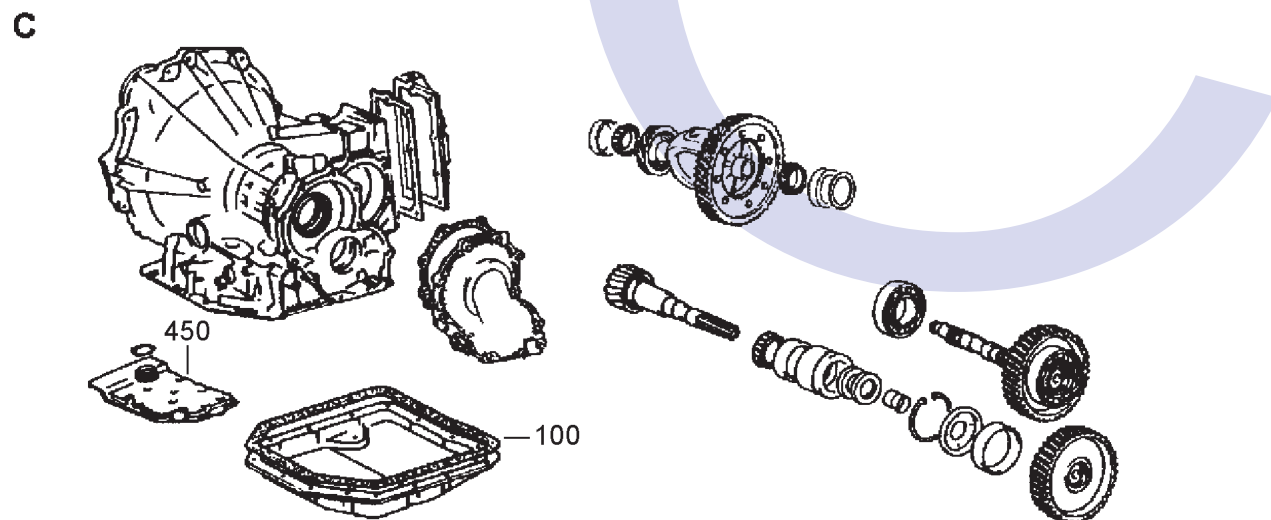
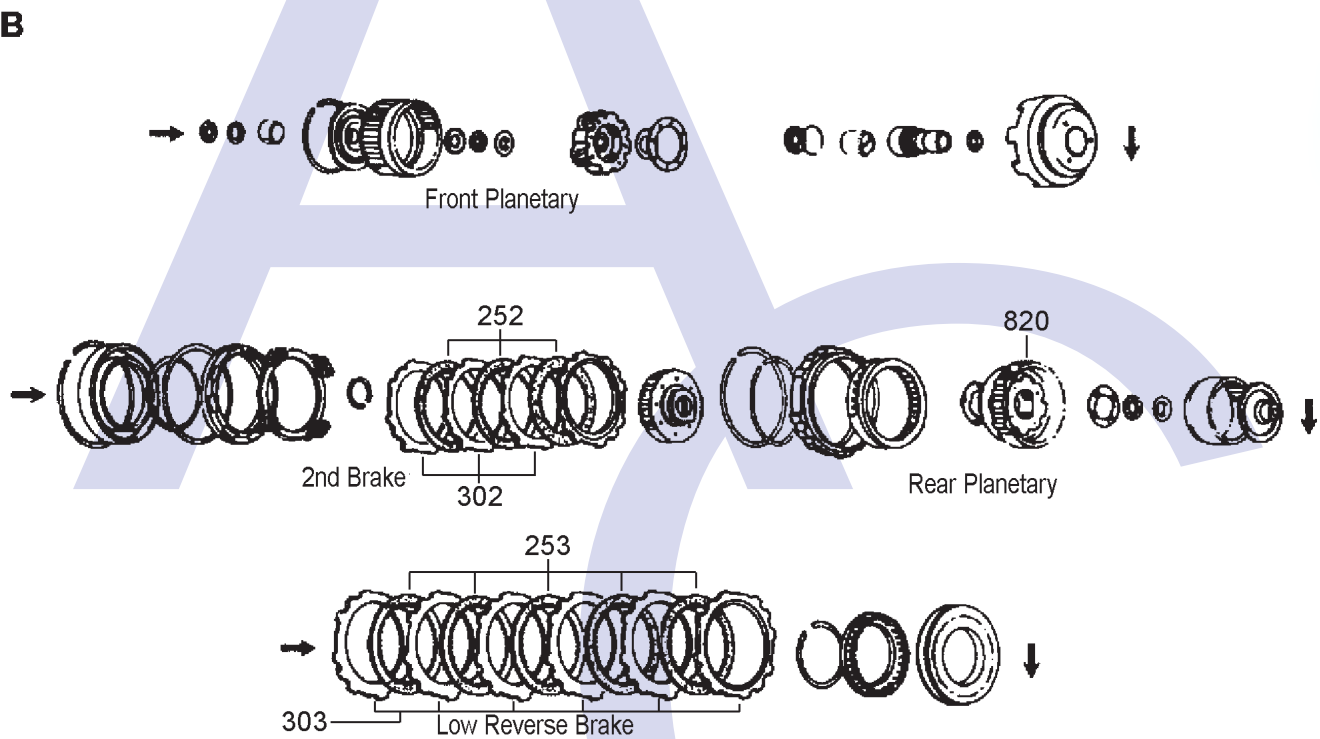
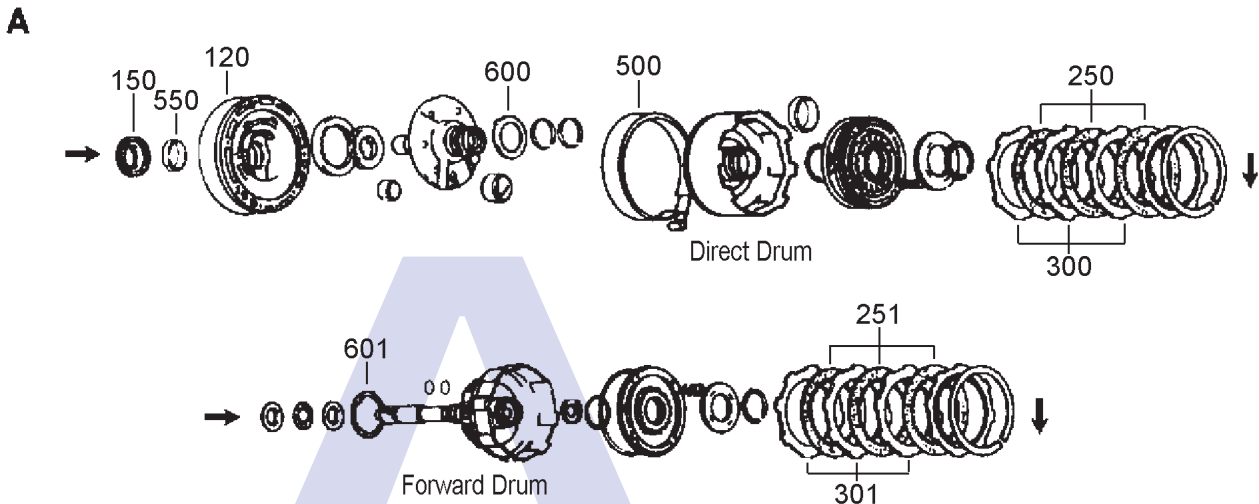
3 SPEED FWD (Hydraulic Control)



AUTOMATIC CHOICE



THE AUTOMATIC TRANSMISSION PARTS WAREHOUSE



TOYOTA A130L, 131L & 132L

3 SPEED FWD (Hydraulic Control)



AUTOMATIC CHOICE



THE AUTOMATIC TRANSMISSION PARTS WAREHOUSE

| ILL NO. | DESCRIPTION | YEARS | QTY | PART NO |
|--------------------------|--|-------|-----|------------|
| KITS | | | | |
| Kit | Overhaul Kit A130, A131, A132 (Transtec)..... | 83-ON | 1 | A130.OHK01 |
| Kit | Overhaul Kit A130, A131, A132 (Precision)..... | 83-ON | 1 | A130.OHK51 |
| Kit | Gasket & Rubber A130..... | 85-ON | 1 | A130.GSK01 |
| GASKETS | | | | |
| 100C | Pan Gasket | 83-ON | 1 | A130.GAS01 |
| RUBBER COMPONENTS | | | | |
| 120A | Pump O Ring | 83-ON | 1 | A130.OR01 |
| NI | Sealing Tube (Intermediate Brake to Case).... | 83-ON | 1 | A140.TU01 |
| METAL CLAD SEALS | | | | |
| 150A | Converter Seal..... | 83-ON | 1 | BW55.MCS01 |
| NI | Manual Shaft Seal..... | 83-ON | 1 | A130.MCS03 |
| SEALING RINGS | | | | |
| FRICION PLATES | | | | |
| Kit | Friction Plate A130, A131L, A132L (Alto) | 83-94 | 1 | A130.FRK51 |
| 250A | Direct Clutch (125mm OD x 1.70mm x 40T) .. | 83-ON | 2-4 | A130.FRP01 |
| 251A | Forward Clutch Plain (125mm OD x 1.70mm x 40T) .. | 83-ON | 2-4 | A130.FRP01 |
| 252B | Intermediate Brake (140mm OD x 1.70mm x 33T) .. | 83-ON | 2-3 | A130.FRP02 |
| 253B | Low & Reverse (140mm OD x 1.70mm x 33T) .. | 83-ON | 5-6 | A130.FRP02 |
| STEEL PLATES | | | | |
| Kit | Steel Plate (Alto)..... | 83-94 | 1 | A130.STK51 |
| Kit | Steel Plate A132L (Alto)..... | 95-ON | 1 | A130.STK51 |
| 300A | Direct Clutch (105mm ID x 1.8mm x 8T) | 83-ON | 3-4 | A130.STP01 |
| 301A | Forward Clutch (105mm ID x 1.8mm x 8T) | 83-ON | 3-4 | A130.STP01 |
| 302B | Intermediate Brake (wide Spline) (115mm ID x 1.80mm x 12T) | 83-ON | 3-4 | A130.STP03 |
| 303B | Low & Reverse Brake (Narrow Spline) (115mm ID x 1.80mm x 12T) | 83-ON | 4-5 | A130.STP04 |
| PRESSURE PLATES | | | | |

| ILL NO. | DESCRIPTION | YEARS | QTY | PART NO |
|--------------------------------------|--|-------|-----|------------|
| SPRINGS & CIRCLIPS | | | | |
| FILTERS | | | | |
| 450C | Filter A130, 140..... | 83-ON | 1 | A140.FIL01 |
| BANDS | | | | |
| 500A | Intermediate Overrun (25mm Wide) | 83-ON | 1 | A130.BAN01 |
| BUSHINGS | | | | |
| Kit | Bush Kit..... | 83-ON | 1 | A140.BK01 |
| 550A | Pump Body | 83-ON | 1 | BW55.BUS01 |
| THRUST WASHERS & BEARINGS | | | | |
| 600A | Thrust Washer (Stator to Direct Drum)..... | 83-ON | 1 | A140.THW02 |
| 601A | Thrust Washer (Direct to Forward Drum) | 83-ON | 1 | A140.THW03 |
| ELECTRICAL COMPONENTS | | | | |
| VALVE BODY PARTS | | | | |
| HARD PARTS | | | | |
| 820B | Rear Planetary (4 Pinoin x 45.75mm High) | 83-ON | 1 | A140.PL01 |
| SPECIAL ITEMS | | | | |
| TOOLS & MANUALS | | | | |
| NI | Rebuild Manual (ATSG) | 83-ON | | A130.MAN01 |