

# ALLISON AT540, 542, 543, 545

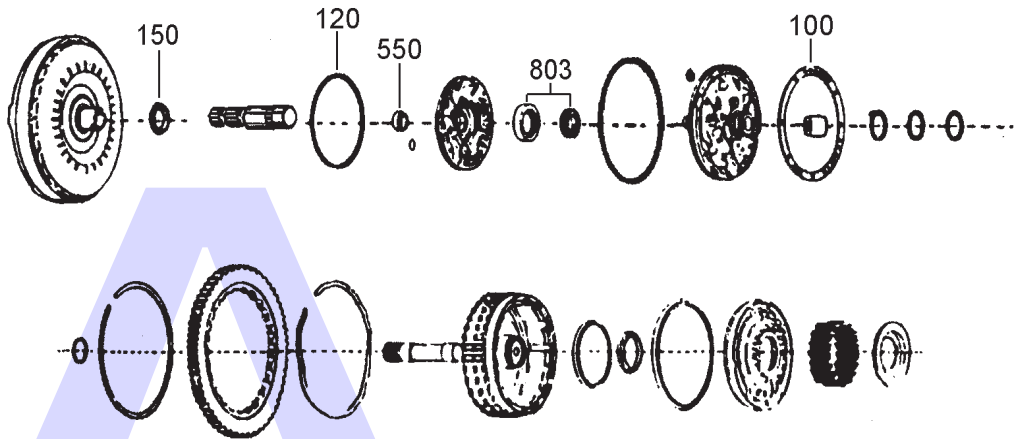


AUTOMATIC CHOICE

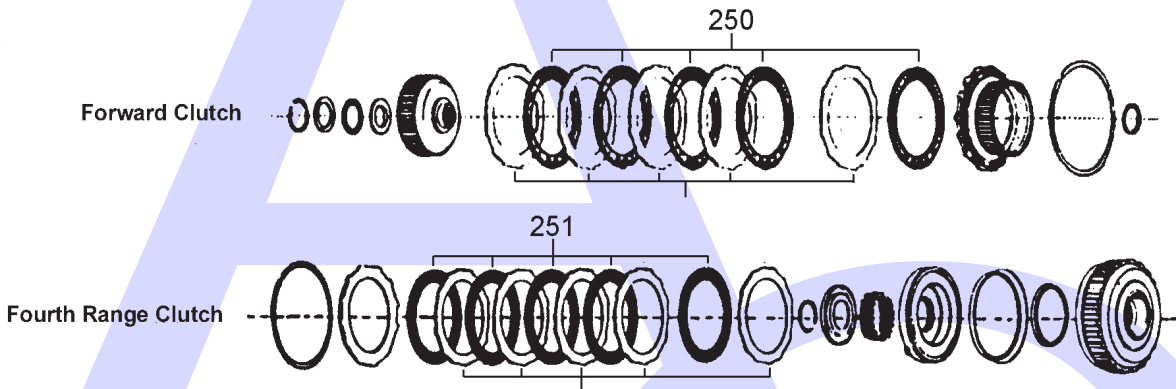


THE AUTOMATIC TRANSMISSION PARTS WAREHOUSE

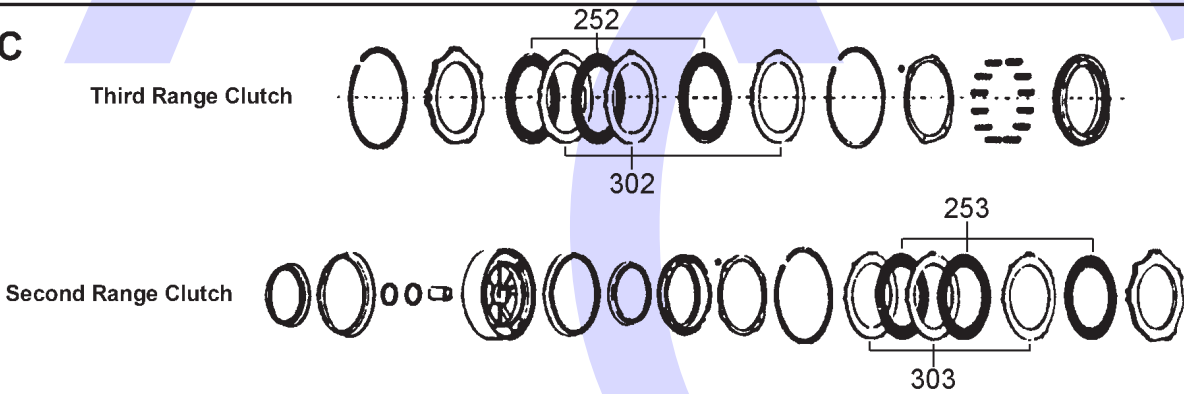
**A**



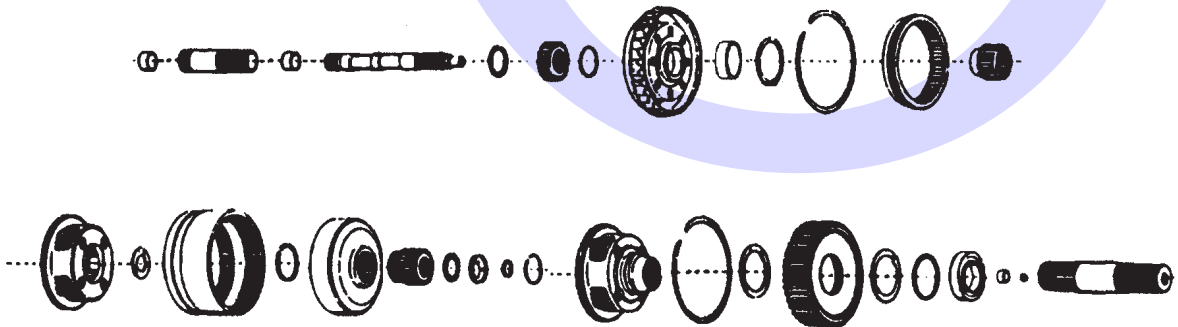
**B**



**C**



**D**



# ALLISON AT540, 542, 543, 545



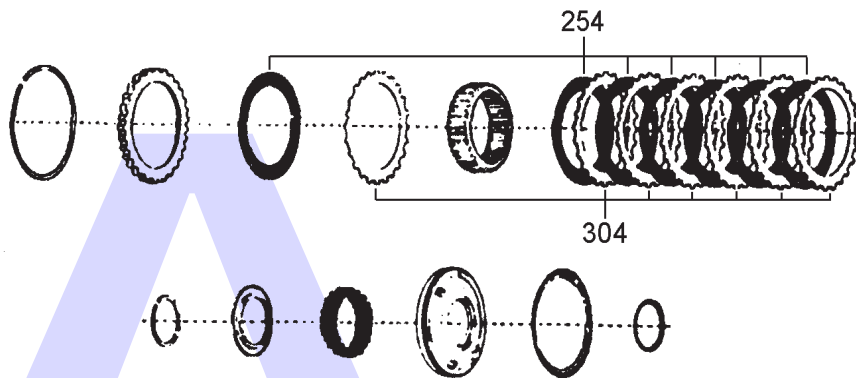
AUTOMATIC CHOICE



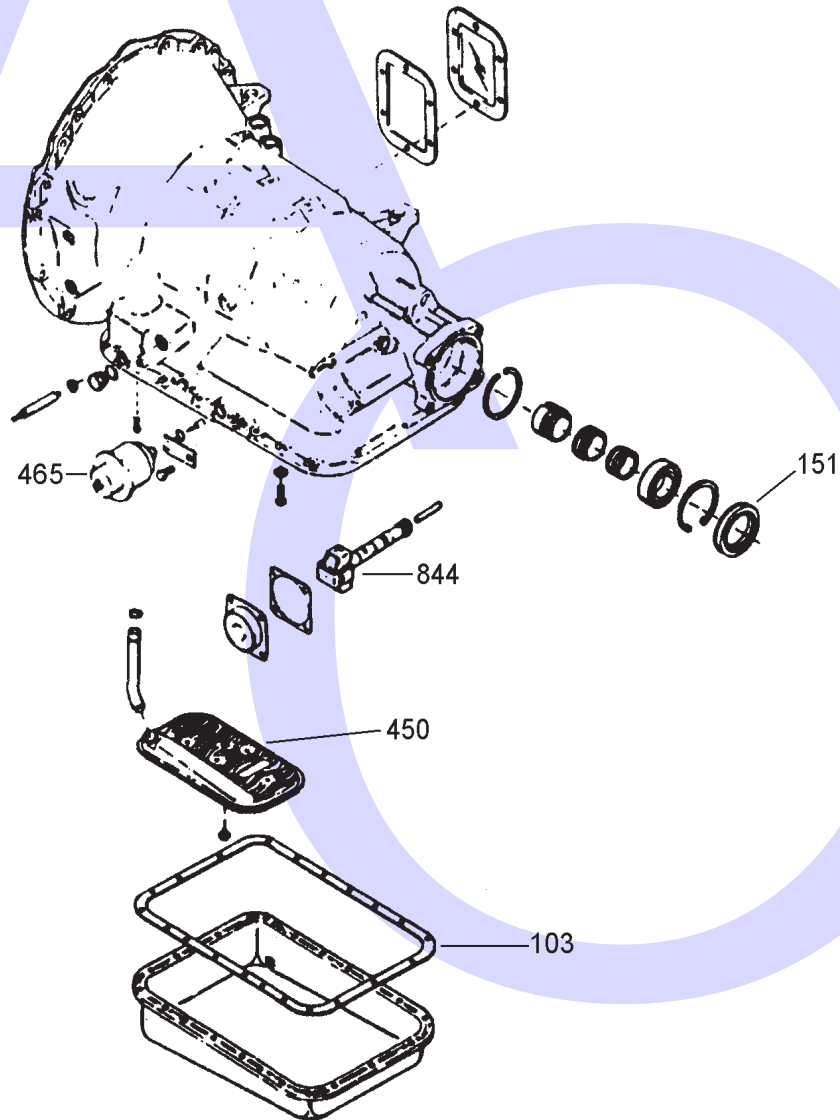
THE AUTOMATIC TRANSMISSION PARTS WAREHOUSE

E

First Range Clutch



F



# ALLISON AT540, 542, 543, 545



AUTOMATIC CHOICE



THE AUTOMATIC TRANSMISSION PARTS WAREHOUSE

ILL NO.	DESCRIPTION	YEARS	QTY	PART NO
<b>KITS</b>				
Kit	Master Overhaul (AT540/545)...	70-ON	1	AT545.MOHK01
Kit	Master Overhaul (AT543 Only) .	70-ON	1	AT545.MOHK02
Kit	Overhaul Kit (Transtec).....	70-ON	1	AT545.OHK01
Kit	Bush Kit.....	70-ON	1	AT545.BK01
<b>GASKETS</b>				
100A	Pump to Case .....	70-ON	1	AT545.GAS02
103F	Pan Gasket (Cork) .....	70-ON	1	AT545.GAS01
103F	Pan Gasket (Duraprene).....	70-ON	1	AT545.GAS10
<b>RUBBER COMPONENTS</b>				
120A	'O' Ring, Pump Body.....	70-ON	1	AT545.OR01
<b>METAL CLAD SEALS</b>				
150A	Converter Seal .....	70-ON	1	TH400.MCS03
151F	Extension Seal .....	70-ON	1	AT545.MCS02
<b>MOULDED PISTONS</b>				
<b>SEALING RINGS</b>				
<b>FRICTION PLATES</b>				
250B	Forward (226mm OD x 42T)....	70-ON	5	TH400.FRP03
251B	Fourth (226mm OD x 42T).....	70-ON	5	TH400.FRP03
252C	Third (231mm OD x 80T).....	70-ON	3	AT545.FRP02
253C	Second (231mm OD x 80T).....	70-ON	3	AT545.FRP02
254E	First (206mm OD x 60T) .....	70-ON	7	AT545.FRP03
<b>STEEL PLATES</b>				
300B	Forward (2.30mm x 12T) .....	70-ON	5	TH400.STP03
301B	Fourth (2.30mm x 12T) .....	70-ON	5	TH400.STP03
302C	Third (2.50mm x 9T) .....	70-ON	3	AT545.STP02
303C	Second (2.50mm x 9T) .....	70-ON	3	AT545.STP02
304E	First (2.50mm x 30T).....	70-ON	7	AT545.STP03
<b>PRESSURE PLATES</b>				
<b>SPRINGS &amp; CIRCLIPS</b>				

ILL NO.	DESCRIPTION	YEARS	QTY	PART NO
<b>FILTERS</b>				
450F	Filter (Flat).....	70-ON	1	AT545.FIL01
450F	Filter (Deep Pan).....	70-ON	1	AT545.FIL02
NI	Spin on Filter (AT545).....	70-ON	1	AT545.Fil03
<b>MODULATORS</b>				
465F	Modulator (AT545) .....	70-ON	1	AT545.MOD01
<b>BANDS</b>				
<b>BUSHINGS</b>				
Kit	Bush Kit (AT540 & Early AT545) (7 Bushings).....	70-ON	1	AT545.BK01
Kit	Bush Kit (Late AT545) (7 Bushings).....	70-ON	1	AT545.BK02
550A	Pump Body (Bronze).....	70-ON	1	AT545.BUS01
550A	Pump Body (PTFE Lined) (Sonnax@ <a href="#">Click here for Info</a> ) .	64-98	1	TH180.BUS02
<b>THRUST WASHERS &amp; BEARINGS</b>				
Kit	Bearing Kit .....	70-ON	1	AT545.TWK02
NI	Thrust Washer (Bronze) (Front Planetary).....	70-ON	12	AT545.THW01
NI	Thrust Washer (Steel) (Front Planetary).....	70-ON	12	AT545.THW02
NI	Thrust Washer (Bronze) (Centre Planetary).....	70-ON	8	AT545.THW03
NI	Thrust Washer (Steel) (Centre Planetary).....	70-ON	8	AT545.THW04
<b>ELECTRICAL COMPONENTS</b>				
<b>VALVE BODY PARTS</b>				
<b>HARD PARTS</b>				
803A	Pump Gear Set (18.415mm Thick) .....	70-ON	1	AT545.PUM03
844F	Governor Assembly (Code #461) (OE Part No. 6885570) .....	70-ON	1	AT545.GOV01
844F	Governor Assembly (Code #462) (OE Part No. 6885571) .....	70-ON	1	AT545.GOV02
<b>SPECIAL ITEMS</b>				
<b>TOOLS &amp; MANUALS</b>				
NI	ATSG Rebuild Manual .....	70-ON		AT545.MAN01