

RENAULT AR4

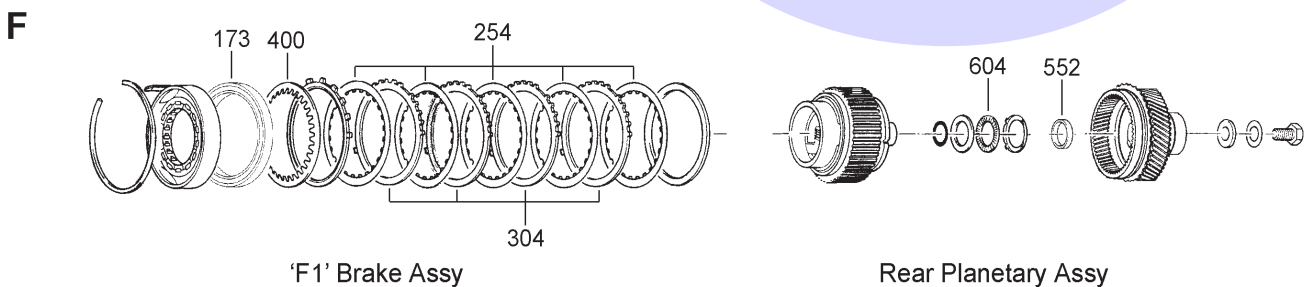
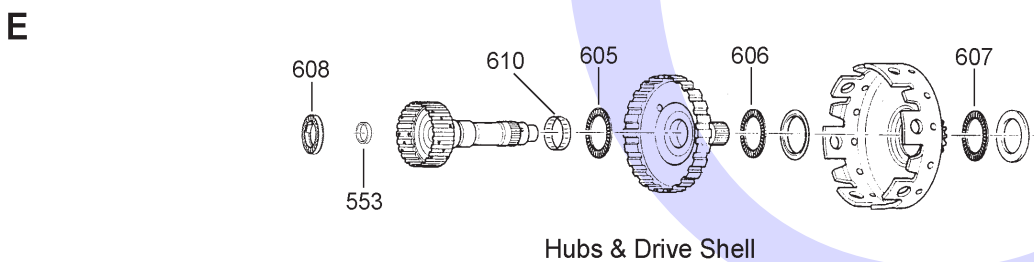
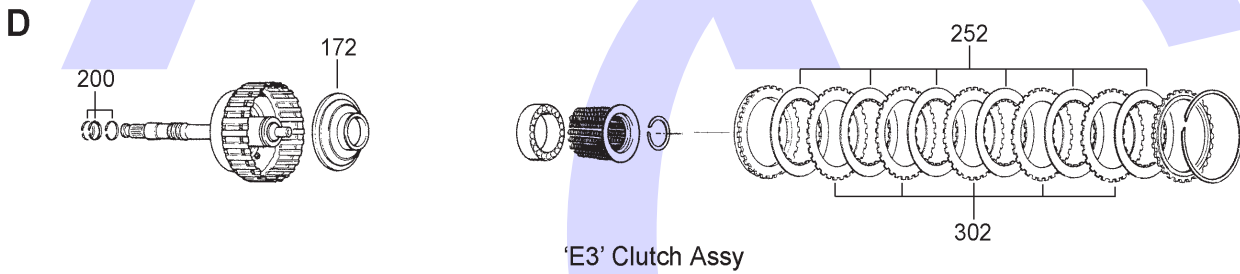
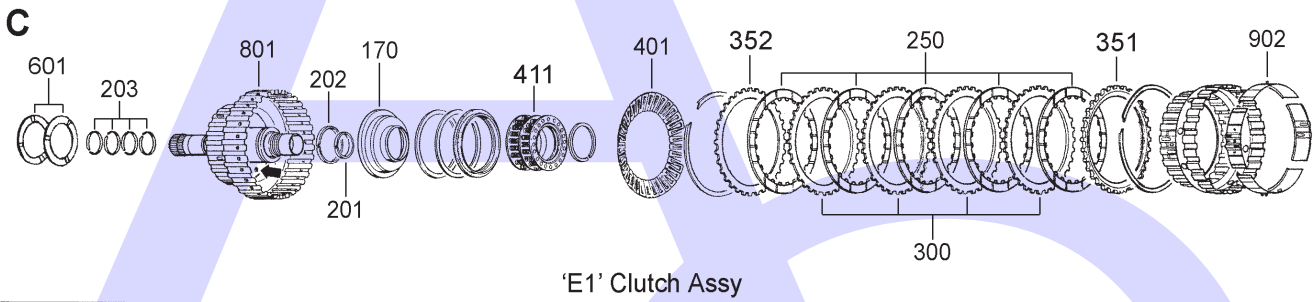
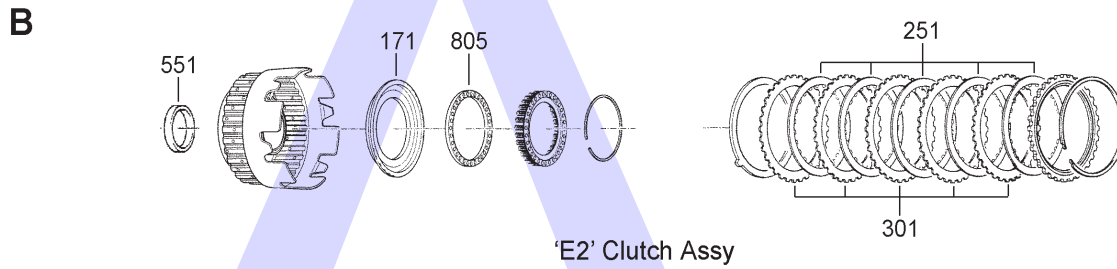
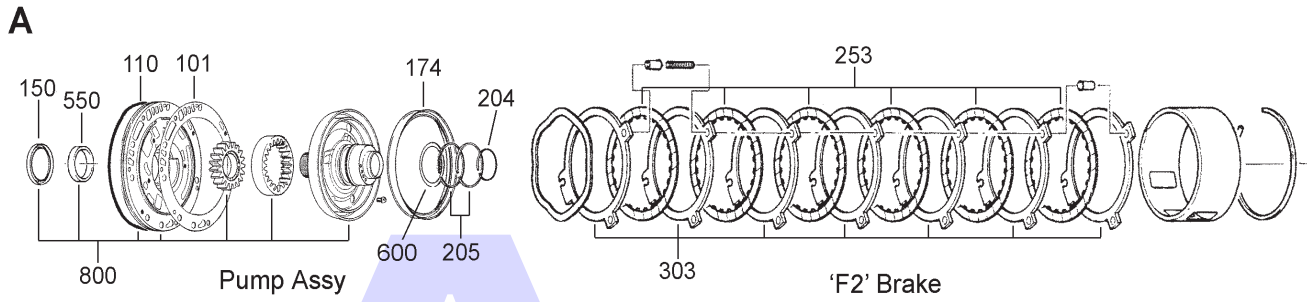
4 SPEED IN LINE FWD (Full Electronic Control)



AUTOMATIC CHOICE



THE AUTOMATIC TRANSMISSION PARTS WAREHOUSE



RENAULT AR4

4 SPEED IN LINE FWD (Full Electronic Control)

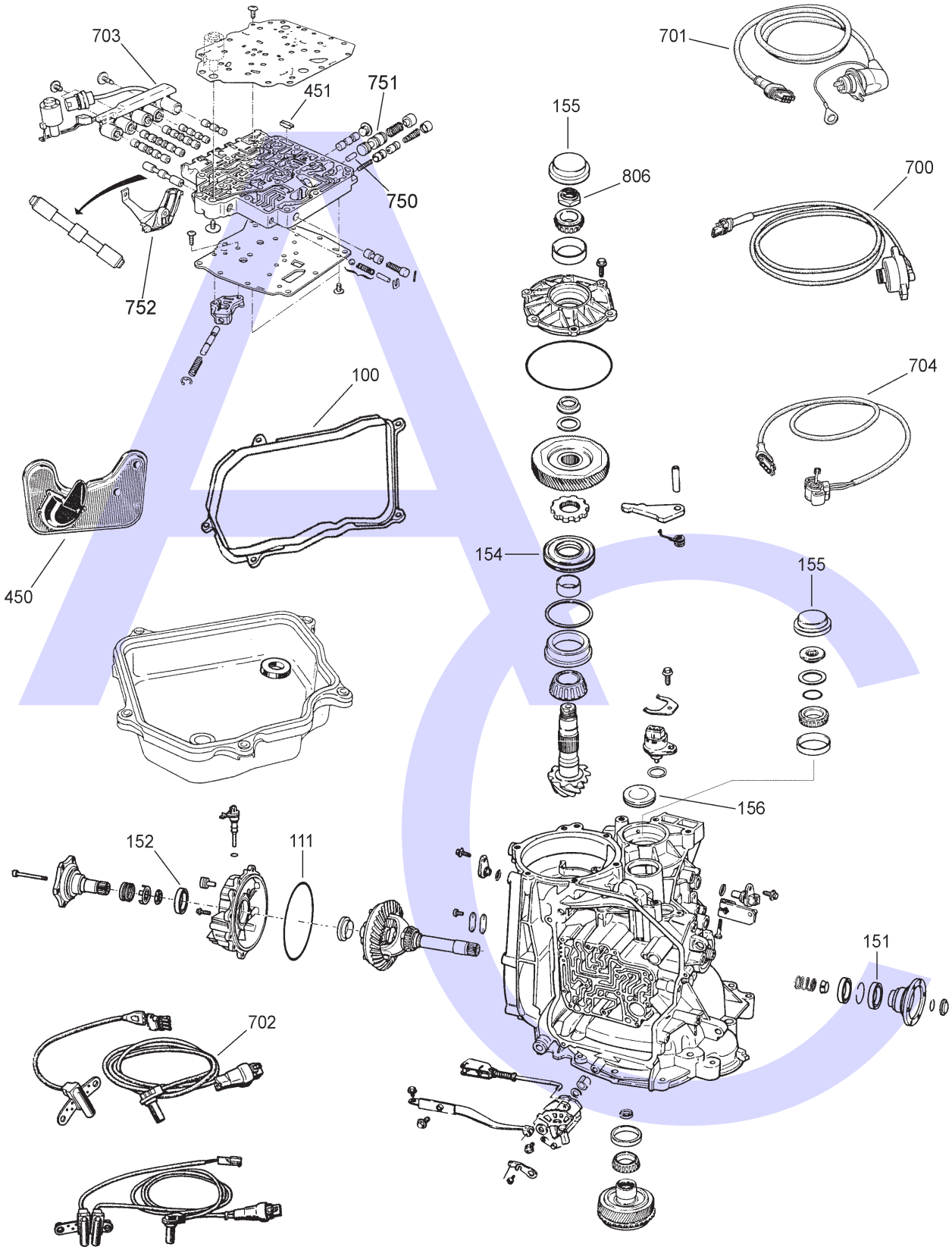


AUTOMATIC CHOICE



THE AUTOMATIC TRANSMISSION PARTS WAREHOUSE

G



Case & Valve Body Components

RENAULT AR4

4 SPEED IN LINE FWD (Full Electronic Control)



AUTOMATIC CHOICE



THE AUTOMATIC TRANSMISSION PARTS WAREHOUSE

ILL NO.	DESCRIPTION	YEARS	QTY	PART NO
KITS				
Kit	Overhaul Kit (Bryco).....	91-ON	1	AR4.OHK01
Kit	Overhaul Kit (Precision).....	91-ON	1	AR4.OHK51
Kit	Overhaul Kit (Transtec).....	91-ON	1	AR4.OHK04
GASKETS				
100G	Pan Gasket	90-ON	1	AR4.GAS01
101A	Pump Gasket (OEM).....	90-ON	1	AR4.GAS02
101A	Pump Gasket (Precision).....	90-ON	1	AR4.GAS22
NI	Filter Gasket.....	90-ON	1	AR4.GAS03
RUBBER COMPONENTS				
Kit	O' Ring Kit.....	90-ON	1	AR4.ORK01
110A	Pump O Ring	90-ON	1	AR4.RO01
111G	'O' Ring Diff Cover	90-ON	1	AR4.OR01
NI	'O' Ring Cooler Union	90-ON	2	AR4.RO08
METAL CLAD SEALS				
150A	Converter Seal.....	90-ON	1	AR4.MCS01
151G	Axle Seal R/H.....	90-ON	1	AR4.MCS02
152G	Axle Seal L/H (45 X 65 X 21.5).....	90-ON	1	AR4.MCS03
153G	Selector shaft Seak.....	90-ON	1	AD4.MCS03
154G	Pinion Seal.....	90-ON	1	AR4.MCS04
155G	End Sealing Cap (Large)	90-ON	2	AR4.CAP01
156G	End Sealing Cap (Small).....	90-ON	1	AR4.CAP02
MOULDED PISTONS				
Kit	Piston Kit (5 Pieces).....	90-ON	1	AR4.PISKIT
170C	'E1' Piston (Modified).....	90-ON	1	AR4.PIS11
171B	'E2' Piston	90-ON	1	AG4.PIS02
171B	'E2' Piston 63mm I/D	90-ON	1	AR4.PIS02
172D	'E3' Piston	90-ON	1	AR4.PIS03
172D	'E3' Piston Early Drum (Use With AG4.SP03).....	90-ON	1	AG4.PIS03
NI	'E3' Spacer Early Drum (Use With AG4.PIS03).....	90-ON	1	AG4.SP03
173F	'F1' Piston	90-ON	1	AG4.PIS04
174A	'F2' Piston	90-ON	1	AR4.PIS05
SEALING RINGS				
Kit	Sealing Ring Kit (Transtec).....	90-ON	1	AR4.SRK01
Kit	Sealing Ring Kit (Bryco).....	90-ON	1	AR4.SRK02
Kit	Sealing Ring Kit (With Accumulator Seals).....	90-ON	1	AR4.SRK03
200D	Turbine Shaft	90-ON	3	AG4.SSR01
201C	Input Shaft Rear (Small)	90-ON	1	AG4.SSR02
202C	Input Shaft Rear (Large)	90-ON	1	AG4.SSR03
203C	Input Shaft Front	90-ON	4	AG4.SSR03
204A	Stator Support Rear	90-ON	1	AG4.SSR04
205A	Stator Support Front	90-ON	2	AG4.SSR05

ILL NO.	DESCRIPTION	YEARS	QTY	PART NO
FRICITION PLATES				
Kit	Friction Plate.....	90-ON	1	AR4.FRK02
Kit	Friction Plate (Alto)	90-ON	1	AR4.FRK51
250C	Forward Clutch ('E1') (122mm OD x 1.60mm x 24T) ..	90-ON	4-5	AR4.FRP11
250C	Forward Clutch ('E1') (Alto) (122mm OD x 1.60mm x 24T) ..	90-ON	4-5	AR4.FRP51
251B	Direct Clutch ('E2') (122mm OD x 1.60mm x 24T) ..	90-ON	4-5	AR4.FRP11
251B	Direct Clutch ('E2') (Alto) (122mm OD x 1.60mm x 24T) ..	90-ON	4-5	AR4.FRP51
252D	3-4 Clutch ('E3') (104mm OD x 1.60mm x 22T) ..	90-ON	6	AR4.FRP15
252D	3-4 Clutch ('E3') (Alto) (104mm OD x 1.60mm x 22T) ..	90-ON	6	AR4.FRP55
253A	2-4 Brake ('F2') (154mm x 1.60mm x 32T).....	90-ON	4-6	AR4.FRP12
253A	2-4 Brake ('F2') (Alto) (154mm x 1.60mm x 32T).....	90-ON	4-6	AR4.FRP52
254F	Low & Reverse Brake ('F1') (146mm OD x 1.60mm x 50T) ..	90-ON	4-5	AR4.FRP13
254F	Low & Reverse Brake ('F1') (Alto) (146mm OD x 1.60mm x 50T) ..	90-ON	4-5	AR4.FRP53
STEEL PLATES				
Kit	Steel Plate (Aftermarket) (With 2.00mm 'E3' Steels).....	90-ON	1	AR4.STK02
Kit	Steel Plate (Aftermarket) (With 1.50mm 'E3' Steels).....	90-ON	1	AR4.STK03
Kit	Steel Plate (Alto).....	90-ON	1	AR4.STK51
300C	Forward Clutch ('E1') (104MM ID x 2.00mm x 32T)	90-ON	4-5	AR4.STP01
300C	Forward Clutch ('E1') (104MM ID x 1.50mm x 32T)	90-ON	4-5	AR4.STP09
301B	Direct Clutch ('E2') (104mm ID x 2.00mm x 32T)	90-ON	4-5	AR4.STP01
302D	3-4 Clutch ('E3') (72mm ID x 1.45mm x 28T)	90-ON	4-6	AR4.STP12
302D	3-4 Clutch ('E3') (72mm ID x 1.60mm x 28T)	90-ON	4-6	AR4.STP05
302D	3-4 Clutch ('E3') (72mm ID x 2.00mm x 28T)	90-ON	4-6	AR4.STP10
303A	2-4 Brake ('F2') (136mm ID x 2.00mm x 3T)	90-ON	AR	AR4.STP02
303A	2-4 Brake ('F2') (136mm ID x 2.15mm x 3T)	90-ON	AR	AR4.STP13
303A	2-4 Brake ('F2') (136mm ID x 2.40mm x 3T)	90-ON	AR	AR4.STP14
303A	2-4 Brake ('F2') (136mm ID x 2.66mm x 3T)	90-ON	AR	AR4.STP15
303A	2-4 Brake ('F2') (136mm ID x 3.50mm x 3T)	90-ON	AR	AR4.STP07
303A	2-4 Brake ('F2') (136mm ID x 3.75mm x 3T)	90-ON	AR	AR4.STP08
304F	Low & Reverse Brake ('F1') (129mm ID x 2.00mm x 12T)	90-ON	4-5	AR4.STP03
PRESSURE PLATES				
351C	Pressure Plate 'E1' Top (STD 5.10mm)	90-ON	1	AR4.PP01
351C	Pressure Plate 'E1' Top (O.S 6.40mm)	90-ON	1	AR4.PP02
352C	Pressure Plate 'E1' Bottom	90-ON	1	AR4.PP03

RENAULT AR4

4 SPEED IN LINE FWD (Full Electronic Control)



AUTOMATIC CHOICE



THE AUTOMATIC TRANSMISSION PARTS WAREHOUSE

ILL NO.	DESCRIPTION	YEARS	QTY	PART NO
SPRINGS & CIRCLIPS				
400F	'F1' Brake Diaphragm Spring....	90-ON	1	AG4.DIA01
401C	'E1' Clutch Diaphragm Spring...	90-ON	1	AR4.DIA01
411C	'E1' Return Spring Assy (Used).	90-ON	1	AR4.SPR01
FILTERS				
Kit	Filter Kit.....	90-ON	1	AR4.FILKIT01
450G	Filter AD4	90-ON	1	AR4.FIL01
451G	Solenoid Filter Oblong (In Valve Body).....	90-ON	1	AR4.FIL02
NI	EVM Filter Round (V. Body-Case).....	90-ON	1	AR4.FIL03
BUSHES & BEARINGS				
Kit	Bush Kit (8 Pieces)	90-ON	1	AD4.BK01
550A	Pump Bush	90-ON	1	AG4.BUS01
551B	Bush 'E2' Drum	90-ON	1	AG4.BUS02
552F	Bush Planetary to O.Shaft	90-ON	1	AG4.BUS03
553E	Bush 'E3' Drum to Hub	90-ON	1	AG4.BUS04
560G	Pinion Bearing.....	90-ON	1	AD4.BE01
THRUST WASHERS & BEARINGS				
600A	Thrust Washer (Pump Stator to 'E2').....	90-ON	1	AR4.THW01
601C	Thrust Washer 'E1' to 'E2' (1.00mm Brown Plastic).....	90-ON	1	AG4.THW01
601C	Thrust Washer 'E1' to 'E2' (1.20mm Green Plastic).....	90-ON	1	AG4.THW02
601C	Thrust Washer 'E1' to 'E2' (1.40mm Natural Plastic)	90-ON	1	AG4.THW03
601C	Thrust Washer 'E1' to 'E2' (1.60mm Black Plastic)	90-ON	1	AG4.THW04
601C	Thrust Washer 'E1' to 'E2' (1.80mm Grey Plastic)	90-ON	1	AG4.THW05
602E	Thrust Bearing assy (Sun Gear to Sun Gear).....	90-ON	1	AR4.BE01
NI	Needle Bearing (Ring Gear to Case 15mm x 30mm x 5.6mm).	90-ON	1	AR4.TOR01
604F	Needle Bearing Assy Planetary to Ring Gear (30.50mm x 49mm x 3.70mm) ..	90-ON	1	AR4.TOR02
605E	Needle Bearing 'E3' Hub to 'E1' Drive Hub (33mm x 47mm x 2mm)	90-ON	1	AR4.TOR03
606E	Needle Bearing 'E1' Drive Hub to Sun Shell (36mm x 53mm x 2mm).....	90-ON	1	AR4.TOR05
607E	Needle Bearing Sun Shell to Planet Sun Gear (27.40mm x 41.30mm x 3.8mm)	90-ON	1	AR4.TOR06
608E	Needle Bearing 'E3' Hub to 'E3' Drum (20mm x 35mm x 6mm)	90-ON	1	AR4.TOR04
NI	Needle Bearing 'E1' Drum to 'E3' Drum (34mm x 48mm x 3.70mm)	90-ON	1	AR4.TOR07
610E	Needle Roller Bearing 'E3 Hub (27mm x 31mm x 10mm)	90-ON	1	AR4.TOR08

ILL NO.	DESCRIPTION	YEARS	QTY	PART NO
ELECTRICAL COMPONENTS				
700G	Pressure Sensor	90-ON	1	AR4.ELE02
701G Multi Function Switch			
90-ON	1			AR4.ELE06
702G	Speed Sensor (Transmission) ..	90-ON	1	AR4.ELE05
702G	Output Speed Sensor (Has Short Wire With Connection, Can be Used to Solder Into Loom On Vehicles With Speed Sensor Hard Wired Into Harness	90-ON	1	AD4.ELE08
703G	Solenoid Set.....	90-ON	1	AR4.SOL01
704G	Throttle Pot 022 Espace (Bendix Electrics).....	90-ON	1	AR4.ELE03
704G	Throttle Pot 022 Espace (Magnetti Marelli Electrics).....	90-ON	1	AR4.ELE04
VALVE BODY PARTS				
Kit	Valve Body Assembly (V6 Engines)	90-ON	1	AR4.VB01
750G	Pressure Regulator Plunger.....	90-ON	1	AR4.VA02
751G	Pressure Regulator Valve	90-ON	1	AR4.VA03
752G	Valve Body Quadrant (Plastic) ..	90-ON	1	AR4.QU01
HARD PARTS				
801C	'E1' Drum Exchange Rebuilt (4 Plate)	90-ON	1	AR4.DRU31
801C	'E1' Drum Exchange Rebuilt (5 Plate)	90-ON	1	AR4.DRU32
NI	Speed Sensor Ring (Replaces Damaged or Loose).	90-ON	1	AR4.SEN01
805B	'E2' Clutch Piston Return Spring Locator....	90-ON	1	AR4.RET02
NI	Filter Screw	90-ON	3	AR4.NUT01
806G	Pinion Shaft Nut.....	90-ON	1	AR4.NUT02
SPECIAL ITEMS				
NI	Cooler Bleed Back Valve	90-ON	1	AR4.VA01
902C	'E1' Clutch Support Ring (Bryco) (Plastic 4 Per Transmission)	90-ON	4	AR4.RET01
	902C			'E1' Clutch Support Ring
	(Transtec)			
	(Plastic 4 Per Transmission)	90-ON	4	AR4.RET03
NI	Low & Reverse Sealing Tube Under Valve Body)	90-ON	1	AR4.TU01
TOOLS & MANUALS				
NI	Pressure Take Off Adaptor	90-ON		AR4.TOOL01
NI	BVi Tester (Tests valve body electrics & can be used to replace valve body in the electrical chain)	90-on		AR4.TOOL02
NI	Manual OEM Technical Info	90-ON		AD4.MAN01