

FORD AOD (FIOD)

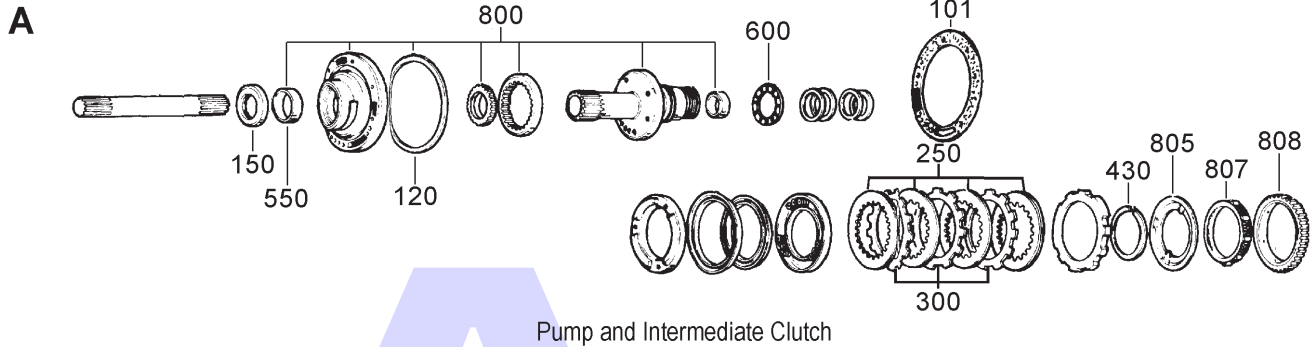
4 SPEED RWD (Hydraulic Control)



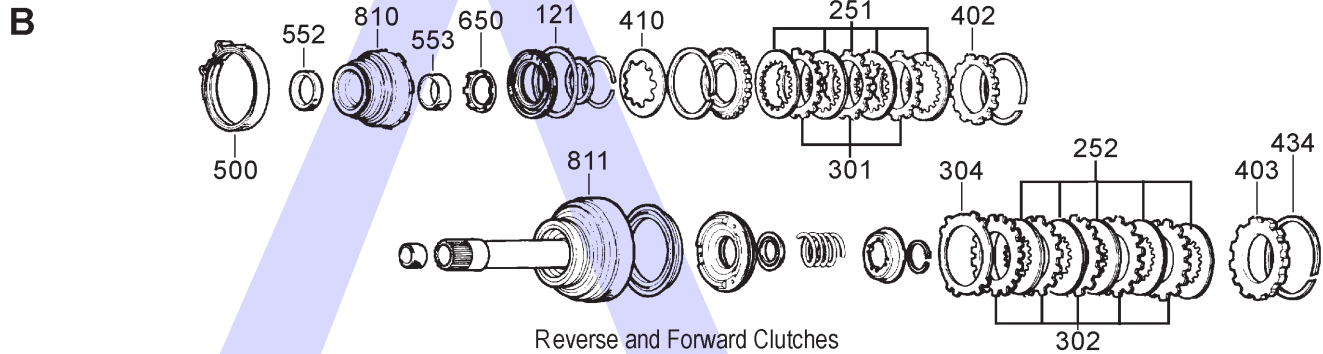
AUTOMATIC CHOICE



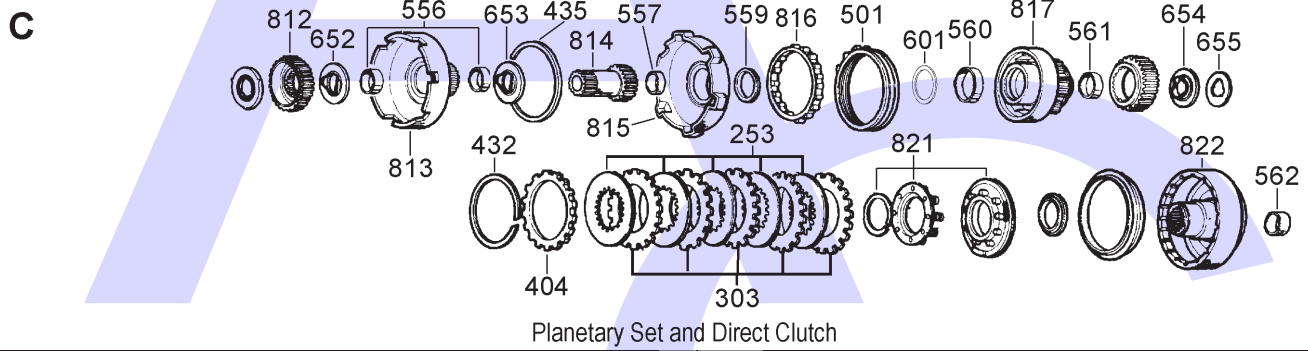
THE AUTOMATIC TRANSMISSION PARTS WAREHOUSE



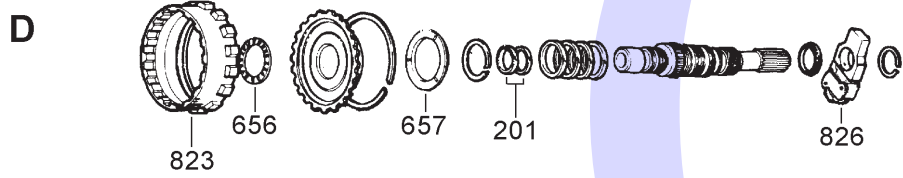
Pump and Intermediate Clutch



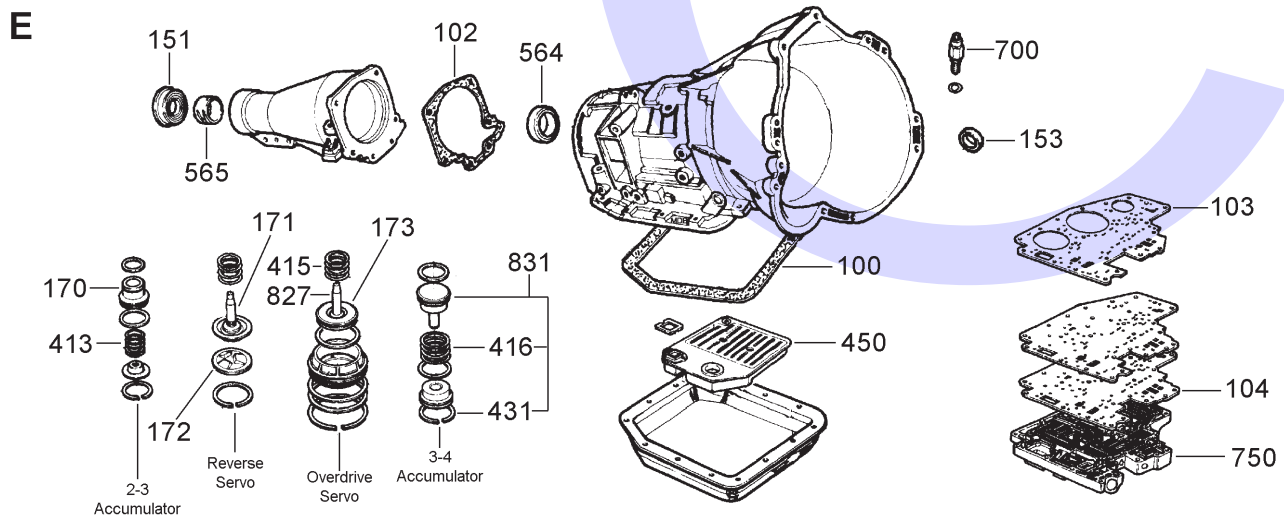
Reverse and Forward Clutches



Planetary Set and Direct Clutch



Output Shaft and Cover



Casing, Valve Body, Servo's and Accumulators

FORD AOD (FIOD) 4 SPEED RWD (Hydraulic Control)



AUTOMATIC CHOICE



THE AUTOMATIC TRANSMISSION PARTS WAREHOUSE

ILL NO.	DESCRIPTION	YEARS	QTY	PART NO
KITS				
Kit	Master Overhaul	80-93	1	AOD.MOHK01
Kit	Overhaul Kit (Transtec).....	80-93	1	AOD.OHK01
Kit	Overhaul Kit (Precision).....	80-93	1	AOD.OHK51
GASKETS				
100E	Pan Gasket AOD.....	80-93	1	AOD.GAS01
101A	Pump Gasket	80-93	1	AOD.GAS02
102E	Extension Housing Gasket.....	80-93	1	AOD.GAS03
103E	Upper Valve Body Gasket.....	80-93	1	AOD.GAS05
104E	Lower Valve Body Gasket.....	80-89	1	AOD.GAS04
RUBBER COMPONENTS				
120A	Outer Pump 'O' Ring	80-93	1	AOD.OR01
121B	Fwd Clutch Cushion Rubber.....	80-ON	1	AOD.RUB01
METAL CLAD SEALS				
150A	Pump Seal (With Flange).....	80-93	1	TH400.MCS02
150A	Pump Seal (Alum Pump)	91-93	1	AODE.MCS01
151E	Extension Seal (No Boot).....	80-93	1	TH700.MCS02
151E	Extension Seal (With Boot).....	80-93	1	C4.MCS02
153E	Manual Control Lever.....	80-93	1	C3.MCS03
MOULDED PISTONS & ACCUMULATORS				
170E	2-3 Accumulator Piston (Moulded Rubber)	83-93	1	AOD.ACC01
170E	2-3 Accumulator Piston & Sleeve Kit (Sonnax@ Click here for Info) ...	83-93	1	AODE.ACC02
171E	Reverse Servo Piston (1 Groove).....	80-93	1	AOD.SER01
	(2 Groove).....	80-93	1	AOD.SER02
	(3 Groove).....	80-93	1	AOD.SER03
172E	Reverse Servo Cover.....	80-93	1	AOD.SER04
173E	Overdrive Servo Piston (Casting Letter A) 68.95mm ID .	80-93	1	AODE.SER01
173E	Overdrive Servo Piston (Casting Letter B) 63.25mm ID .	80-93	1	AODE.SER04
173E	Overdrive Servo Piston (Casting Letter C).....	80-93	1	AOD.SER08
NI	Overdrive Servo Cover ('A' Stamp for 68.95mm Piston)	80-93	1	AODE.COV03
SHAFT SEALING RINGS				
201D	Turbine Shaft to Direct Clutch (Solid Teflon).....	80-93	2	AOD.SSR01
FRICTION PLATES				
Kit	Friction Plate	80-85	1	AOD.FRK01
Kit	Friction Plate	85-93	1	AOD.FRK02
Kit	Friction Plate (Alto Combo).....	80-90	1	AOD.FRK51
Kit	Friction Plate (Alto)	90-93	1	AOD.FRK52
250A	Intermediate (179.6mm OD x 2.00mm x 60T)	80-93	3	AOD.FRP01
251B	Reverse (133.3mm OD x 2.00mm x 45T)	80-L83	4	AOD.FRP02
251B	Reverse (Alto) (133.3mm OD x 2.00mm x 45T)	80-L83	4	AOD.FRP52

ILL NO.	DESCRIPTION	YEARS	QTY	PART NO
FRICTION PLATES Cont...				
251B	Reverse (133.3mm OD x 1.63mm x 45T) L83-93	80-93	5	AOD.FRP03
252B	Forward (Use With Cast Iron Drum) (133.3mm OD x 1.63mm x 45T)	80-93	5	AOD.FRP03
252B	Forward (Use With Stamped Steel Drum) (136mm OD x 1.63mm x 45T) ..	90-93	5	AOD.FRP06
253C	Direct (118.1mm OD x 2.00mm x 42T)	80-93	5-6	AOD.FRP05
STEEL PLATES				
Kit	Steel Plate.....	80-93	1	AOD.STK01
Kit	Steel Plate (Alto).....	80-90	1	AOD.STK51
Kit	Steel Plate (Alto) (With Grob Steels)	90-93	1	AOD.STK52
Kit	Steel Plate (Alto) (Combo)	90-93	1	AOD.STK53
300A	Intermediate (149mm ID x 1.68mm - 1.80mm x 18T).....	80-93	3	AOD.STP01
300A	Intermediate (149mm ID x 1.96mm - 2.06mm x 18T).....	80-93	1	AOD.STP02
300A	Intermediate (149mm ID x 2.21mm - 2.31mm x 18T).....	80-93	1	AOD.STP03
300A	Intermediate (149mm ID x 2.46mm - 2.57mm x 18T).....	80-93	1	AOD.STP04
301B	Reverse (Use With Cast Iron Drum) (99.30mm ID x 1.70mm x 54T) .	80-93	4	BW12.STP01
301B	Reverse (Use With Stamped Steel Drum) (99.06mm IDx1.75mmx32/34T)	91-93	3	AOD.STP07
302B	Forward (Use With Cast Iron Drum) (99.30mm ID x 1.70mm x 54T) .	80-93	4	BW12.STP01
31B	Forward (Use With Stamped Steel Drum) (99.06mm ID x 1.78mm x 34T) .	90-93	5	AOD.STP10
303C	Direct (Use With Cast Iron Drum) (92.96mm ID x 1.78mm x 28T) .	80-93	6	AOD.STP08
303C	Direct (Use With Stamped Steel Drum) (92.96mm ID x 1.73mm x 34T) .	91-93	6	AOD.STP09
303C	Direct (Thin High Capacity) (Use With Cast Iron Drum)	80-93	8	AOD.STP12
304B	Forward Waved Cushion (21T) .	90-93	1	AOD.STP14
PRESSURE PLATES				
402B	Reverse.....	90-93	1	AOD.PP03
403B	Forward (Use With Stamped Steel Drum) (34Teeth).....	90-93	1	AOD.PP02
404C	Direct (Use With Cast Iron Drum) (28Teeth).....	80-93	1	AOD.PP01
SPRINGS & CIRCLIPS				
Kit	Snap Ring Kit	80-93	1	NLA
410B	Reverse Clutch Diaphragm Spring.....	80-93	1	AOD.DIA01
413E	2-3 Accumulator Spring (27.30mm Dia. Purple).....	80-93	1	AOD.SPR05
415E	Spring, 'A' Overdrive Servo (Sonnax@ Click here for Info) ...	80-93	1	AOD.SPR08
416E	3-4 Accumulator Spring (20mm x 48mm).....	80-93	1	AOD.SPR07
416E	3-4 Accumulator Spring (27.30mm Dia. Purple).....	80-93	1	AOD.SPR05
NI	Anti Clunk Spring (Centre Support)	80-93	1	AOD.SPR01

FORD AOD (FIOD)

4 SPEED RWD (Hydraulic Control)



AUTOMATIC CHOICE



THE AUTOMATIC TRANSMISSION PARTS WAREHOUSE

ILL NO.	DESCRIPTION	YEARS	QTY	PART NO
SPRINGS & CIRCLIPS Cont...				
NI	Spring & Ball Assy Stator (Cooler Bypass)	80-93	1	AOD.SPR02
430A	Circlip - Retaining Int OWC (Modified Spiral 3 Pack).....	80-93	1	AOD.CIR01
430A	Circlip - Retaining Int OWC (OEM)	80-93	1	AOD.CIR03
431E	Circlip - Retaining (3-4 Accumulator Spiral)	80-93	1	AOD.CIR02
432C	Circlip - Retaining Direct Clutch Pack (1.52mm - 1.63mm)	80-93	AR	C4.CIR01
	(2.24mm - 2.34mm)	80-93	AR	C4.CIR02
	(2.54mm - 2.69mm)	80-93	AR	C4.CIR03
434B	Circlip, Forward Clutch.....	80-93	1	AOD.CIR07
435C	Circlip, Centre Support.....	80-93	1	AOD.CIR09
FILTERS				
450E	Filter (2WD).....	80-93	1	AOD.FIL01
450E	Filter (4WD W/Sump Tube).....	84-93	1	AOD.FIL02
NI	Governor Filter	80-93	1	AOD.FIL03
BANDS				
500B	Overdrive Band (38mm Wide) ..	80-93	1	AOD.BAN01
501C	Reverse Band	80-93	1	AOD.BAN02
BUSHES				
Kit	Bush Kit.....	80-93	1	AODE.BK01
550A	Front Pump Bush	80-93	1	C6.BUS01
552B	Reverse Drum (Front).....	80-93	1	AOD.BUS10
553B	Reverse Drum (Rear).....	80-93	1	AOD.BUS11
556C	Drive Shell/Sun Gear	80-93	2	AOD.BUS08
557C	Forward Sun Gear	80-93	1	AOD.BUS02
559C	Planet Support (Installs in Centre Support)	80-93	1	AOD.BUS03
560C	Rear Planetary Bush Front (Large)	80-93	1	AOD.BUS04
561C	Rear Planetary Bush Rear (Small Brass With 2 Grooves)...	80-93	1	AOD.BUS07
562C	Direct Drum (Use With Stamped Steel Drum) (With Oil Feed Holes).....	90-93	1	AOD.BUS05
564E	Rear Case Bush.....	90-93	1	AOD.BUS06
565E	Extension Bush	80-93	1	C4.BUS02
NI	Repair Sleeve, Servo Pin Bore Requires Tool AOD.BUS14 and Universal Fixture TOOL.229 (Sonnax@ Click here for Info) ...	80-93	1	AOD.BUS13
Kit	Toolkit for AOD.BUS13.....	80-93	1	AOD.BUS14
THRUST WASHERS & BEARINGS				
Kit	Thrust Washer Kit (Selective Stator to Rev. Drum)	80-93	1	AOD.TWK01
Kit	Thrust Bearing Kit	80-93	1	AOD.TWK02
600A	Thrust Washer Selective (Stator Support to Reverse Drum) # 1 (1.32mm Green)	80-93	AR	AOD.THW01
	# 2 (1.78mm Yellow)	80-93	AR	AOD.THW02
	# 3 (2.21mm Tan)	80-93	AR	AOD.THW03
	# 4 (2.64mm Red)	80-93	AR	AOD.THW04
	# 5 (3.07mm Blue)	80-93	AR	AOD.THW05
601C	Thrust Washer, Rear Planet (Bronze Bearing Replacement)	80-93	1	AOD.THW15

ILL NO.	DESCRIPTION	YEARS	QTY	PART NO
THRUST WASHERS & BEARINGS Cont...				
650B	Bearing Forward Clutch Cylinder to Rev Drum Thrust (6 tang)	80-93	1	AOD.THW07
652C	Bearing Fwd Clutch Hub R	80-93	1	AOD.THW11
653C	Forward Sun gear to Reverse Sun gear Bearing.....	80-93	1	AOD.THW11
654C	Planet to Direct Drum Bearing ..	80-93	1	AOD.THW06
655C	Planet to Direct Drum Spacer ..	80-93	1	AOD.THW10
656D	Bearing Direct Clutch Rear (Open Face Bearing)	80-93	1	AOD.THW08
656D	Bearing Direct Clutch Rear (3 Element Bearing)	91-93	1	AODE.THW09
657K	Output Hub to Case Bearing.....	80-93	1	AOD.THW14
ELECTRICAL COMPONENTS				
700E	Inhibitor Switch.....	80-95	1	CTX.INH02
VALVE BODY COMPONENTS				
Kit	Shift Kit (TranGo)	80-93	1	AOD.SK01
750E	Rebuilt Valve Body	89-93	1	AOD.VB01
NI	Valve Body End Plug Kit	80-93	1	AOD.VA01
NI	Boost Valve & Sleeve Kit	80-93	1	AOD.VA02
NI	Throttle Valve Plug & Sleeve Kit.....	80-93	1	AOD.VA03
NI	Oversized 1-2 Capacity Modulator Valve Kit (Requires AOD.TOOL05 to Fit)	80-93	1	AOD.VA04
NI	Small Valve Body End Plug Kit (Fitted With Rubber 'O' Rings) ..	80-93	1	AOD.VA05
NI	Medium Valve Body End Plug Kit (Fitted With Rubber 'O' Rings) ..	80-93	1	AOD.VA06
NI	Large Valve Body End Plug Kit (Fitted With Rubber 'O' Rings) ..	80-93	1	AOD.VA07
NI	Governor Circuit End Plug Kit... ..	80-83	1	AOD.VA08
NI	Governor Circuit End Plug Kit... ..	83-93	1	AOD.VA09
NI	Over size Throttle Valve Plunger (Requires AOD.TOOL06 to Fit)	80-93	1	AOD.VA10
NI	Boost Valve & Sleeve Kit	80-93	1	AOD.VA11
HARD PARTS				
800A	Pump Assy	80-93	1	AOD.PUM01
805A	Retainer - Intermediate OWC (7 Roller Type)	80-93	1	AOD.RET01
807A	Intermediate Roller Clutch (7 Roller Green)	80-93	1	AODE.OWC01
808A	Intermediate Roller Clutch Outer Race (7 Roller Green).....	80-93	1	AOD.OWC02
810B	Reverse Drum (3 Plate Washer Type)	80-88	1	AOD.DRU01
810B	Reverse Drum (3 Plate Bearing Type)	80-93	1	AOD.DRU04
810B	Reverse Drum (4 Plate Bearing Type)	80-91	1	AOD.DRU02
811B	Forward Drum & Sft Assy (3 Plate)	80-93	1	AOD.DRU05
812C	Forward Hub	80-93	1	AOD.DRU06
813C	Drive Shell & Sun Gear.....	80-93	1	AOD.POT01
814C	Forward Sun Gear (30 Tooth) ...	80-93	1	AOD.SUN01
815C	Centre Support.....	80-93	1	AOD.SUP01
816C	Low Roller Clutch.....	80-ON	1	TH400.OWC01
817C	Planetary Assy (2nd Design).....	80-93	1	AOD.PL01
621C	Piston Kit, Direct Clutch (Return Spring, Piston & Retainer)	80-93	1	AOD.SPR04

