

# RENAULT AD4

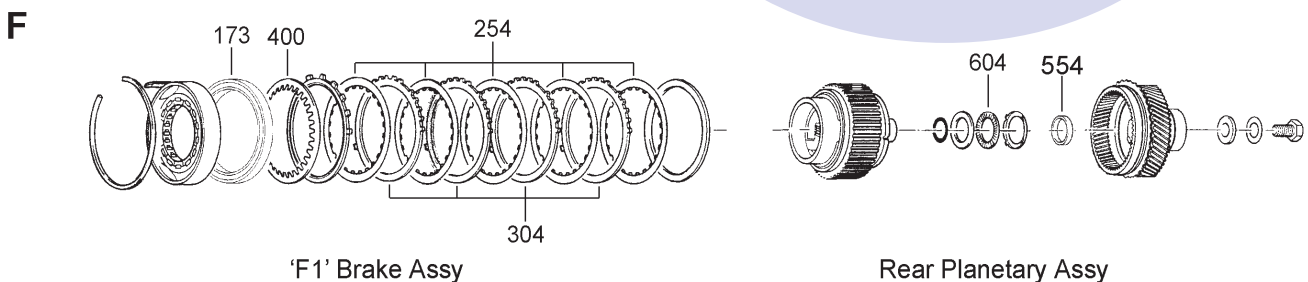
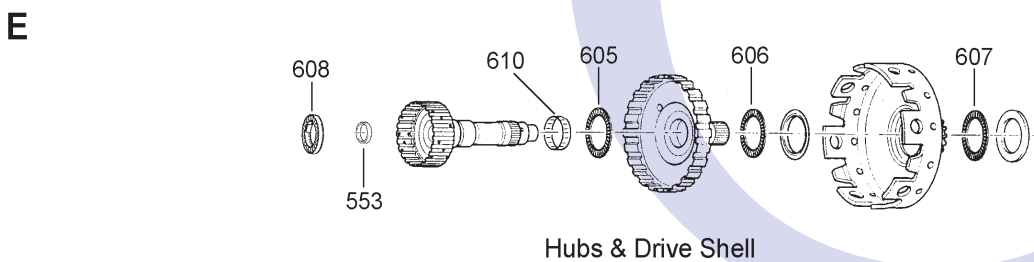
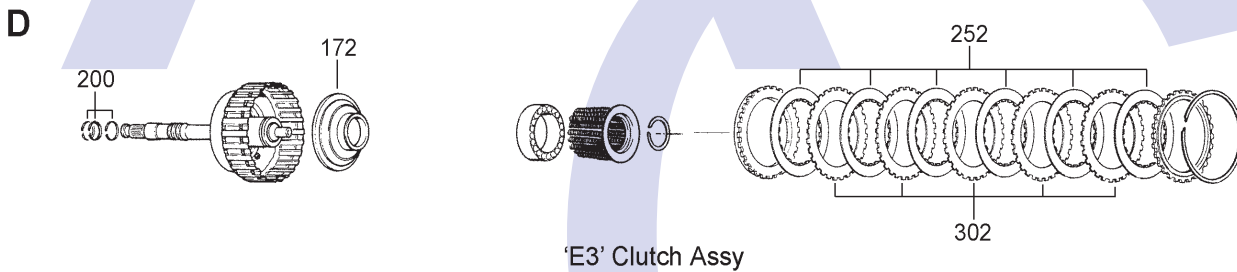
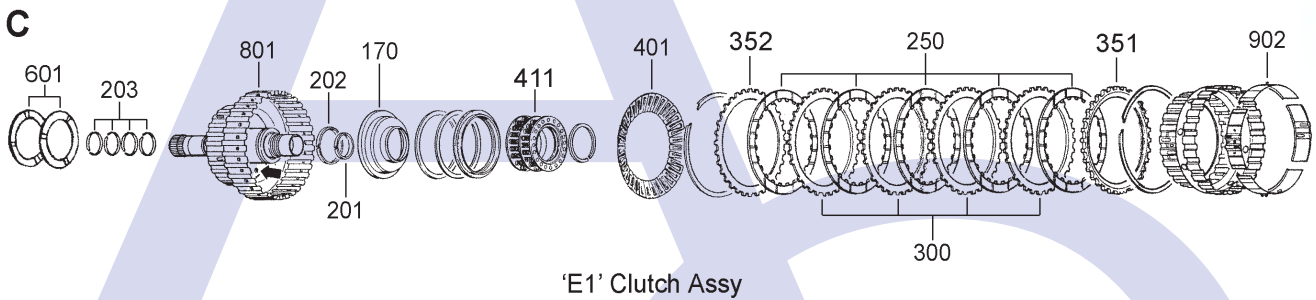
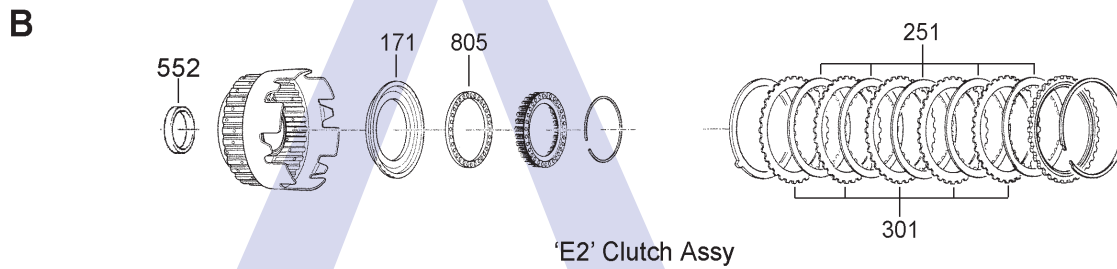
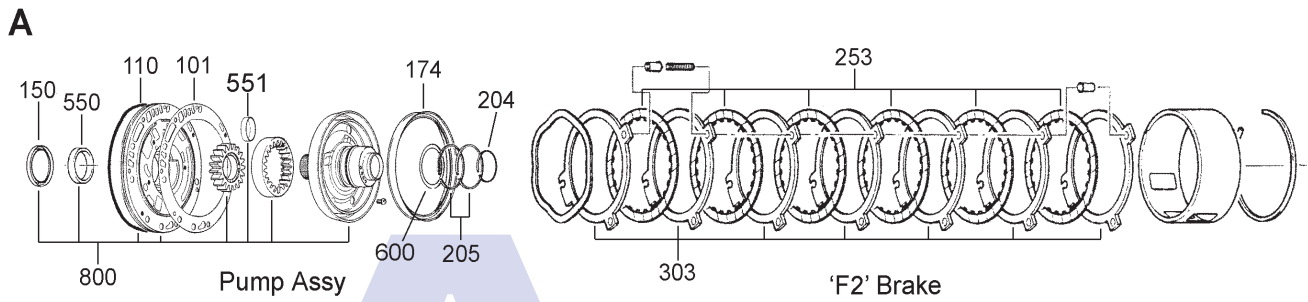
## 4 SPEED FWD (Full Electronic Control)



AUTOMATIC CHOICE



THE AUTOMATIC TRANSMISSION PARTS WAREHOUSE



# RENAULT AD4

## 4 SPEED FWD (Full Electronic Control)

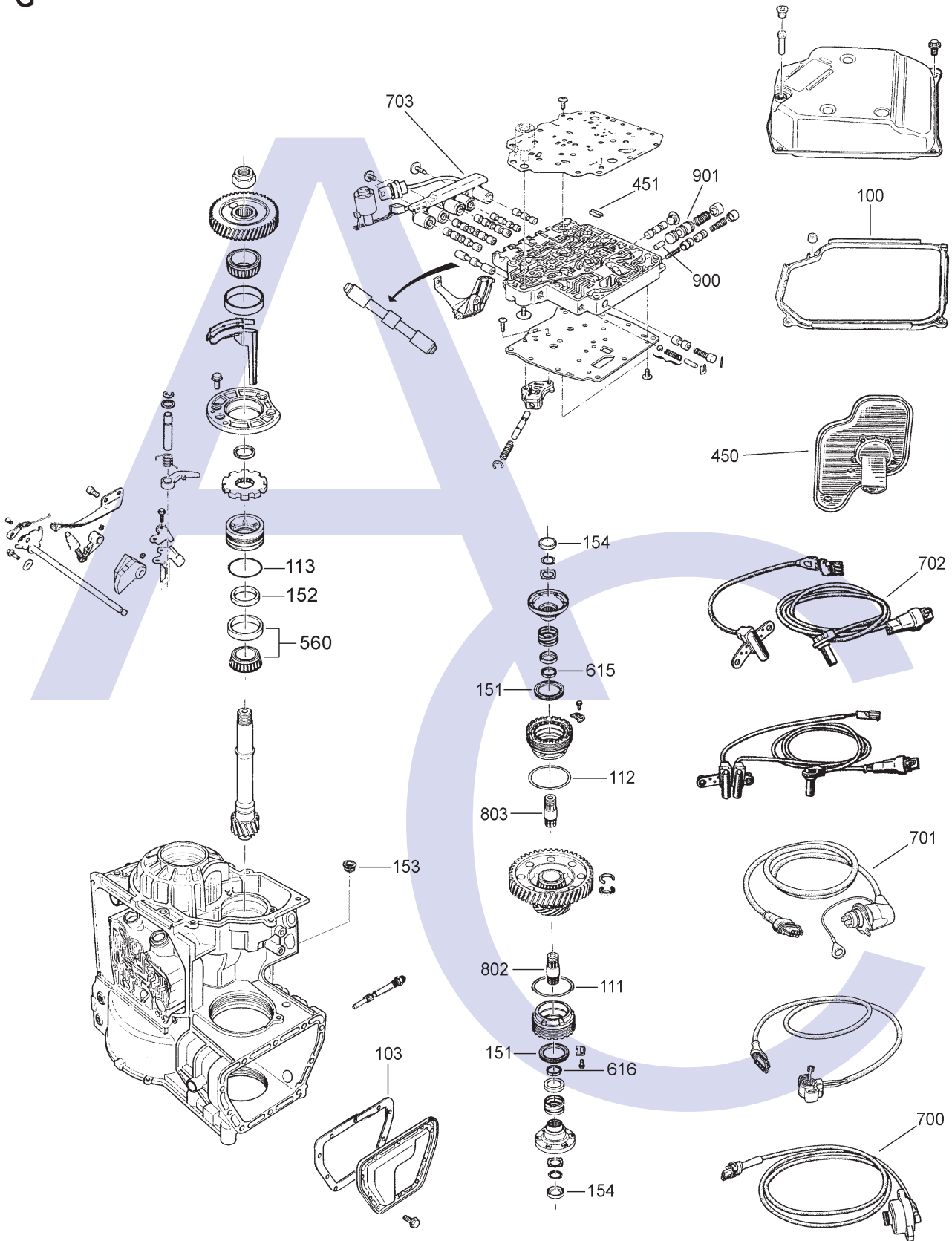


AUTOMATIC CHOICE



THE AUTOMATIC TRANSMISSION PARTS WAREHOUSE

G



Case Valve Body & Diff Components

# RENAULT AD4

## 4 SPEED FWD (Full Electronic Control)



AUTOMATIC CHOICE



THE AUTOMATIC TRANSMISSION PARTS WAREHOUSE

ILL NO.	DESCRIPTION	YEARS	QTY	PART NO
<b>KITS</b>				
Kit	Overhaul Kit (Bryco).....	91-ON	1	<b>AD4.OHK02</b>
Kit	Overhaul Kit (Precision).....	91-ON	1	<b>AD4.OHK51</b>
Kit	Overhaul Kit (Transtec).....	91-ON	1	<b>AD4.OHK04</b>
<b>GASKETS</b>				
100G	Pan Gasket .....	90-ON	1	<b>AD4.GAS01</b>
101A	Pump Gasket (OEM).....	90-ON	1	<b>AD4.GAS02</b>
101A	Pump Gasket (Precision).....	90-ON	1	<b>AD4.GAS22</b>
NI	Rear Cover Gasket .....	90-ON	1	<b>AD4.GAS03</b>
103G	Side Cover Gasket (Diff).....	90-ON	1	<b>AD4.GAS04</b>
<b>RUBBER COMPONENTS</b>				
Kit	O' Ring Kit.....	90-ON	1	<b>AR4.ORK01</b>
110A	Pump O Ring .....	90-ON	1	<b>AR4.OR01</b>
111G	'O' Ring Diff Seal Carrier (92mm x 3mm).....	90-ON	1	<b>AD4.OR02</b>
112G	'O' Ring Diff Seal Carrier (98mm x 3mm).....	90-ON	1	<b>AD4.OR03</b>
113G	'O' Ring Pinion Seal Carrier .....	90-ON	1	<b>AD4.OR04</b>
NI	Filter Gasket.....	90-ON	1	<b>AR4.GAS03</b>
NI	'O' Ring Cooler Union .....	90-ON	2	<b>AR4.OR08</b>
<b>METAL CLAD SEALS</b>				
150A	Converter Seal.....	90-ON	1	<b>AR4.MCS01</b>
151G	Axle Seal (50mm x 65mm x 10mm).....	90-ON	2	<b>AD4.MCS02</b>
153G	Selector shaft Seak.....	90-ON	1	<b>AD4.MCS03</b>
152G	Pinion Seal (34.75mm x 50mm x 7mm).....	90-ON	1	<b>AD4.MCS04</b>
154G	Drive Shaft End Plug.....	90-ON	2	<b>AD4.MCS05</b>
<b>MOULDED PISTONS</b>				
Kit	Piston Kit (5 Pieces).....	90-ON	1	<b>AR4.PISKIT</b>
170C	'E1' Piston (Modified) .....	90-ON	1	<b>AR4.PIS11</b>
171B	'E2' Piston .....	90-ON	1	<b>AG4.PIS02</b>
171B	'E2' Piston 63mm I/D .....	90-ON	1	<b>AR4.PIS02</b>
172D	'E3' Piston .....	90-ON	1	<b>AR4.PIS03</b>
172D	'E3' Piston Early Drum (Use With AG4.SP03) .....	90-ON	1	<b>AG4.PIS03</b>
NI	'E3' Spacer Early Drum (Use With AG4.PIS03) .....	90-ON	1	<b>AG4.SP03</b>
173F	'F1' Piston .....	90-ON	1	<b>AG4.PIS04</b>
174A	'F2' Piston .....	90-ON	1	<b>AR4.PIS05</b>
<b>SEALING RINGS</b>				
Kit	Sealing Ring Kit (Transtec).....	90-ON	1	<b>AR4.SRK01</b>
Kit	Sealing Ring Kit (Bryco).....	90-ON	1	<b>AR4.SRK02</b>
Kit	Sealing Ring Kit (With Accumulator Seals).....	90-ON	1	<b>AR4.SRK03</b>
200D	Turbine Shaft .....	90-ON	3	<b>AG4.SSR01</b>
201C	Input Shaft Rear (Small) .....	90-ON	1	<b>AG4.SSR02</b>
202C	Input Shaft Rear (Large) .....	90-ON	1	<b>AG4.SSR03</b>
203C	Input Shaft Front .....	90-ON	4	<b>AG4.SSR03</b>
204A	Stator Support Rear .....	90-ON	1	<b>AG4.SSR04</b>
205A	Stator Support Front .....	90-ON	2	<b>AG4.SSR05</b>

ILL NO.	DESCRIPTION	YEARS	QTY	PART NO
<b>FRICITION PLATES</b>				
Kit	Friction Plate (Borg Warner) ....	90-ON	1	<b>AR4.FRK02</b>
Kit	Friction Plate (Alto) .....	90-ON	1	<b>AD4.FRK51</b>
250C	Forward Clutch ('E1') (122mm OD x 1.60mm x 24T) ..	90-ON	4-5	<b>AR4.FRP11</b>
250C	Forward Clutch ('E1') (Alto) (122mm OD x 1.60mm x 24T) ..	90-ON	4-5	<b>AR4.FRP51</b>
251B	Direct Clutch ('E2') (122mm OD x 1.60mm x 24T) ..	90-ON	4-5	<b>AR4.FRP11</b>
251B	Direct Clutch ('E2') (Alto) (122mm OD x 1.60mm x 24T) ..	90-ON	4-5	<b>AR4.FRP51</b>
252D	3-4 Clutch ('E3') (104mm OD x 1.60mm x 22T) ..	90-ON	6	<b>AR4.FRP15</b>
252D	3-4 Clutch ('E3') (Alto) (104mm OD x 1.60mm x 22T) ..	90-ON	6	<b>AR4.FRP55</b>
253A	2-4 Brake ('F2') (154mm x 1.60mm x 32T).....	90-ON	4-6	<b>AR4.FRP12</b>
253A	2-4 Brake ('F2') (Alto) (154mm x 1.60mm x 32T).....	90-ON	4-6	<b>AR4.FRP52</b>
254F	Low & Reverse Brake ('F1') (146mm OD x 1.60mm x 50T) ..	90-ON	4-5	<b>AR4.FRP13</b>
254F	Low & Reverse Brake ('F1') (Alto) (146mm OD x 1.60mm x 50T) ..	90-ON	4-5	<b>AR4.FRP53</b>
<b>STEEL PLATES</b>				
Kit	Steel Plate (Aftermarket) (With 2.00mm 'E3' Steels).....	90-ON	1	<b>AR4.STK02</b>
Kit	Steel Plate (Aftermarket) (With 1.50mm 'E3' Steels).....	90-ON	1	<b>AR4.STK03</b>
Kit	Steel Plate (Alto).....	90-ON	1	<b>AD4.STK51</b>
300C	Forward Clutch ('E1') (104MM ID x 2.00mm x 32T) ....	90-ON	4-5	<b>AR4.STP01</b>
300C	Forward Clutch ('E1') (104MM ID x 1.50mm x 32T) ....	90-ON	4-5	<b>AR4.STP09</b>
301B	Direct Clutch ('E2') (104mm ID x 2.00mm x 32T) ....	90-ON	4-5	<b>AR4.STP01</b>
302D	3-4 Clutch ('E3') (72mm ID x 1.45mm x 28T) .....	90-ON	4-6	<b>AR4.STP12</b>
302D	3-4 Clutch ('E3') (72mm ID x 1.60mm x 28T) .....	90-ON	4-6	<b>AR4.STP05</b>
302D	3-4 Clutch ('E3') (72mm ID x 2.00mm x 28T) .....	90-ON	4-6	<b>AR4.STP10</b>
303A	2-4 Brake ('F2') (136mm ID x 2.00mm x 3T) .....	90-ON	AR	<b>AR4.STP02</b>
303A	2-4 Brake ('F2') (136mm ID x 2.15mm x 3T) .....	90-ON	AR	<b>AR4.STP13</b>
303A	2-4 Brake ('F2') (136mm ID x 2.40mm x 3T) .....	90-ON	AR	<b>AR4.STP14</b>
303A	2-4 Brake ('F2') (136mm ID x 2.66mm x 3T) .....	90-ON	AR	<b>AR4.STP15</b>
303A	2-4 Brake ('F2') (136mm ID x 3.50mm x 3T) .....	90-ON	AR	<b>AR4.STP07</b>
303A	2-4 Brake ('F2') (136mm ID x 3.75mm x 3T) .....	90-ON	AR	<b>AR4.STP08</b>
304F	Low & Reverse Brake ('F1') (129mm ID x 2.00mm x 12T) ....	90-ON	4-5	<b>AR4.STP03</b>
<b>PRESSURE PLATES</b>				
351C	Pressure Plate 'E1' Top (STD 5.10mm) .....	90-ON	1	<b>AR4.PP01</b>
351C	Pressure Plate 'E1' Top (O.S 6.40mm) .....	90-ON	1	<b>AR4.PP02</b>
352C	Pressure Plate 'E1' Bottom .....	90-ON	1	<b>AR4.PP03</b>
<b>SPRINGS &amp; CIRCLIPS</b>				
400F	'F1' Brake Diaphragm Spring.....	90-ON	1	<b>AG4.DIA01</b>
401C	'E1' Clutch Diaphragm Spring...	90-ON	1	<b>AR4.DIA01</b>
411C	'E1' Return Spring Assy (Used).	90-ON	1	<b>AR4.SPR01</b>

# RENAULT AD4

## 4 SPEED FWD (Full Electronic Control)



AUTOMATIC CHOICE



THE AUTOMATIC TRANSMISSION PARTS WAREHOUSE

ILL NO.	DESCRIPTION	YEARS	QTY	PART NO
<b>FILTERS</b>				
Kit	Filter Kit.....	90-ON	1	AD4.FILKIT01
450G	Filter.....	90-ON	1	AD4.FIL01
451G	Solenoid Filter Oblong (In Valve Body).....	90-ON	1	AR4.FIL02
NI	EVM Filter Round (V. Body-Case).....	90-ON	1	AR4.FIL03
<b>BUSHES &amp; BEARINGS</b>				
Kit	Bush Kit (8 Pieces) .....	90-ON	1	AD4.BK01
550A	Pump Bush .....	90-ON	1	AG4.BUS01
551A	Bush, Inner Pump Gear .....	90-ON	1	AD4.BUS01
552B	Bush 'E2' Drum .....	90-ON	1	AG4.BUS02
553E	Bush 'E3' Drum to Hub .....	90-ON	1	AG4.BUS04
554F	Bush Planetary to O.Shaft .....	90-ON	1	AG4.BUS03
560G	Pinion Bearing.....	90-ON	1	AD4.BE01
<b>THRUST WASHERS &amp; BEARINGS</b>				
600A	Thrust Washer (Pump Stator to 'E2').....	90-ON	1	AR4.THW01
601C	Thrust Washer 'E1' to 'E2' (1.00mm Brown Plastic).....	90-ON	1	AG4.THW01
601C	Thrust Washer 'E1' to 'E2' (1.20mm Green Plastic).....	90-ON	1	AG4.THW02
601C	Thrust Washer 'E1' to 'E2' (1.40mm Natural Plastic).....	90-ON	1	AG4.THW03
601C	Thrust Washer 'E1' to 'E2' (1.60mm Black Plastic).....	90-ON	1	AG4.THW04
601C	Thrust Washer 'E1' to 'E2' (1.80mm Grey Plastic).....	90-ON	1	AG4.THW05
602E	Thrust Bearing assy (Sun Gear to Sun Gear).....	90-ON	1	AR4.BE01
NI	Needle Bearing (Ring Gear to Case 15mm x 30mm x 5.6mm).....	90-ON	1	AR4.TOR01
604F	Needle Bearing Assy Planetary to Ring Gear (30.50mm x 49mm x 3.70mm) ..	90-ON	1	AR4.TOR02
605E	Needle Bearing 'E3' Hub to 'E1' Drive Hub (33mm x 47mm x 2mm).....	90-ON	1	AR4.TOR03
606E	Needle Bearing 'E1' Drive Hub to Sun Shell (36mm x 53mm x 2mm).....	90-ON	1	AR4.TOR05
607E	Needle Bearing Sun Shell to Planet Sun Gear (27.40mm x 41.30mm x 3.8mm).....	90-ON	1	AR4.TOR06
608E	Needle Bearing 'E3' Hub to 'E3' Drum (20mm x 35mm x 6mm).....	90-ON	1	AR4.TOR04
NI	Needle Bearing 'E1' Drum to 'E3' Drum (34mm x 48mm x 3.70mm).....	90-ON	1	AR4.TOR07
610E	Needle Roller Bearing 'E3' Hub (27mm x 31mm x 10mm).....	90-ON	1	AR4.TOR08
615G	Conical Drive Shaft Washer L/H (Brass) .....	90-ON	2	AD4.THW03
616G	Conical Drive Shaft Washer R/H (Brass) .....	90-ON	2	AD4.THW03
<b>ELECTRICAL COMPONENTS</b>				
700G	Pressure Sensor 001,002,004,006.....	90-ON	1	AR4.ELE02
700G	Pressure Sensor 000,003.....	90-ON	1	AR4.ELE02
700G	Pressure Sensor (4 Pin) 013,030,021 .....	90-ON	1	AD4.ELE03

ILL NO.	DESCRIPTION	YEARS	QTY	PART NO
<b>ELECTRICAL COMPONENTS Cont...</b>				
701G	Multi Function Switch (Early) ....	90-ON	1	AD4.ELE04
701G	Multi Function Switch (Late) (Lead & Plug Assembly).....	90-ON	1	AD4.ELE05
701G	Multi Function Switch (Clio AD4 002).....	90-ON	1	AD4.ELE07
702G	Speed Sensor (Transmission) ..	90-ON	1	AR4.ELE05
702G	Output Speed Sensor (Has Short Wire With Connection, Can be Used to Solder Into Loom On Vehicles With Speed Sensor Hard Wired Into Harness .....	90-ON	1	AD4.ELE08
703G	Solenoid Set.....	90-ON	1	AR4.SOL01
NI	Megane ECU Loom (Less Pressure Sensor) .....	90-ON	1	AD4.ELE06
<b>HARD PARTS</b>				
800A	Pump Assy.....	90-ON	1	AD4.PUM01
802G	Laguna 006 Drive Shaft (R/H 125mm Long) .....	90-ON	1	AD4.SH01
803G	Laguna 006 Drive Shaft (L/H 107mm Long) .....	90-ON	1	AD4.SH02
801C	'E1' Drum Exchange Rebuilt (4 Plate) .....	90-ON	1	AR4.DRU31
NI	Speed Sensor Ring (Replaces Damaged or Loose).....	90-ON	1	AR4.SEN01
805B	'E2' Clutch Piston Return Spring Locator....	90-ON	1	AR4.RET02
<b>SPECIAL ITEMS</b>				
900G	Pressure Regulator Plunger.....	90-ON	1	AR4.VA02
901G	Pressure Regulator Valve .....	90-ON	1	AR4.VA03
NI	Cooler Bleed Back Valve .....	90-ON	1	AR4.VA01
902C	'E1' Clutch Support Ring (Bryco) (Plastic 4 Per Transmission) ....	90-ON	4	AR4.RET01
902C	'E1' Clutch Support Ring (Transtec) (Plastic 4 Per Transmission) ....	90-ON	4	AR4.RET03
NI	Low & Reverse Sealing Tube (Under Valve Body).....	90-ON	1	AD4.TU01
NI	Diff Breather (Plastic & Metal)...	90-ON	1	AD4.BRE01
NI	Transmission Breather (Updated).....	90-ON	1	AD4.BRE02
NI	Heat Exchanger (000, 003).....	90-ON	1	AD4.COOL01
NI	Heat Exchanger (001, 004, 014).....	90-ON	1	AD4.COOL02
NI	Heat Exchanger (002, 007,012,026,027,028).....	90-ON	1	AD4.COOL03
NI	Heat Exchanger (006, 021,023,025,030,031,032).....	90-ON	1	AD4.COOL04
NI	Heat Exchanger (011, 013,024,029).....	90-ON	1	AD4.COOL05
<b>TOOLS &amp; MANUALS</b>				
NI	Pressure Take Off Adaptor.....	90-ON		AR4.TOOL01
NI	BVi Tester (Tests valve body electrics & can be used to replace valve body in the electrical chain).....	90-on		AR4.TOOL02
NI	Pinion Bearing Cap Remover ...	90-ON		AG4.TOOL01
NI	Manual OEM Technical Info .....	90-ON		AD4.MAN01