

# CHRYSLER A518 (46RH, 46RE) A618 (47RH, 47RE, 48RE)

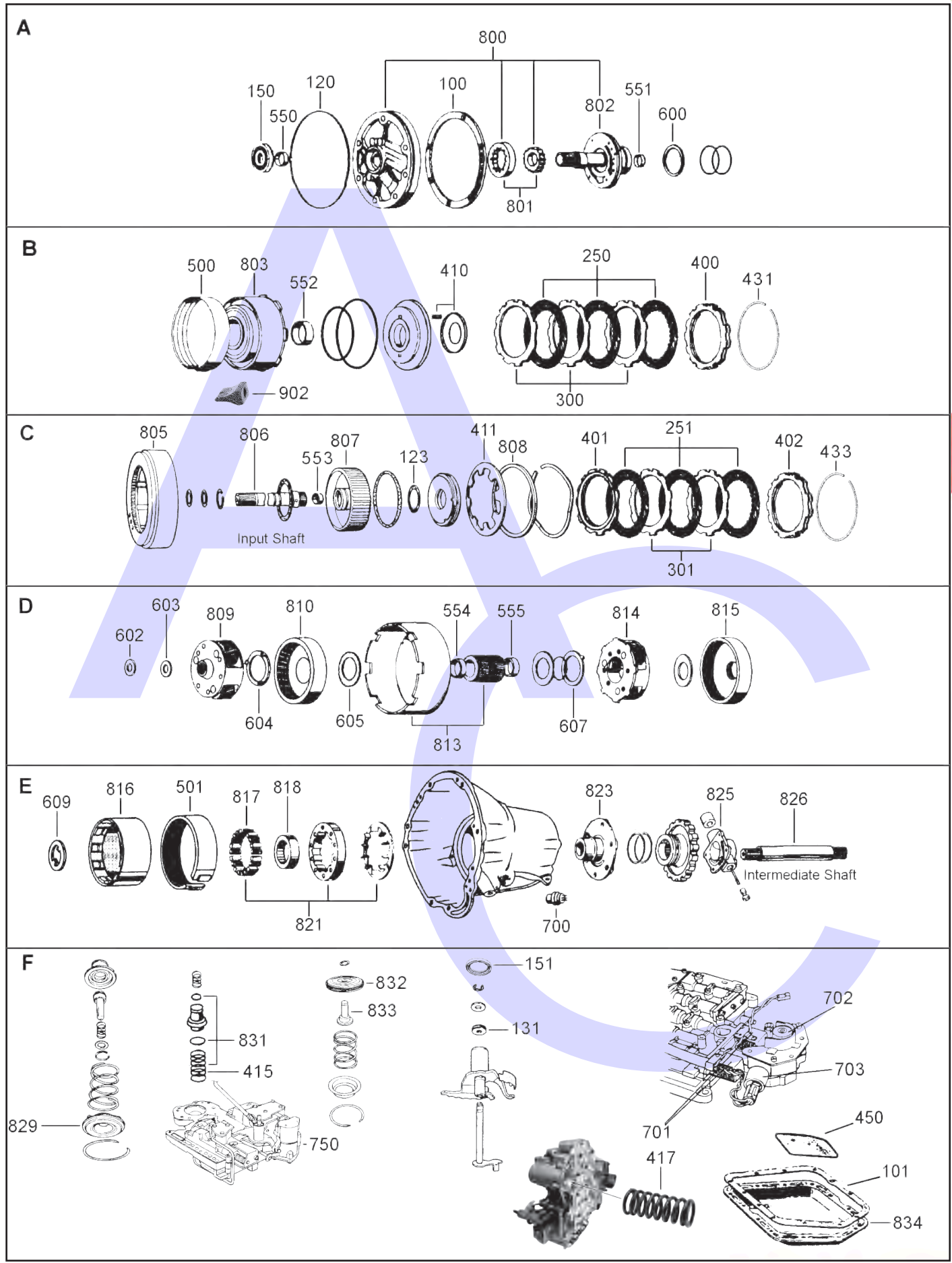
## 4 Speed RWD & 4WD (Hydraulic & Electronic Control)



AUTOMATIC CHOICE



THE AUTOMATIC TRANSMISSION PARTS WAREHOUSE



# CHRYSLER A518 (46RH, 46RE) A618 (47RH, 47RE, 48RE)

4 Speed RWD & 4WD (Hydraulic & Electronic Control)

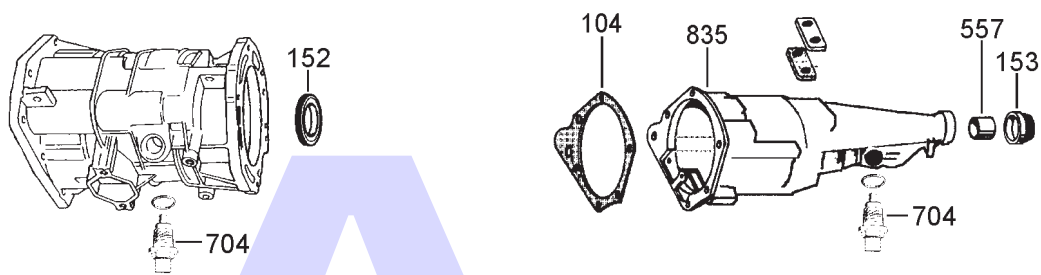


AUTOMATIC CHOICE



THE AUTOMATIC TRANSMISSION PARTS WAREHOUSE

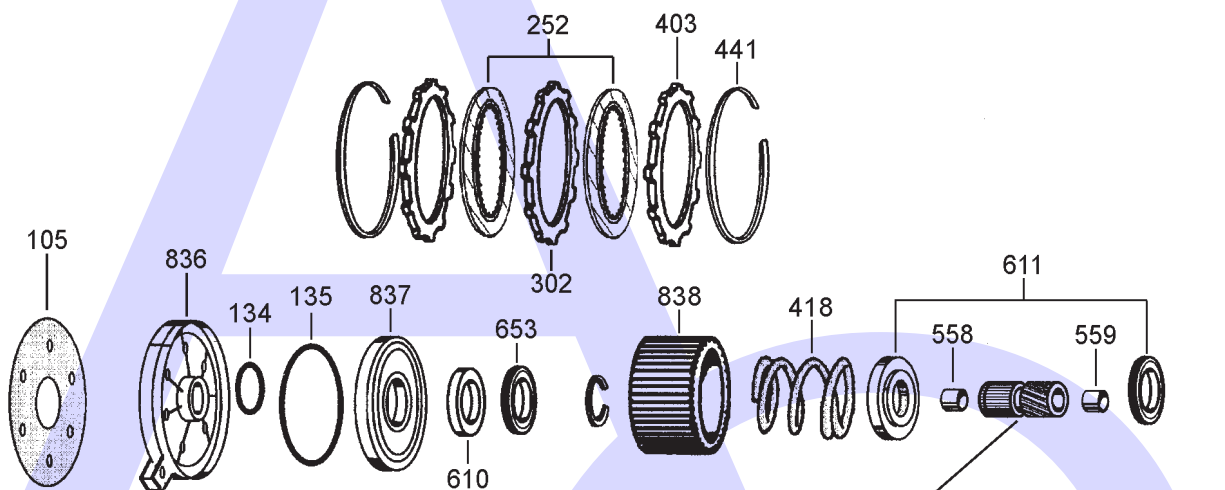
**G**



4WD Adaptor Housing

2WD Extension Housing

**H**



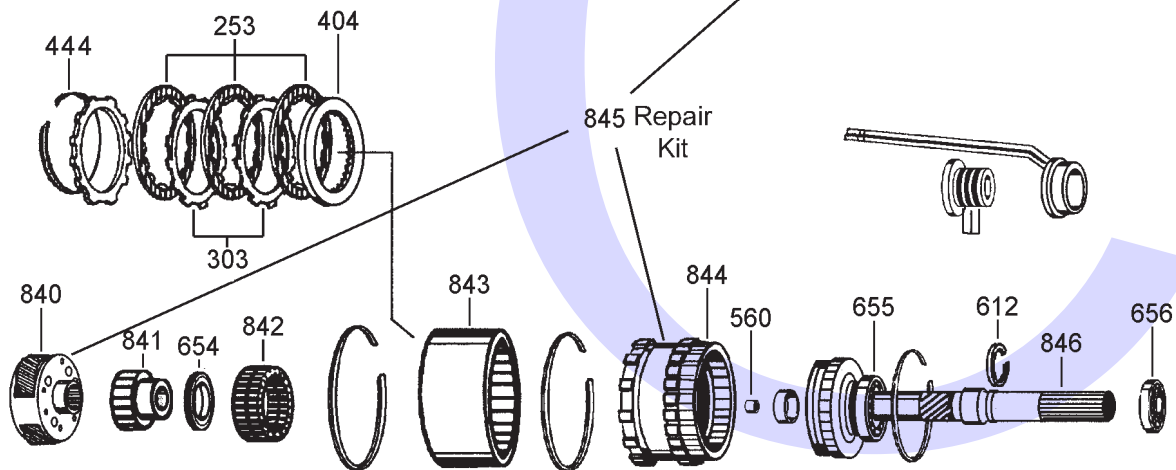
Overdrive Piston & Housing

Direct Clutch Hub

Thrust Plate

Overdrive Sun Gear

**K**



One Way Cam

Roller & Spring Assy

Direct Clutch Housing

Ring Gear

2WD Output Shaft

# CHRYSLER A518 (46RH, 46RE) A618 (47RH, 47RE, 48RE)

## 4 Speed RWD & 4WD (Hydraulic & Electronic Control)



AUTOMATIC CHOICE



THE AUTOMATIC TRANSMISSION PARTS WAREHOUSE

ILL NO.	DESCRIPTION	YEARS	QTY	PART NO
<b>KITS</b>				
Kit	Overhaul Kit (Transtec) (A518 A618)	90-ON	1	A518.OHK01
Kit	Overhaul Kit (Precision) (A518, 46RH, 46RE)	90-ON	1	A518.OHK51
Kit	Overhaul Kit (Transtec) 48RE V10 Petrol & 5.9L Cummins Diesel	03-ON	1	A518.OHK02
Kit	Gasket & Rubber (A518/A618)	90-ON	1	A518.GSK01
Kit	Sonnax 'Sure Cure' Reconditioning Kit (42RH/RE & 46/47RH/RE)	90-ON	1	A518.SCK01
<b>GASKETS</b>				
100A	Front Pump	90-ON	1	TF8.GAS02
101F	Pan Gasket	90-ON	1	TF8.GAS01
101F	Pan Gasket (Farpak)	90-ON	1	TF8.GAS10
101F	Pan Gasket (A618) (Plastic & Rubber)	90-ON	1	TF8.GAS11
104G	Extension Housing	90-ON	1	A500.GAS03
105H	OD Housing to Case	90-ON	1	A518.GAS03
NI	Sealing Washer PRNDL Switch	90-ON	1	TF8.GAS05
NI	O.D. & TCC Solenoid to Valve Body	90-ON	1	A518.GAS04
NI	Washer, Pump Bolt	90-ON	7	TH180.WA01
<b>RUBBER COMPONENTS</b>				
120A	Front Pump O Ring	90-ON	1	TF8.OR01
123C	Modified Lip Seal			
	Forward Clutch (Inner)	90-ON	1	A518.LIP01
131F	Lip Seal, Throttle Lever Shaft	90-ON	1	TF6.MCS06
134H	Inner Lip Seal			
	Overdrive Clutch Piston	90-ON	1	A500.OR01
135H	Outer Lip Seal			
	Overdrive Clutch Piston	90-ON	1	A500.OR02
NI	Boot, Filler Tube	97-ON	1	A518.OR01
<b>METAL CLAD SEALS</b>				
150A	Front Pump	90-ON	1	TF8.MCS01
151F	Selector Shaft	90-ON	1	TF8.MCS04
152G	Extension Housing 4WD (68.30mm OD)	90-ON	1	TF8.MCS10
152G	Adaptor Housing 4WD (65.28mm OD)	90-ON	1	TF6.MCS04
153G	Extension Housing Without Boot (63.80mm OD)	90-ON	1	TH400.MCS02**
153G	Extension Housing With Boot (63.80mm OD x 42.00mm ID)	90-ON	1	TF8.MCS02*
153G	Extension Housing (A618/48RE) (75.82mm OD)	03-ON	1	A618.MCS02
* Included in A518.OHK01				
<b>SEALING RINGS</b>				
Kit	Sealing Ring Kit	90-ON	1	A518.SRK01
Kit	1-2 Accumulator Kit (Viton 'D' Rings)	90-ON	1	TF6.SRK02

ILL NO.	DESCRIPTION	YEARS	QTY	PART NO
<b>FRICITION PLATES</b>				
Kit	Clutch Kit (Friction & Steel Plates) (A618 48RE)	03-ON	1	A618.CK01
Kit	Clutch Kit (Alto Friction & Steel Plates) (A618 48RE High Performance)	03-ON	1	A618.CK61
Kit	Friction Plate (A518)	90-93	1	A518.FRK01
Kit	Friction Plate (A518) (Alto)	90-93	1	A518.FRK51
Kit	Friction Plate (A518,A618)	94-97	1	A618.FRK01
Kit	Friction Plate (Alto) (A518,A618)	94-97	1	A518.FRK52
Kit	Friction Plate (A518) (Alto)	98-ON	1	A518.FRK53
Kit	Friction Plate (A618) (Alto)	98-03	1	A618.FRK51
Kit	Friction Plate (Overdrive) (Alto, High Performance)	90-ON	1	A518.FRK65
250B	High & Reverse (Front) (170mm OD x 2.41mm x 62T)	90-97	3-4	TF8.FRP01
250B	High & Reverse (Front) (Alto) (170mm OD x 2.41mm x 62T)	90-97	3-4	TF8.FRP51
250B	High & Reverse (High Energy) (170mm OD x 2.41mm x 62T)	90-97	3-4	TF8.FRP03
250B	High & Reverse Parrallel Grooves (170mm OD x 2.41mm x 62T)	92-97	3-4	A518.FRP01
250B	High & Reverse (High Energy) (170mm OD x 2.10mm x 62T)	98-ON	3-5	A518.FRP04
251C	Forward (Rear) Smooth (170mm OD x 1.55mm x 62T)	90-ON	4	TF8.FRP02
251C	Forward (Rear) (Alto Red Eagle Smooth) (170mm OD x 1.55mm x 62T)	90-ON	4	TF8.FRP52
251C	Forward (Rear) (Alto Red Eagle Grooved) (170mm OD x 1.55mm x 62T)	90-ON	4	TF8.FRP53
251C	Forward Clutch (A618 48RE) (170mm OD x 1.60mm x 93T)	03-ON	5	A518.FRP06
252H	Overdrive Brake (A518/A618) (154mm OD x 2.20mm x 54T)	90-ON	3-5	A518.FRP02
252H	Overdrive Brake (A518/A618) (Raybestos) (154mm OD x 2.20mm x 54T)	90-ON	3-5	A518.FRP07
253K	Overdrive Direct (A518/A618) (140mm OD x 1.60mm x 54T)	90-02	6-8	A518.FRP03
253K	Overdrive Direct (A518/A618/48RE) 1 Sided (Internal Teeth) (139mm OD x 1.22mm x 54T)	03-ON	12	A518.FRP08
303K	Overdrive Direct (A518/A618/48RE) 1 Sided (External Teeth) (119.38mm ID x 1.22mm x 12T)	03-ON	11	A518.FRP09
<b>STEEL PLATES</b>				
Kit	Clutch Kit (Friction & Steel Plates) (A618 48RE)	03-ON	1	A618.CK01
Kit	Steel Plate (A518)	90-93	1	A518.STK01
Kit	Steel Plate (A518) (Alto)	90-93	1	A518.STK51
Kit	Steel Plate (A518,A618)	94-97	1	A618.STK01
Kit	Steel Plate (A518,A618) (Alto)	94-97	1	A518.STK52
Kit	Steel Plate (A518) (Alto)	98-ON	1	A518.STK53
Kit	Steel Plate (A618) (Alto)	98-ON	1	A618.STK51
300B	High & Reverse (Front) (136mm ID x 1.72mm x 12T)	90-97	4	TF8.STP01
300B	High & Reverse (0.50mm Oversize)	90-ON	AR	TF8.STP02
301C	Forward (Rear) (136mm ID x 1.72mm x 12T)	90-ON	3-4	TF8.STP01
301C	Forward (0.50mm Oversize)	90-ON	AR	TF8.STP02
302H	Overdrive Brake (A518) (127.6mm ID x 1.72mm x 12T)	90-ON	5	A518.STP01
303K	Overdrive Direct A518 (119mm ID x 1.75mm x 12T)	90-ON	7-8	A518.STP02

# CHRYSLER A518 (46RH, 46RE) A618 (47RH, 47RE, 48RE)

## 4 Speed RWD & 4WD (Hydraulic & Electronic Control)



AUTOMATIC CHOICE



THE AUTOMATIC TRANSMISSION PARTS WAREHOUSE

ILL NO.	DESCRIPTION	YEARS	QTY	PART NO
<b>STEEL PLATES Cont...</b>				
303K	Overdrive Direct <b>A618</b> (119mm ID x 1.75mm x 12T) .... To-97	7-8	7-8	<b>A518.STP02</b>
303K	Overdrive Direct <b>A618</b> (119mm ID x 1.35mm x 12T) .... 98-ON	9	9	<b>A518.STP03</b>
<b>PRESSURE PLATES</b>				
400B	Pressure Plate (Outer) Forward Clutch.....	90-ON	1	<b>TF8.PP01</b>
401C	Pressure Plate (Inner) Forward Clutch.....	90-ON	1	<b>TF8.PP02</b>
402C	Pressure Plate (Outer) High & Reverse Clutch.....	90-ON	1	<b>TF8.PP01</b>
403H	Pressure Plate Overdrive (127mm ID x 5.46mm Thick).....	90-ON	1	<b>A518.PP04</b>
403H	Pressure Plate Overdrive (127mm ID x 9.55mm Thick).....	90-ON	1	<b>A518.PP01</b>
404K	Pressure Plate O. D. Direct (Stepped 118.77mm ID).....	90-ON	1	<b>A518.PP03</b>
404K	Pressure Plate O. D. Direct (No External Tabs).....	90-ON	1	<b>A518.PP02</b>
<b>SPRINGS &amp; CIRCLIPS</b>				
Kit	Circlip Set (OD Section Only) ...	90-ON	1	<b>A518.CIR02</b>
410B	Piston Spring & Retainer (Rear Clutch).....	90-ON	1	<b>TF8.SPR01</b>
411C	Diaphragm Spring (1.88mm).....	90-ON	1	<b>TF8.DIA01</b>
415F	Spring, 1-2 Accumulator Return	90-ON	1	<b>TF8.SPR02</b>
417F	3-4 Accumulator Spring (Sonnax® <a href="#">Click Here for Info</a> ) ...	89-ON	1	<b>A518.SPR03</b>
418H	Coil Spring Overdrive Clutch.....	90-ON	1	<b>A518.SPR02</b>
431B	Circlip, Retaining Top & Rev Clutch (1.52mm Thick).....	90-ON	AR	<b>TF8.CIR04</b>
	(1.60mm Thick).....	90-ON	1	<b>TF8.CIR05</b>
	(1.879mm Thick).....	90-ON	AR	<b>TF8.CIR01</b>
	(2.235mm Thick).....	90-ON	AR	<b>TF8.CIR02</b>
	(2.692mm Thick).....	90-ON	AR	<b>TF8.CIR03</b>
433C	Circlip, Retaining Forward Clutch (1.52mm Thick).....	90-ON	AR	<b>TF8.CIR04</b>
	(1.60mm Thick).....	90-ON	1	<b>TF8.CIR05</b>
	(1.879mm Thick).....	90-ON	AR	<b>TF8.CIR01</b>
	(2.235mm Thick).....	90-ON	AR	<b>TF8.CIR02</b>
	(2.692mm Thick).....	90-ON	AR	<b>TF8.CIR03</b>
441H	Circlip, Overdrive Brake (Waved)	90-ON	1	<b>A500.CIR01</b>
444K	Circlip - O.D. Direct Retaining...	90-ON	1	<b>A518.CIR01</b>
<b>FILTERS</b>				
450F	Large One Hole (Dacron).....	90-97	1	<b>TF8.FIL01</b>
450F	Large One Hole (Brass).....	90-97	1	<b>TF8.FIL03</b>
450F	Plastic Filter ( <b>A518/A618</b> ).....	98-ON	1	<b>A518.FIL01</b>
NI	Overdrive Piston Ret Filter.....	92-ON	1	<b>A518.FIL02</b>
<b>BANDS</b>				
500B	Intermediate Flex ( <b>A518, A618</b> ) (53mm Wide Raybestos) .....	92-ON	1	<b>TF8.BAN04</b>
500B	Intermediate Flex ( <b>48RE</b> ) (High Performance).....	03-ON	1	<b>TF8.BAN06</b>
501E	Low/Reverse (Use With 152.40mm OD Drum)..	90-91	1	<b>A518.BAN01</b>
501E	Low/Reverse (157.50mm OD Drum) .....	91-ON	1	<b>A518.BAN02</b>
501E	Low/Reverse Multi Wrap ( <b>A618, 47RH</b> ).....	94-ON	1	<b>A518.BAN03</b>

ILL NO.	DESCRIPTION	YEARS	QTY	PART NO
<b>BUSHES</b>				
Kit	Bush Kit.....	94-ON	1	<b>A518.BK01</b>
Kit	Bush Kit Overdrive Only.....	90-ON	1	<b>A500.BK01</b>
550A	Front Pump .....	90-ON	1	<b>TF8.BUS01</b>
551A	Stator Support (Rear).....	90-ON	1	<b>TF8.BUS05</b>
551A	Stator Support (31.75mm I.D.) .....	94-ON	1	<b>TF8.BUS07</b>
551A	Stator Support (Sonnax®) (31.75mm I.D.).....	94-ON	1	<b>A618.BUS02</b>
552B	High/Rev Drum (Wide).....	90-ON	1	<b>TF8.BUS02</b>
553C	Input Shaft.....	90-ON	1	<b>TF8.BUS08</b>
554D	Sun Gear Bushing (Front).....	90-ON	1	<b>TF8.BUS06</b>
555D	Sun Gear Bushing (Rear).....	90-ON	1	<b>TF8.BUS06</b>
557G	Ext. Housing ( <b>A618/48RE</b> ).....	03-ON	1	<b>A618.BUS03</b>
558H	O.D. Sun gear (W/Flange Front)	90-ON	1	<b>A500.BUS07</b>
559H	O.D. Sun gear (Rear).....	90-ON	1	<b>A500.BUS06</b>
560K	OD Output Shaft Pilot .....	90-ON	1	<b>A518.BUS01</b>
NI	Plastic Bushing for Front Steel Planet ( <b>A518</b> 9.398mm)...	90-ON	1	<b>A518.BUS02</b>
NI	Plastic Bushing for Front Steel Planet ( <b>A518</b> 7.62mm).....	90-ON	1	<b>A518.BUS03</b>
<b>THRUST WASHERS &amp; BEARINGS</b>				
Kit	Thrust Washer Kit .....	90-ON	1	<b>A518.TK03</b>
Kit	Bearing Kit .....	90-ON	1	<b>A500.TWK02</b>
Kit	OD Spring Ret & Torrington Kit (Sonnax) .....	90-ON	1	<b>A500.TK01</b>
Kit	Shim Kit Overdrive.....	90-ON	1	<b>A518.TK04</b>
600A	Selective Front Pump (1.09mm).....	90-ON	AR	<b>TF8.THW12</b>
	(1.55mm).....	90-ON	AR	<b>TF8.THW13</b>
	(2.06mm).....	90-ON	AR	<b>TF8.THW01</b>
	(2.59mm).....	90-ON	AR	<b>TF8.THW02</b>
602D	Output Shaft Race A518 (33mm OD x 8.90mm ID).....	90-ON	1	<b>TF6.TOR01</b>
603D	Thrust Washer Output Shaft (3 Ext Tabs 1.32mm Thick) .....	90-ON	1	<b>TF6.THW06</b>
603D	Thrust Washer Output Shaft (3 Ext Tabs 1.727mm Thick) .....	90-ON	1	<b>TF6.THW07</b>
603D	Thrust Washer Output Shaft (3 Ext Tabs 2.108mm Thick) .....	90-ON	1	<b>TF6.THW08</b>
604D	Thrust Washer Front & Rear Planet (4 Tabs) .....	90-ON	2	<b>TF8.THW08</b>
604D	Thrust Washer Front Planet (5 Tabs <b>A618</b> ) .....	94-02	1	<b>TF8.THW03</b>
604D	Thrust Washer Front Planet (6 Tabs <b>A618/48RE</b> ) .....	03-ON	1	<b>A618.THW01</b>
605D	Thrust Washer Planet to Sun Shell (6 Tabs Small Washer <b>A618</b> ) ....	96-03	1	<b>TF8.THW11</b>
607D	Thrust Washer Rear Planet (6 Tabs, Wide <b>A618/48RE</b> ) .....	03-ON	1	<b>A618.THW02</b>
607D	Thrust Washer Rear Planet PTFE-coated (6 Tabs, Wide <b>A618/48RE</b> ) (Sonnax® <a href="#">Click Here for Info</a> ) ...	03-ON	1	<b>A618.THW04</b>
609E	Thrust Washer (Rear Band Drum to Ring Gear)	92-ON	1	<b>A518.THW01</b>
610H	Thrust Plate Selective OD (3.94mm Thick) .....	90-ON	1	<b>A518.THW13</b>
	(4.27mm - 4.32mm Thick).....	90-ON	1	<b>A518.THW07</b>
	(4.65mm - 4.70mm Thick).....	90-ON	1	<b>A518.THW08</b>
	(5.03mm - 5.08mm Thick).....	88-ON	1	<b>A518.THW09</b>
	(5.41mm - 5.46mm Thick).....	90-ON	1	<b>A518.THW10</b>
	(5.80mm Thick).....	90-ON	1	<b>A518.THW15</b>
	(6.17mm Thick).....	90-ON	1	<b>A518.THW16</b>
611H	Thrust Plate & Bearing Assy .....	90-ON	1	<b>A518.THW04</b>

# CHRYSLER A518 (46RH, 46RE) A618 (47RH, 47RE, 48RE)

## 4 Speed RWD & 4WD (Hydraulic & Electronic Control)



AUTOMATIC CHOICE



THE AUTOMATIC TRANSMISSION PARTS WAREHOUSE

ILL NO.	DESCRIPTION	YEARS	QTY	PART NO
<b>THRUST WASHERS &amp; BEARINGS Cont...</b>				
612K	Spacer Ring (Selective) (4.01mm).....	90-ON	1	<b>A500.THW06</b>
	(4.45mm).....	90-ON	1	<b>A500.THW05</b>
	(4.90mm).....	90-ON	1	<b>A500.THW04</b>
653H	Bearing Direct Hub to Piston (97.64mm OD) .....	90-ON	1	<b>TF6.TOR02</b>
654K	Bearing OD Cam to O.Shaft .....	90-ON	1	<b>TF6.TOR03</b>
655K	Output Shaft Bearing Front (110mm OD) .....	90-ON	1	<b>A518.THW02</b>
656K	Output Shaft Bearing Rear (72.40mm OD) .....	90-ON	1	<b>A518.THW03</b>
656K	Bearing Output Shaft Rear (34.93mm ID).....	90-ON	1	<b>A518.THW03</b>
	(31.24mm ID).....	90-ON	1	<b>A518.THW12</b>
NI	Bearing to Extension Housing Repair Washer <b>A618, 48RE</b> ( <a href="#">Click for Info</a> ) .....	93-ON	1	<b>A618THW03</b>
NI	Case Repair Bearing (Sonnax® <a href="#">Click here for Info</a> ) ...	62-ON	1	<b>TF8.THW09</b>

<b>ELECTRICAL COMPONENTS</b>				
Klt	External Harness Repair (8 Pin) (A518).....	90-ON	1	<b>A518.ELE03</b>
700E	Neutral Safety Switch (3 Prong Late Short Type).....	90-ON	1	<b>TF8.INH01</b>
700E	Neutral Safety Switch (3 Prong Early Long Type) .....	90-ON	1	<b>TF8.INH02</b>
700E	Neutral Safety Switch (A518/618, 5 Prong).....	01-ON	1	<b>TF8.INH04</b>
701F	Solenoid L/ Up & 4th (2 Solenoid/3 Prong) .....	90-95	1	<b>A518.SOL01</b>
701F	Solenoid L/ Up & 4th (2 Solenoids) (Round / 8 Pin Connector) .....	96-99	1	<b>A518.SOL06</b>
NI	Solenoid 4th Gear only No L/UP (1Solenoid/2 Prong) ...	90-95	1	<b>A518.SOL05</b>
702F	Solenoid Governor Pressure (2 Prong Connector ) .....	96-ON	1	<b>A518.SOL03</b>
702F	Solenoid Governor Pressure (Aftermarket) (2 Prong White Connector ) .....	96-ON	1	<b>A518.SOL09</b>
701F	Solenoid L/ Up & 4th (2 Solenoids) (Round / 8 Pin Connector) .....	00-ON	1	<b>A518.SOL08</b>
NI	Solenoid Upgrade Kit (2 Sol with Gov Press Sensor)..	90-95	1	<b>A518.SOL04</b>
703F	Governor Pressure Sensor (3 Pin) .....	93-ON	1	<b>A518.ELE01</b>
703F	Governor Pressure Sensor (4 Pin) .....	96-99	1	<b>A518.ELE02</b>
703F	Governor Pressure Sensor Includes Temp Sensor) .....	00-ON	1	<b>A518.SOL07</b>
NI	Input Speed Sensor .....	90-ON	1	<b>A604.ELE02</b>
704G	Output Speed Sensor .....	90-ON	1	<b>A604.ELE01</b>

<b>VALVE BODY PARTS</b>				
750F	Valve Body, Rebuilt ( <b>A518</b> Various) (Details Required).....	90-ON	1	<b>A518.VBxx</b>
750F	Valve Body, ( <b>A618 47RH</b> ) .....	90-99	1	<b>A618.VB02</b>
Kit	Shift Kit (Transgo® Junior) <b>(A518, A618)</b> .....	90-02	1	<b>A500.SK01</b>
Kit	Shift Kit (Transgo® Junior) (Diesel <b>A518, A618</b> ) .....	90-03	1	<b>A518.SK01</b>
Kit	Shift Kit (Transgo® Junior) (Diesel <b>A618 (48RE)</b> ).....	03-ON	1	<b>A618.SK01</b>
Kit	Shift Kit (Heavy Duty & High Performance) <b>(A518, A618)</b> .....	90-02	1	<b>A518.SK03</b>

ILL NO.	DESCRIPTION	YEARS	QTY	PART NO
<b>VALVE BODY PARTS Cont...</b>				
Kit	Superior UV Shift Kit ( <b>A518</b> ) .....	90-ON	1	<b>A500.SK02</b>
Kit	Throttle Valve Kit (Sonnax®).....	90-ON	1	<b>TF8.VA01</b>
Kit	Oversize Solenoid Switch Valve Plug Kit (Requires A518.VA06 Reamer) (Sonnax® <a href="#">Click Here for Info</a> ) ...	90-ON	1	<b>A518.VA05</b>
Kit	Reamer for A518.VA05 (Sonnax®).....	90-ON	1	<b>A518.VA06</b>
Kit	Governor Bore Plug Kit (Sonnax® <a href="#">Click Here for Info</a> ) ...	90-ON	1	<b>TF8.VA05</b>
Kit	Oversized Throttle Valve Kit (Updated) (Requires Tool Kit TF8.VA09 & Valve Body Fixture AG4.VA05) (Sonnax® <a href="#">Click Here for Info</a> ) ...	90-ON	1	<b>TF8.VA08</b>
Kit	Tool Kit for TF8.VA08 (Sonnax®).....	90-ON	1	<b>TF8.VA09</b>
NI	4 Spooled Switch Valve Direct Replacement (Sonnax® <a href="#">Click Here for Info</a> ) ...	90-ON	1	<b>A518.VA01</b>
NI	4 Spooled Switch Valve Direct Oversized (Requires Tool A500.VA04) (Sonnax® <a href="#">Click Here for Info</a> ) ...	90-ON	1	<b>A500.VA03</b>
NI	Toolkit for A500.VA03 (Sonnax®).....	90-ON	1	<b>A500.VA04</b>
NI	Manual Valve (Sonnax®).....	90-ON	1	<b>TF8.VA03</b>
NI	Pressure Regulator Valve TF8 & A518 (Sonnax®).....	90-ON	1	<b>TF8.VA04</b>
NI	Plate, Universal Valve Body to Case w/o Lock-up Boost Tube ..	90-ON	1	<b>A518.VB01</b>
NI	Plate, Universal Valve Body to Case, w/ Lock-up Boost Tube ...	90-ON	1	<b>A518.VB02</b>
Kit	Oversized Pressure Regulator Valve (Requires A518.TOOL02 Tool Kit & AG4.VA05 Valve Body Reaming Fixture) (Sonnax® <a href="#">Click Here for Info</a> ) ...	90-ON	1	<b>A518.VA04</b>
Kit	Oversized Lube Regulated PR Valve & Line/TV Pressure Plug (Requires A518.TOOL02 Tool Kit & AG4.VA05 Valve Body Reaming Fixture) (Sonnax® <a href="#">Click Here for Info</a> ) ...	90-ON	1	<b>A518.VA07</b>
Kit	Tool Kit for A518.VA04 & A518.VA07 (Sonnax® <a href="#">Click Here for Info</a> ) ...	90-ON	1	<b>A518.TOOL02</b>
Kit	Line Pressure Plug & Sleeve Kit (6.70mm Dia) (Sonnax® <a href="#">Click Here for Info</a> ) ...	90-ON	1	<b>A518.VA03</b>
Kit	Throttle Valve Kit (Sonnax® <a href="#">Click Here for Info</a> ) ...	90-ON	1	<b>TF8.VA11</b>
Kit	Neutral Safety Back-up Insulator (Sonnax® <a href="#">Click here for Info</a> ) ...	90-02	1	<b>A500.VA02</b>
Kit	Neutral Safety Back-up Insulator (Sonnax® <a href="#">Click here for Info</a> ) ...	01-ON	1	<b>A500.VA05</b>
Kit	Valve Body Detent Ball & Sleeve Kit Requires Tool A518.VA09 (Sonnax® <a href="#">Click here for Info</a> ) ...	90-ON	1	<b>A518.VA08</b>
Kit	Toolkit for A518.VA08.....	90-ON	AR	<b>A518.VA09</b>
Kit	Oversized Lockup Boost Valve Kit Requires Tool 42RE.VA02 & Valve Body Fixture AG4.VA05 (Sonnax® <a href="#">Click here for Info</a> ) ...	90-ON	1	<b>42RE.VA01</b>
Kit	Toolkit for 42RE.VA01 .....	90-ON	AR	<b>42RE.VA02</b>

<b>HARD PARTS</b>				
Kit	Accumulator Repair Kit (Sonnax® <a href="#">Click Here for Info</a> ) ...	90-ON	1	<b>TF8.ACC01</b>
800A	Pump Assy Lock Up (With 31mm Turbine Rings) .....	90-ON	1	<b>TF8.PUM02</b>
800A	Pump Assy Non Lock Up (31mm Turb Rings 1 Ring On Forward Clutch Drum).....	90-ON	1	<b>TF8.PUM05</b>

# CHRYSLER A518 (46RH, 46RE) A618 (47RH, 47RE, 48RE)

## 4 Speed RWD & 4WD (Hydraulic & Electronic Control)



AUTOMATIC CHOICE



THE AUTOMATIC TRANSMISSION PARTS WAREHOUSE

ILL NO.	DESCRIPTION	YEARS	QTY	PART NO
<b>HARD PARTS Cont...</b>				
800A	Pump Assy Non Lock Up (31mm Turb Rings 1 Ring On Forward Clutch Drum 10 Lobe)	90-ON	1	TF8.PUM07
800A	Pump Assy Non Lock Up (31mm Turb Rings 1 Ring On Forward Clutch Drum 11 Lobe)	90-ON	1	TF8.PUM08
800A	Pump Assy Lock Up (31.75mm Turbine Rings )	94-ON	1	TF8.PUM03
800A	Pump Assy Non Lock Up (31.75mm Turb Rings 1 Ring On Forward Clutch Drum)	94-ON	1	TF8.PUM06
800A	Pump Assy Lock Up (A618/48RE) (10 Lobe Inner Gear)	03-ON	1	TF8.PUM10
801A	Pump Gear Set (.747" Thick)	90-ON	1	TF8.PUM01
801A	Pump Gear Set (12 Lobe Outer, 11 Lobe Inner)	90-ON	1	A518.PUM02
802A	Stator Support, Non Lock Up (2 Check Balls, 28.575mm ID Rear Stator Bushing)	90-ON	1	TF8.SUP03
803B	High Reverse Clutch Drum (4 Plate Wide Bushing)	90-ON	1	TF8.DRU02
803B	High Reverse Clutch Drum (A618 48RE) (5 Plate Retos 3 & 4 Clutch)	03-ON	1	A518.DRU14
805C	Drum, Forward Clutch	90-02	1	TF8.DRU05
806C	Input Shaft, 23 spline (A618/47/48RE)	94-ON	1	A618.SH02
807C	Hub, Direct Clutch (A518) (Complete with Shaft 806C)	94-ON	1	A518.HUB01
807C	Hub, Direct Clutch (A618/48RE)	03-ON	1	A618.HUB01
808C	Rear Clutch Diaphragm Spacer	90-ON	1	TF8.SP01
809D	Front Planet 3 Pin	90-95	1	TF8.PL03
809D	Front Planet 5 Pin Steel (A518 / A618)	94-95	1	A518.PL01
809D	Front Planet 5 Pin Aluminium (A518 / A618)	94-95	1	A518.PL02
810D	Ring Gear Front Planet	90-95	1	TF8.PL05
NI	Planetary, Sun & Ring Gear Set Overdrive (5 Pinoin Late Pitch) A518	90-ON	1	A518.PLK04
813D	Sun Gear & Shell Assy (3 Tab Washer Type)	90-95	1	TF8.POT01
813D	Sun Gear & Shell Assy (A518/618) (6 Tab Washer Type)	94-02	1	TF8.POT02
814D	Rear Planet 3 Pin	90-95	1	TF8.PL06
814D	Rear Planet 4 Pin	90-95	1	TF8.PL02
814D	Rear Planet 6 Pin (TF8, A518) (For Small Washer)	90-03	1	TF8.PL08
814D	Rear Planet 6 Pin Steel (A618) (For Wide Washer)	03-ON	1	A518.PL12
815D	Ring Gear Rear Planet	90-02	1	TF8.PL07
816E	Reverse Drum 727/A518 (12 Roller 152.40mm OD)	90-ON	1	TF8.DRU01
816E	Reverse Drum 727/A518 (14 Roller 157.50mm OD)	91-92	1	A518.DRU04
816E	Reverse Drum 727/A518 (14 Roller 157.50mm OD) (Washer Type)	93-ON	1	A518.DRU05
817E	Low OWC Spring & Roller Kit	90	1	TF8.OWC02
817E	Low OWC Roller Clutch Kit (Plastic Cage 14 Element)	91-ON	1	A518.OWC01
818E	Low OWC Inner Race	90	1	TF8.OWC03
818E	Low OWC Inner Race Sonnax (Slide On Type 46RH/RE)	90-ON	1	A518.OWC03
818E	Low OWC Inner Race Sonnax (Use A518.DRU04 or DRU05)	90	1	NLA
821E	Low OWC Bolt in Cam Kit (14 Roller)	91-ON	1	TF8.OWC05

ILL NO.	DESCRIPTION	YEARS	QTY	PART NO
<b>HARD PARTS Cont...</b>				
821E	Low OWC Bolt in Cam Kit (12 Roller)	90	1	TF8.OWC01
821E	Low OWC Bolt in Cam Kit (14 Roller)	91-ON	1	A518.OWC05
823E	Output Support (4 Bolt) TF8	90-ON	1	TF8.SUP01
823E	Output Support (6 Bolt) TF8 (2 Groove for Washer)	90-ON	1	TF8.SUP04
825E	Governor Assembly (Large Valve 25.45mm OD)	90-ON	1	TF8.GOV01
826E	Output Shft 4WD (419.10mm)	90-ON	1	TF8.SH02
826E	Intermediate Shaft (A518)	90-ON	1	A518.SH01
826E	Intermediate Shaft, (A618/47/48RE)	94-ON	1	A618.SH01
NI	Extension Shaft (Range Rover)	All	1	TF8.SH01
NI	Strut Assy Reverse Band	90-ON	1	TF8.STR01
829F	Front Servo Piston Cover (Sonnax@ <a href="#">Click Here for Info</a> )	90-ON	1	TF8.SER05
831F	1-2 Accumulator Assembly (Plastic)	90-ON	1	TF8.SER04
832F	Rear Servo Piston Turned Billet (A518/46RE/46RH) (Sonnax@ <a href="#">Click Here for Info</a> )	90-ON	1	TF8.SER01
832F	Rear Servo Piston (62.48mm OD) (A618/47RE/47RH) (Sonnax@ <a href="#">Click Here for Info</a> )	94-96	1	TF8.SER03
832F	Rear Servo Piston (62.48mm OD) (A618/47RE/48RE) (Sonnax@ <a href="#">Click Here for Info</a> )	97-ON	1	A518.SER02
832F	Rear Servo (Superior® Super Servo) (A518/46RE/46RH) 71.42mm Dia. This newly designed piston is much wider and uses a Teflon support ring along with lip seal to create a completely stable piston. This piston will not flip in the bore.	90-ON	1	A518.SER01
833F	Reverse Servo Piston Plug Kit (Sonnax@ <a href="#">Click Here for Info</a> )	90-ON	1	TF8.SER06
834F	Oil Pan, Deep Mag-Hytec Finned Aluminum	90-ON	1	TF8.PAN01
835G	Overdrive Housing (A518) (2WD Without Speed Sensor)	90-ON	1	A518.HO01
836H	Overdrive Piston Housing (Two Slot With Gov Holes)	90-ON	1	A518.DRU07
836H	Overdrive Piston Housing ( Without Gov Holes)	96-ON	1	A518.DRU06
836H	Overdrive Piston Housing (Sonnax@ Universal, Requires Machining) ( <a href="#">Click Here for Information</a> )	90-ON	1	A518.DRU12
837H	Piston (Overdrive) A518	90-ON	1	A518.PIS01
838H	Direct Clutch Hub	90-ON	1	A518.HUB02
840K	Overdrive Planetary (5 Pinoin W/ 15° Pitch) A518	94-ON	1	A518.PL06
840K	Overdrive Planetary (5 Pinoin W/ 22° Pitch) A518	90-93	1	A518.PL07
840K	Overdrive Planetary (4 Pinoin W/ 22° Pitch) A518	90-93	1	A518.PL03
841K	One Way Clutch Inner Cam (Overdrive) A518	90-ON	1	A518.OWC06
842K	One Way Clutch Spring & Roller Kit (Overdrive) A518	91-ON	1	A518.OWC02
843K	Drum, Overdrive Clutch (6 Plate Type)	90-ON	1	A518.DRU10
843K	Drum, Overdrive Clutch (8 Plate Type)	90-ON	1	A518.DRU11
844K	Overdrive Ring Gear (With 22° Pitch) A518	90-93	1	A518.PL04
844K	Overdrive Ring Gear (With 15° Pitch) A518	94-ON	1	A518.PL05

# CHRYSLER A518 (46RH, 46RE) A618 (47RH, 47RE, 48RE)

## 4 Speed RWD & 4WD (Hydraulic & Electronic Control)



AUTOMATIC CHOICE



THE AUTOMATIC TRANSMISSION PARTS WAREHOUSE

ILL NO.	DESCRIPTION	YEARS	QTY	PART NO
<b>HARD PARTS Cont...</b>				
845K	Planetary Kit Overdrive (4 Pinion Late Pitch) <b>A518</b> .....	90-ON	1	<b>A518.PLK02</b>
845K	Planetary Kit Overdrive (5 Pinion Late Pitch) <b>A518</b> .....	90-ON	1	<b>A518.PLK03</b>
845K	Planetary Kit Overdrive Without Bearings (5 Pinion Late Pitch) <b>A518</b> .....	90-ON	1	<b>A518.PLK05</b>
846K	Output Shaft 2WD <b>A518</b> (Without Gov Drive Slot) .....	90-ON	1	<b>A518.SH02</b>
846K	Output Shaft 4WD <b>A518</b> (279.40mm O. D. Housing With Long Spline) .....	90-ON	1	<b>A518.SH03</b>
849K	Output Shaft 2WD <b>A518</b> (229.235mm Long With 36.40mm Key Slot) .....	90)-ON	1	<b>A518.SH04</b>
<b>SPECIAL ITEMS</b>				
902B	Anchor, Intermediate Band (Heavy Duty "Power Wedge")...	90-ON	1	<b>TF8.STR04</b>
NI	Drive Plate 279.40mm Conveter (Unevenly Spaced Crank Holes)		1	<b>TF8.FP01</b>
NI	Drive Plate 279.40mm Conveter (Evenly Spaced Crank Holes)...		1	<b>TF8.FP02</b>
NI	Drive Plate 304.80mm Conveter (Unevenly Spaced Crank Holes)		1	<b>TF8.FP03</b>
NI	Drive Plate 304.80mm Conveter (Evenly Spaced Crank Holes)...		1	<b>TF8.FP04</b>
NI	Shim Kit Rear Planet End Play (10)		1	<b>TF8.THW06</b>
NI	Input Shaft Pilot & Endplug Kit..	90-ON	1	<b>A518.VA02</b>
NI	Bearing to Extension Housing Repair Washer <b>A618, 48RE</b> ( <a href="#">Click for Info</a> ).....	93-ON	1	<b>A618THW03</b>
NI	Case Repair Bearing (Sonnax® <a href="#">Click here for Info</a> ) ...	62-ON	1	<b>TF8.THW09</b>
NI	Bolt Torque Converter to Drive Plate .....	90-ON	4	<b>45RFE.NUT01</b>
<b>TOOLS &amp; MANUALS</b>				
NI	ATSG Manual ( <b>A500, A518</b> ) .....	90-ON	1	<b>A518.MAN01</b>
NI	ATSG Manual ( <b>46/47/48RE</b> ) .....	96-ON	1	<b>A518.MAN02</b>
NI	A518 Spragg Insallation Tool .....	90-ON		<b>A518.TOOL01</b>
<p><a href="#">Click here to view special tools for this transmission</a></p>				

ILL NO.	DESCRIPTION	YEARS	QTY	PART NO