

# FORD A4LD 4 SPEED RWD WITH LOCK UP

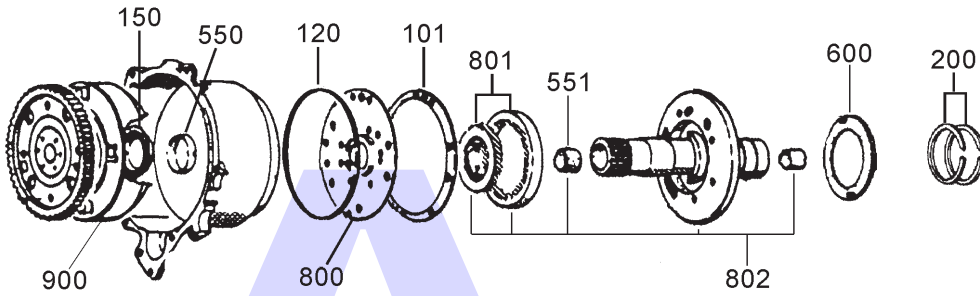


AUTOMATIC CHOICE



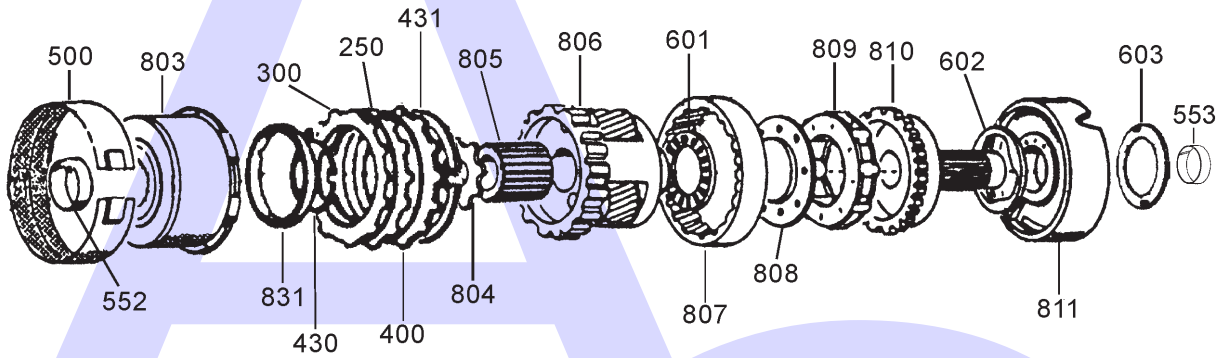
THE AUTOMATIC TRANSMISSION PARTS WAREHOUSE

A



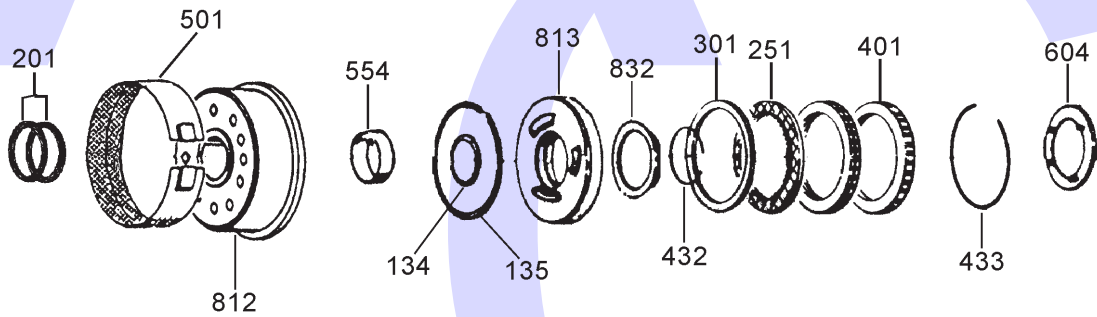
PUMP

B



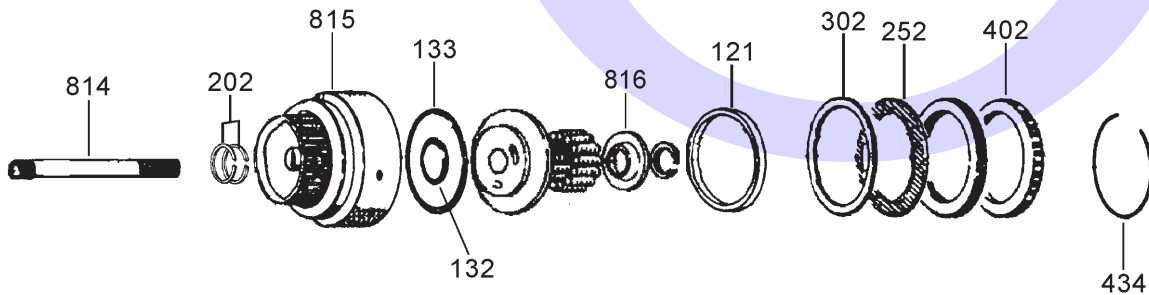
OVERDRIVE

C



DIRECT CLUTCH

D



FORWARD CLUTCH

# FORD A4LD 4 SPEED RWD WITH LOCK UP

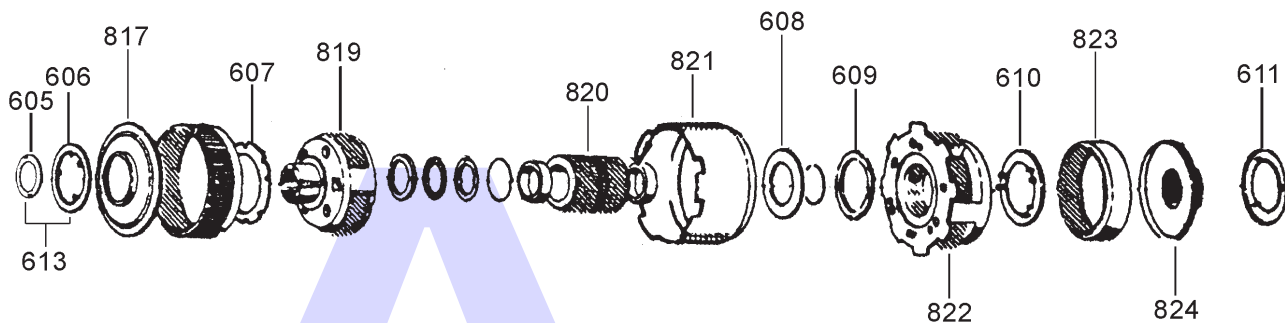


AUTOMATIC CHOICE



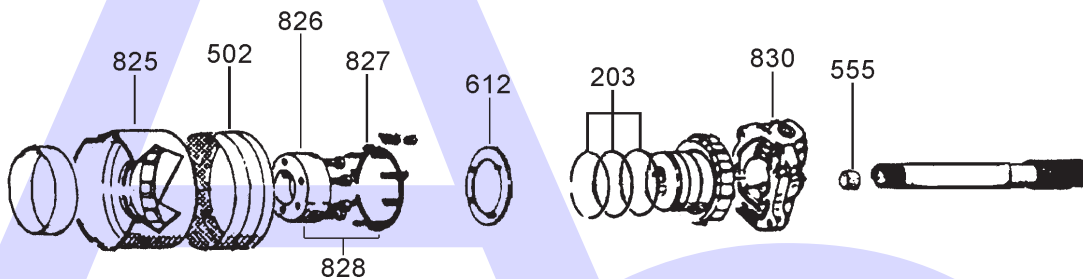
THE AUTOMATIC TRANSMISSION PARTS WAREHOUSE

E



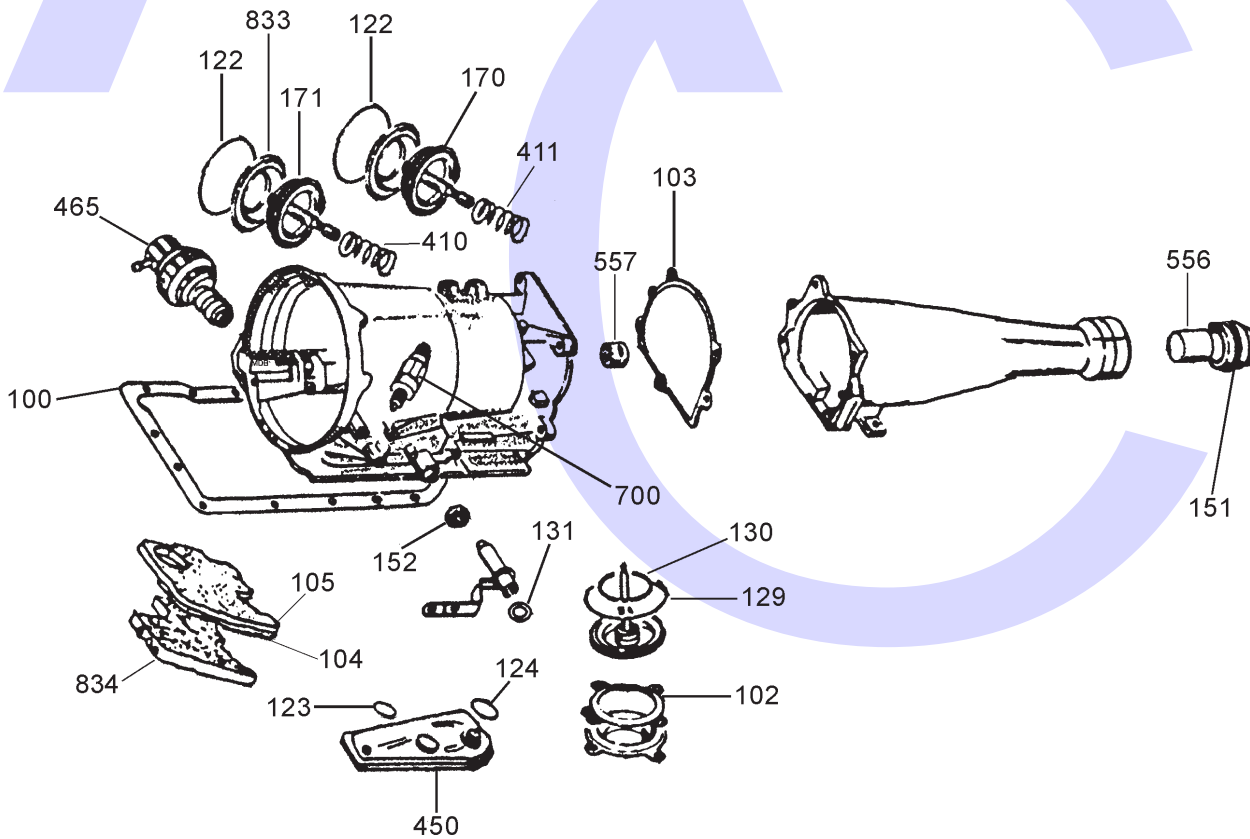
PLANET SETS

F



REAR BAND AND OUTPUT SHAFT

G



CASE AND SERVOS

# FORD A4LD

## 4 SPEED RWD WITH LOCK UP



ILL NO.	DESCRIPTION	YEARS	QTY	PART NO
<b>KITS</b>				
Kit	Overhaul Kit A4LD (Transtec) ...	85-ON	1	A4LD.OHK01
Kit	Overhaul Kit A4LD (Precision) ..	85-ON	1	A4LD.OHK51
Kit	Gasket & Seal.....	85-ON	1	A4LD.GSK01
<b>GASKETS</b>				
100G	Pan Gasket .....	85-ON	1	A4LD.GAS01
100G	Pan Gasket (Farpak).....	85-ON	1	A4LD.GAS10
101A	Front Pump .....	85-ON	1	C3.GAS02
102G	Rear Servo Cover Gasket.....	85-ON	1	C3.GAS04
103G	Extension Housing.....	85-ON	1	C3.GAS03
104G	Valve Body Lower .....	85-ON	1	A4LD.GAS02
104G	Valve Body Lower (OEM).....	85-ON	1	A4LD.GAS05
105G	Valve Body Upper .....	85-ON	1	A4LD.GAS03
105G	Valve Body Upper ( OEM).....	85-ON	1	A4LD.GAS04
NI	Bell Housing Bolt Washer .....	85-87	1	C3.GAS08
<b>RUBBER COMPONENTS</b>				
120A	Converter Housing Lathe Cut Seal .....	85-ON	1	C3.SQR01
121D	Forward Clutch Rubber Cushion Ring (Early)....	85-89	1	C3.RUB03
121D	Forward Clutch Rubber Cushion Ring (Late) .....	89-ON	1	A4LD.RUB01
122G	Servo Cover Seal.....	85-ON	2	A4LD.OR04
123G	Filter O Ring Small.....	86-ON	1	A4LD.OR03
124G	Filter O Ring Large.....	86-ON	1	A4LD.OR02
NI	Filler Tube Seal .....	85-ON	1	A4LD.OR10
NI	Modulator O Ring.....	85-ON	1	C3.OR03
NI	Bell Housing Bolt O'ring.....	85-ON	8	A4LD.OR05
NI	Large Cooler Union O'ring.....	85-ON	2	A4LD.OR06
129G	Rear Servo Outer 'O' Ring.....	85-ON	1	C3.OR01
130G	Rear Servo Inner 'O' Ring.....	85-ON	1	C3.OR02
131G	Kickdown Shaft 'O' Ring .....	85-ON	1	C3.OR04
132D	Fwd Clutch Inner Seal.....	85-ON	1	C3.SQR02
133D	Fwd Clutch Outer Seal.....	85-ON	1	C3.SQR03
134C	3rd/Rev Clutch L. Cut Inner .....	85-87	1	C3.SQR04
134C	3rd/Rev Clutch Lip Seal Inner... ..	87-ON	1	C3.LIP01
135C	3rd/Rev Clutch L. Cut Outer.....	85-87	1	C3.SQR05
135C	3rd/Rev Clutch Lip Seal Outer ..	87-ON	1	C3.LIP02
NI	O. D. Clutch L. Cut Inner.....	85-87	1	C3.SQR04
NI	O. D. Clutch Lip Seal Inner.....	87-ON	1	C3.LIP01
NI	O. D. Clutch L. Cut Outer.....	85-87	1	C3.SQR05
NI	O. D. Clutch Lip Seal Outer .....	87-ON	1	C3.LIP02
<b>METAL CLAD SEALS</b>				
150A	Front Pump Seal (W/Flange)....	85-ON	1	A4LD.MCS01
150A	Front Pump Seal (Transit).....	85-ON	1	A4LD.MCS02
151G	Extension Housing.....	85-ON	1	C3.MCS02
152G	Selector Shaft All.....	85-ON	1	C3.MCS03
<b>MOULDED PISTONS</b>				
170G	Inter Servo Piston (53mm 'AB') .....	Various	1	A4LD.SER03
	(49mm 'BB') .....	Various	1	A4LD.SER02
	(46mm 'CB') .....	Various	1	A4LD.SER01
	(45mm 'DB') .....	Various	1	A4LD.SER07
	(43mm 'EB') .....	Various	1	A4LD.SER08
	(42mm 'FB') .....	Various	1	A4LD.SER09
171G	O.D. Servo Piston (59mm 'ZC' Transit Diesel).....	Various	1	A4LD.SER10
	(53mm 'AB') .....	Various	1	A4LD.SER03
	(49mm 'BB') .....	Various	1	A4LD.SER02
	(46mm 'CB') .....	Various	1	A4LD.SER01
	(45mm 'DB') .....	Various	1	A4LD.SER07

ILL NO.	DESCRIPTION	YEARS	QTY	PART NO
<b>SEALING RINGS</b>				
Kit	Sealing Ring Kit (Transtec) (Without Viton Governor Rings)	85-ON	1	A4LD.SRK01
NI	Stator Support Front (Teflon Scarf Cut).....	85-ON	1	A4LD.SSR01
200A	Stator Support to OD Clutch (Steel) .....	85-ON	2	C3.SSR01
200A	Stator Support to OD Clutch (Teflon Scarf Cut).....	85-ON	2	C3.SSR05
201C	Centre Support (Viton Rubber) (Early Wide Type) .....	85-92	2	A4LD.SSR02
201C	Centre Support (Viton Rubber) (Late Narrow Type) .....	93-ON	2	A4LD.SSR03
202D	Fwd Clutch to C. Support (Steel) .....	85-ON	2	C3.SSR02
203F	Governor Hub (Viton Rubber)...	85-ON	3	C3.SSR04
<b>FRICITION PLATES</b>				
Kit	Friction Kit .....	85-89	1	A4LD.FRK01
Kit	Friction Kit (Alto) .....	85-89	1	A4LD.FRK51
Kit	Friction Kit .....	90-ON	1	A4LD.FRK02
Kit	Friction Kit (Alto) .....	90-ON	1	A4LD.FRK52
250B	Overdrive (2.00mm).....	85-89	2-3	A4LD.FRP01
250B	Overdrive (2.00mm) (Borg Warner) .....	85-89	2-3	A4LD.FRP11
250B	Overdrive (1.75mm).....	90-ON	3	A4LD.FRP04
250B	Overdrive (1.75mm) (Borg Warner) .....	90-ON	3	A4LD.FRP14
251C	Third & Reverse (2.00mm).....	85-89	4-5	C3.FRP02
251C	Third & Reverse (2.00mm) (Borg Warner) .....	85-89	4-5	C3.FRP12
251C	Third & Reverse (1.75mm).....	90-ON	4-5	A4LD.FRP03
251C	Third & Reverse (1.75mm) (Borg Warner) .....	90-ON	4-5	A4LD.FRP13
252D	Forward (2.00mm) .....	85-89	4-5	C3.FRP01
252D	Forward (2.00mm) (Borg Warner) .....	85-89	4-5	C3.FRP11
252D	Forward (2.00mm) (Alto) .....	85-89	4-5	C3.FRP51
252D	Forward (1.75mm) .....	90-ON	4-5	A4LD.FRP02
252D	Forward (1.75mm) (Borg Warner) .....	90-ON	4-5	A4LD.FRP12
<b>STEEL PLATES</b>				
Kit	Steel Plate Kit .....	85-89	1	A4LD.STK01
Kit	Steel Plate Kit (Alto).....	85-89	1	A4LD.STK51
Kit	Steel Plate Kit .....	90-ON	1	A4LD.STK02
Kit	Steel Plate Kit (Alto) .....	90-ON	1	A4LD.STK52
300B	Overdrive (1.70mm).....	85-89	2-3	C3.STP04
300B	Overdrive (1.65mm).....	89-ON	3	A4LD.STP02
301C	Third & Reverse (1.70mm).....	85-89	4-5	C3.STP04
301C	Third & Reverse (1.65mm).....	90-ON	4-6	A4LD.STP02
302D	Forward (1.70mm) .....	85-89	4-5	C3.STP02
302D	Forward (1.65mm) .....	90-ON	4-5	A4LD.STP01
<b>PRESSURE PLATES</b>				
400B	Overdrive (5.08mm) .....	90-ON	1	A4LD.PP01
400B	Overdrive (5.59mm).....	85-89	1	A4LD.PP03
401C	Third & Reverse (5.08mm).....	90-ON	1	A4LD.PP01
401C	Third & Reverse (5.59mm).....	85-89	1	A4LD.PP03
402D	Forward (5.08mm) .....	90-ON	1	A4LD.PP02
<b>SPRINGS &amp; CIRCLIPS</b>				
Kit	Snap Ring Kit .....	85-ON	1	A4LD.CIR10
NI	Return Spring O.D. Clutch .....	85-94	20	A4LD.SPR04
NI	Return Spring 3rd & Rev Ctch ..	85-94	20	A4LD.SPR04



# FORD A4LD

## 4 SPEED RWD WITH LOCK UP



AUTOMATIC CHOICE



THE AUTOMATIC TRANSMISSION PARTS WAREHOUSE

ILL NO.	DESCRIPTION	YEARS	QTY	PART NO
<b>SPRINGS &amp; CIRCLIPS Cont...</b>				
410G	Overdrive Servo.....	85-ON	1	<b>A4LD.SPR09</b>
411G	Intermediate Servo.....	85-ON	1	<b>A4LD.SPR08</b>
430B	Overdrive Piston Return Spring Retaining Circlip.....	85-ON	1	<b>A4LD.CIR01</b>
431B	Overdrive Clutch Pack Retaining Circlip (1.37mm Thick).....	85-ON	AR	<b>C3.CIR05</b>
	(1.67mm Thick).....	85-ON	AR	<b>C3.CIR04</b>
	(2.08mm Thick).....	85-ON	AR	<b>C3.CIR02</b>
	(2.44mm Thick).....	85-ON	AR	<b>C3.CIR01</b>
432C	Third & Reverse Piston Return Spring Retaining Circlip..	85-ON	1	<b>A4LD.CIR01</b>
433C	Third & Reverse Clutch Pack Retaining Circlip (1.37mm Thick).....	85-ON	AR	<b>C3.CIR05</b>
	(1.67mm Thick).....	85-ON	AR	<b>C3.CIR04</b>
	(2.08mm Thick).....	85-ON	AR	<b>C3.CIR02</b>
	(2.44mm Thick).....	85-ON	AR	<b>C3.CIR01</b>
434D	Forward Clutch Pack Retaining Circlip (1.35mm Thick).....	85-ON	AR	<b>C3.CIR03</b>
	(1.67mm Thick).....	85-ON	AR	<b>C3.CIR06</b>
	(2.10mm Thick).....	85-ON	AR	<b>C3.CIR07</b>
<b>FILTERS</b>				
Kit	Filter Kit (With A4LD.FIL01) .....	85-88	1	<b>A4LD.FILKIT01</b>
Kit	Filter Kit (With A4LD.FIL02) .....	89-93	1	<b>A4LD.FILKIT02</b>
Kit	Filter Kit (With A4LD.FIL03) .....	86-ON	1	<b>A4LD.FILKIT03</b>
Kit	Filter Kit (With A4LD.FIL13) .....	86-ON	1	<b>A4LD.FILKIT13</b>
Kit	Filter Kit (With A4LD.FIL16) .....	89-ON	1	<b>A4LD.FILKIT16</b>
450G	Filter Flat.....	85-88	1	<b>A4LD.FIL01</b>
450G	Filter Small Spout.....	89-93	1	<b>A4LD.FIL02</b>
450G	Filter (Large Paper Element).....	89-ON	1	<b>A4LD.FIL16</b>
450G	Filter Transit & Taxi .....	86-ON	1	<b>A4LD.FIL03</b>
450G	Filter Transit & Taxi (Felt Element) .....	86-ON	1	<b>A4LD.FIL13</b>
NI	Valve Body Solenoid Filter (Cone Shape).....	85-94	1	<b>A4LDFIL04</b>
NI	Valve Body Solenoid Filter (Square Shape).....	94-ON	1	<b>A4LDFIL05</b>
<b>MODULATORS</b>				
465G	Modulator 2.0 Ltr & 2.4 Ltr (Small Gold OEM No Longer Available) (Case Change Required) .....	85-87	1	<b>A4LD.MOD01</b>
465G	Modulator 2.8 Ltr (Small Silver OEM) .....	85-87	1	<b>A4LD.MOD02</b>
465G	Modulator Large All OEM.....	87-ON	1	<b>A4LD.MOD03</b>
465G	Modulator Large Adjustable .....	87-ON	1	<b>A4LD.MOD04</b>
465G	Modulator Large 2.8 Ltr (OEM) .....	87-88	1	<b>A4LD.MOD05</b>
83G	Modulator Large (With Large Wheel Aduster).....	87-ON	1	<b>A4LD.MOD06</b>
NI	Modulator Pin (Small Can).....	85-87	1	<b>A4LD.PIN01</b>
NI	Modulator Pin (Large Can).....	87-ON	1	<b>A4LD.PIN02</b>
NI	Electronic Modulator (Transit Diesel).....	????	1	<b>A4LD.ELE07</b>
NI	Electronic Modulator (Ultima Diesel) .....	????	1	<b>A4LD.ELE08</b>
NI	Modulator Pin (Small Can) (34.50mm Long x 2.45mm Dia) .....	85-87	1	<b>A4LD.PIN01</b>
NI	Modulator Pin (Large Can) (34.50mm Long x 3.14mm Dia) .....	88-ON	1	<b>A4LD.PIN02</b>

ILL NO.	DESCRIPTION	YEARS	QTY	PART NO
<b>BANDS</b>				
500B	Overdrive Band (AM) .....	85-ON	1	<b>C3.BAN01</b>
500B	Overdrive Band (Borg Warner) .....	85-ON	1	<b>C3.BAN12</b>
500B	Overdrive Band Flex Split Type (AM) (4.0 Ltr Engine) .....	90-92	1	<b>A4LD.BAN01</b>
501C	Intermediate Band (AM).....	85-ON	1	<b>C3.BAN01</b>
501C	Intermediate Band (Borg Warner) .....	85-ON	1	<b>C3.BAN12</b>
502F	Low & Reverse (AM).....	85-ON	1	<b>C3.BAN02</b>
502F	Low & Reverse (OEM) .....	85-ON	1	<b>C3.BAN03</b>
NI	Band Adjusting Nut .....	85-ON	2	<b>C3.NUT01</b>
NI	Rear Band Anchor Pin Kit (Sonnax) .....	85-ON	1	<b>A4LD.BAN02</b>
<b>BUSHINGS</b>				
Kit	Bush Kit.....	85-89	1	<b>A4LD.BK01</b>
Kit	Bush Kit.....	90-94	1	<b>A4LD.BK02</b>
550A	Bell Housing (Babbitt) .....	85-ON	1	<b>C3.BUS01</b>
550A	Bell Housing (Bronze).....	85-ON	1	<b>C3.BUS02</b>
551A	Stator Support.....	90-ON	1	<b>A4LD.BUS05</b>
552B	Overdrive Drum.....	85-ON	1	<b>A4LD.BUS07</b>
NI	Overdrive Planetary Annulus ....	85-ON	1	<b>A4LD.BUS08</b>
553B	Center Support/Overdrive Shaft Sleeve With Installation Tool (Sonnax®, <a href="#">Click here for Info</a> ) ..	85-ON	1	<b>A4LD.BUS10</b>
553B	Center Support/Overdrive Shaft Sleeve Without Installation Tool (Sonnax®, <a href="#">Click here for Info</a> ) ..	85-ON	1	<b>A4LD.BUS11</b>
554C	Third & Reverse Drum (Steel).....	85-ON	1	<b>A4LD.BUS02</b>
554C	Third & Reverse Drum (Cast) .....	85-ON	1	<b>A4LD.BUS06</b>
555.F	Output Shaft.....	85-89	1	<b>A4LD.BUS03</b>
555F	Output shaft .....	90-ON	1	<b>A4LD.BUS01</b>
556G	Extension Housing.....	85-ON	1	<b>C3.BUS03</b>
557G	Rear Case Bushing.....	85-ON	1	<b>C3.BUS05</b>
<b>THRUST WASHERS &amp; BEARINGS</b>				
Kit	Thrust Washer .....	85 only	1	<b>A4LD.TWK01</b>
Kit	Thrust Washer (Except 4.0Ltr) ..	86-ON	1	<b>A4LD.TWK02</b>
Kit	Thrust Washer (4.0 Ltr).....	90-ON	1	<b>A4LD.TWK03</b>
Kit	Selective Thrust Washer Pump & Centre Sup. (Plastic).....	85-ON	1	<b>A4LD.TK03</b>
600A	Front Pump to Overdrive Drum Selective #A 1.20mm .....	85-ON	AR	<b>C3.THW10</b>
	Selective #B 2.20mm .....	85-ON	AR	<b>C3.THW11</b>
	Selective #C 2.40mm.....	85-ON	AR	<b>C3.THW12</b>
	Selective #D 2.60mm.....	85-ON	AR	<b>C3.THW13</b>
	Selective #E 2.80mm .....	85-ON	AR	<b>C3.THW08</b>
	Selective #A 1.20mm Plastic.....	85-ON	AR	<b>C3.THW21</b>
	Selective #B 1.60mm Plastic .....	85-ON	AR	<b>C3.THW22</b>
	Selective #C 2.00mm Plastic .....	85-ON	AR	<b>C3.THW23</b>
	Selective #D 2.40mm Plastic .....	85-ON	AR	<b>C3.THW24</b>
	Selective #E 2.80mm Plastic .....	85-ON	AR	<b>C3.THW25</b>
601B	Overdrive Planetary Torrington ..	85-ON	1	<b>A4LD.TOR01</b>
602B	Centre Support Front Thrust Washer (2 Tangs).....	85-92	1	<b>A4LD.THW01</b>
602B	Centre Support Front (Radial Needle Bearing).....	92-ON	1	<b>A4LD.TOR02</b>
603B	Centre Support Rear Selective . Selective #1 1.40mm .....	85-ON	AR	<b>C3.THW01</b>
	Selective #2 1.60mm .....	85-ON	AR	<b>C3.THW02</b>
	Selective #3 1.70mm .....	85-ON	AR	<b>C3.THW03</b>
	Selective #4 1.80mm .....	85-ON	AR	<b>C3.THW04</b>
	Selective #5 1.90mm .....	85-ON	AR	<b>C3.THW05</b>
	Selective #6 2.00mm .....	85-ON	AR	<b>C3.THW06</b>
	Selective #7 2.10mm .....	85-ON	AR	<b>C3.THW07</b>
NI	Rear Centre Support (Use Only With Clip On Drive Shell) Selective Torrington 4.01mm ....	91-ON	AR	<b>A4LD.TOR03</b>

# FORD A4LD 4 SPEED RWD WITH LOCK UP



AUTOMATIC CHOICE



THE AUTOMATIC TRANSMISSION PARTS WAREHOUSE

ILL NO.	DESCRIPTION	YEARS	QTY	PART NO
<b>THRUST WASHERS &amp; BEARINGS Cont...</b>				
	Selective Torrington 3.81mm.....	91-ON	AR	<b>A4LD.TOR04</b>
	Selective Torrington 3.62mm.....	91-ON	AR	<b>A4LD.TOR05</b>
	Selective Torrington 3.41mm.....	91-ON	AR	<b>A4LD.TOR06</b>
604C	3rd & Rev. Drum to Fwd Drum..	85-ON	1	<b>A4LD.THW07</b>
605E	Front Planet (3 Tangs on I.D.)...	85-87	1	<b>C3.THW15</b>
606E	Front Planet (4 Tabs on I.D.).....	85-87	1	<b>C3.THW16</b>
607E	Thrust Washer 6 Tang (Forward Planet to Hub).....	85-87	1	<b>C3.THW09</b>
607E	Bearing & Race (Forward Planet to Hub).....	86-87	1	<b>A4LD.THW17</b>
608E	Thrust Plate (Rear of D. Shell)..	85-ON	1	<b>A4LD.THW14</b>
609E	Front of Alum Rear Planet.....	85-92	1	<b>C3.THW09</b>
609E	Front of Steel Rear Planet .....	92-ON	1	<b>A4LD.THW06</b>
610E	Rear of Alum Rear Planet .....	85-92	1	<b>C3.THW09</b>
610E	Rear of Steel Rear Planet.....	92-ON	1	<b>A4LD.THW05</b>
610E	Rear of Steel Rear Planet (4.0L 6 Tang W/3 Lube Groves ..	90-94	1	<b>A4LD.THW09</b>
611E	Rear Hub to OWC Inner Race ..	85-92	1	<b>C3.THW14</b>
611E	Rear Hub to OWC Inner Race ..	92-ON	1	<b>A4LD.THW04</b>
611E	Rear Hub to OWC Inner Race (4.0Ltr) .....	90-94	1	<b>A4LD.THW11</b>
NI	Retainer Rear OWC (4.0Ltr) .....	90-94	1	<b>A4LD.THW10</b>
NI	Late Low Sprag Update Kit (2 x Bronze, 1x Steel Washers)	90-94	1	<b>A4LD.THW15</b>
612F	Case to Governor Support.....	85-ON	1	<b>C3.THW19</b>
613E	Front Planet (Bearing & Race Set 3 Piece) ...	91-ON	1	<b>A4LD.THW18</b>
<b>ELECTRICAL COMPONENTS</b>				
NI	Electronic Modulator (Transit Diesel).....	????	1	<b>A4LD.ELE07</b>
NI	Electronic Modulator (Ultima Diesel) .....	????	1	<b>A4LD.ELE08</b>
700G	Inhibitor Switch (3 Pin).....	85-ON	1	<b>A4LD.INH01</b>
700G	Inhibitor Switch (4 Pin).....	85-ON	1	<b>CTX.INH02</b>
700G	Inhibitor Switch (5 Pin 4.0Ltr)....	85-ON	1	<b>A4LD.INH02</b>
NI	Kickdown Solenoid (2 Bolt).....	-4/89	1	<b>A4LD.SOL01</b>
NI	Kickdown Solenoid (3 Bolt With Round Connector) .	4/89-	1	<b>A4LD.SOL02</b>
NI	Kickdown Solenoid (3 Bolt With Triangular Connector).....	92-ON	1	<b>A4LD.SOL07</b>
NI	Lock Up Solenoid (OEM) .....	85-ON	1	<b>A4LD.SOL25</b>
NI	Lock Up Solenoid (Fitzall).....	85-ON	1	<b>A4LD.SOL06</b>
NI	3-4 Shift Solenoid (OEM).....	88-ON	1	<b>A4LD.SOL23</b>
NI	3-4 Shift Solenoid (Fitzall).....	88-ON	1	<b>A4LD.SOL03</b>
NI	3-4 Shift Solenoid With Spacer (Replaces Screen Type) .....	88-ON	1	<b>A4LD.SOL27</b>
NI	Spacer-3-4 Shift Shift Solenoid.	88-ON	1	<b>A4LD.SOL14</b>
NI	Speed Sensor (Round Connector) .....	TO-8/89	1	<b>A4LD.ELE05</b>
NI	Speed Sensor (Triangular Connector).....	8/89-ON	1	<b>A4LD.ELE02</b>
NI	Case Connector L/UP Solenoid (Early 2 Wire Single Solenoid) ..	85-ON	1	<b>A4LD.ELE06</b>
NI	Case Connector, L/Up & OD Solenoid (Late 3 Wire Twin Solenoid).....	88-ON	1	<b>A4LD.ELE03</b>
<b>VALVE BODY PARTS</b>				
Kit	Shift Kit (TransGo Junior™).....	85-ON	1	<b>A4LD.SK01</b>
Kit	Shift Kit (Full) .....	85-ON	1	<b>A4LD.SK02</b>
NI	Valve Body Internal Filter (Cone Shape).....	85-94	1	<b>A4LD.FIL04</b>
NI	Valve Body Solenoid Filter (Square Shape).....	94-ON	1	<b>A4LDFIL05</b>
NI	Clamp Bracket (Twin Sol's).....	87-94	1	<b>A4LD.ELE04</b>
NI	Sonax Boost Valve 'O' Ring .....	85-ON	1	<b>A4LD.OR11</b>

ILL NO.	DESCRIPTION	YEARS	QTY	PART NO
<b>VALVE BODY PARTS Cont...</b>				
NI	T.C. Shuttle Valve Spring .....	86-ON	1	<b>A4LD.SPR01</b>
NI	T.C. Shuttle Valve Spring (Sonnax) .....	86-ON	1	<b>A4LD.SPR07</b>
NI	Modified 4-3 Torque Demand Spring Early Single Sol V.B's ....	85-87	1	<b>A4LD.SPR02</b>
NI	3-4 Backout Valve Spring.....	85-94	1	<b>A4LD.SPR03</b>
NI	2-3 Backout Valve Spring.....	87-94	1	<b>A4LD.SPR05</b>
NI	Lock Up Anti Shudder Spring (2 Springs per Pack) .....	87-94	1	<b>A4LD.SPR06</b>
NI	Modulator Valve (Large Dia) .....	87-94	1	<b>A4LD.VA01</b>
NI	2-3 Throttle Pressure Modulator Valve (8.67mm Dia) ...	87-94	1	<b>A4LD.VA02</b>
NI	2-3 Throttle Pressure Modulator Valve (9.02mm Dia) .	87-94	1	<b>A4LD.VA03</b>
NI	2-3 Throttle Pressure Modulator Valve (9.40mm Dia) .	87-94	1	<b>A4LD.VA04</b>
NI	2-3 Throttle Pressure Modulator Valve (9.44mm Dia) .	87-94	1	<b>A4LD.VA05</b>
NI	Manual Valve Index (Ensures Correct Manual Valve Location)87-94	87-94	1	<b>A4LD.VA06</b>
NI	Large Ratio Press Regulator Boost Valve Kit (Sonnax) .....	85-94	1	<b>A4LD.VA07</b>
NI	Large Ratio Press Regulator Boost Valve Kit (Factory Style) .	85-94	1	<b>A4LD.VA09</b>
NI	Small Ratio Press Regulator Boost Valve Kit (Sonnax) .....	85-94	1	<b>A4LD.VA08</b>
NI	Small Ratio Press Regulator Boost Valve Kit (Factory Style) .	85-94	1	<b>A4LD.VA12</b>
NI	O. S. Pressure Reg Valve Kit With Boost Valve Kit.....	85-94	1	<b>A4LD.VA13</b>
NI	Retainer Kit (Use with A4LD.VA13 Above) ...	85-94	1	<b>A4LD.VA14</b>
NI	Retaining Pin - Valve Body .....	85-ON	AR	<b>A4LD.VA15</b>
NI	Retaining Disc - Valve Body.....	85-ON	AR	<b>A4LD.VA16</b>
NI	Retaining Plate (Rectangular) For Valve Body.....	85-ON	AR	<b>A4LD.VA17</b>
NI	Relief Valves (Pack of 10).....	85-ON	AR	<b>A4LD.VA18</b>
NI	Vacumn Control Valve (Transit) Governor Valve (2.5Ltr Diesel Transit Use With A4LD.GOV02 Governor Body)..	85-ON	1	<b>A4LD.VA10</b>
NI				<b>A4LD.VA11</b>
<b>HARD PARTS</b>				
800A	Pump Wear Plate .....	85-87	1	<b>A4LD.SP01</b>
800A	Pump Wear Plate .....	88-94	1	<b>A4LD.SP02</b>
801A	Pump Gear Set .....	85-94	1	<b>C3.PUM03</b>
802A	Pump New (Early Small Bolt Holes M6).....	85-87	1	<b>A4LD.PUM01</b>
802A	Pump New (Late Large Bolt Holes M8) .....	87-ON	1	<b>A4LD.PUM02</b>
802A	Pump Rebuilt (Early Small Bolt Holes M6).....	85-87	1	<b>A4LD.PUM31</b>
802A	Pump Rebuilt (Late Large Bolt Holes M8) .....	87-ON	1	<b>A4LD.PUM32</b>
803B	3 Plate Overdrive Drum (New) .....	85-89	1	<b>A4LD.DRU03</b>
803B	3 Plate Overdrive Drum (New) .....	90-94	1	<b>A4LD.DRU04</b>
803B	3 Plate Overdrive Drum (New) .....	90-94	1	<b>A4LD.DRU04</b>
803B	3 Plate Overdrive Drum (Transit New) .....	8/92-ON	1	<b>A4LD.DRU07</b>
803B	2 Plate Overdrive Drum (New) ..	92-ON	1	<b>A4LD.DRU11</b>
803B	2 Plate Overdrive Drum (Remanufactured) .....	85-ON	1	<b>A4LD.DRU34</b>
NI	Overdrive Clutch Piston .....	85-ON	1	<b>A4LD.PIS02</b>
804B	Overdrive Adaptor Plate.....	85-ON	1	<b>A4LD.THW03</b>

# FORD A4LD 4 SPEED RWD WITH LOCK UP



AUTOMATIC CHOICE



THE AUTOMATIC TRANSMISSION PARTS WAREHOUSE

ILL NO.	DESCRIPTION	YEARS	QTY	PART NO
<b>HARD PARTS Cont...</b>				
805B	Overdrive Sun Gear	85-ON	1	A4LD.SUN01
805B	Overdrive Sun Gear (4.0Ltr)	90-ON	1	A4LD.SUN04
806B	Overdrive Planet (New)	85-94	1	A4LD.PL02
806B	Overdrive Planet (Cosworth)	91-ON	1	A4LD.PL03
807B	Annulus - Overdrive Planetary (Metal One Way Clutch)	85-92	1	A4LD.PL21
807B	Annulus - Overdrive Planetary (Plastic One Way Clutch)	92-ON	1	A4LD.PL22
808B	Overdrive O.W.C. Retaining Plate	85-92	1	A4LD.THW02
809B	Overdrive Sprag (Metal Cage)	85-92	1	A4LD.OWC01
809B	Overdrive Sprag (Plastic Cage)	6/92-ON	1	A4LD.OWC02
810B	Overdrive Output Shaft Early	85-91	1	A4LD.SH02
810B	Overdrive Output Shaft Late	2/91-ON	1	A4LD.SH04
810B	Overdrive Output Shaft (4.0Ltr)	90-ON	1	A4LD.SH34
811B	Centre Support (Late Type) Requires Bearings to Convert Early Units to Late Spec	85-ON	1	A4LD.SUP01
811B	Centre Support (Early Type) (Remanufactured)	85-92	1	A4LD.SUP02
812C	5 Plate Steel 3rd & Rev Drum (New)	85-ON	1	A4LD.DRU02
812C	5 Plate Steel 3rd & Rev Drum (Remanufactured)	85-ON	1	A4LD.DRU32
812C	5 Plate Cast 3rd & Rev Drum	92-ON	1	A4LD.DRU01
812C	5 Plate Cast 3rd & Rev Drum (C3 Early Type)	85-92	1	C3.DRU01
812C	6 Plate 3rd & Rev Drum	90-ON	1	A4LD.DRU08
813C	3rd & Rev Clutch Piston	92-ON	1	C3.PIS02
813C	3rd & Rev Clutch Piston (Large Diameter to Suit A4LD.DRU01)	92-ON	1	A4LD.PIS01
814D	Input Shaft	85-ON	1	A4LD.SH01
815D	Drum, Forward Clutch (6 Plate) (Uses Bearing at Front)	90-95	1	A4LD.DRU14
816D	Retainer, Forward piston Spring	85-ON	1	A4LD.RET02
817E	Hub - Fwd Planetary Annulus (40.40mm ID x 57 Splines)	87-ON	1	A4LD.HUB04
817E	Hub - Fwd Planetary Annulus (40.40mm ID x 12 Splines)	87-ON	1	A4LD.HUB05
819E	Fwd Planetary Alum (With Snap Ring Groove)	85-87	1	C3.PL03
819E	Fwd Planetary Alum (Without Snap Ring Groove) With Ringear, Hub & Washers	88-91	1	C3.PL01
819E	Fwd Planetary (Steel 3 Pin)	88-94	1	A4LD.PL07
819E	Fwd Planetary (Steel 4 Pin)	92-ON	1	A4LD.PL05
819E	Fwd Planetary (Steel 6 Pin)	92-ON	1	A4LD.PL06
820E	Forward Sun Gear	85-ON	1	A4LD.SUN02
821E	Drive Shell (Non Clip on Type)	85-ON	1	A4LD.POT02
821E	Drive Shell (Clip on Type)	89-92	1	A4LD.POT03
822E	Low Planetary (Alum 3 Pin)	85-89	1	C3.PL02
822E	Low Planetary (Steel 4 Pin)	85-90	1	A4LD.PL08
822E	Low Planetary (Steel 6 Pin)	90-ON	1	A4LD.PL09
822E	Low Planetary (Steel 6 Pin with 30 Lugs)	90-ON	1	A4LD.PL10
823E	Annulus - Low Planetary (Washer Type)	85-94	1	A4LD.PL11
823E	Annulus - Low Planetary (4.0Ltr 40.90mm OD)	85-94	1	A4LD.PL29
824E	Hub Rear Anulus (Late)	92-ON	1	A4LD.HUB01
825F	Reverse Band Drum & OWC 2.9 Transit & 4.0 Ltr	90-94	1	A4LD.DRU10
825F	Reverse Band Drum Less OWC 2.9 Transit & 4.0 Ltr	90-94	1	A4LD.HUB02
826F	Low OWC Inner Race (Except 4.0Ltr)	85-ON	1	A4LD.OWC04
826F	Low OWC Inner Race (4.0Ltr 68.45mm OD)	90-ON	1	A4LD.OWC05

ILL NO.	DESCRIPTION	YEARS	QTY	PART NO
<b>HARD PARTS Cont...</b>				
827F	Rear One Way Clutch (Large 4.0 Ltr Sprag Style)	90-94	1	5R55E.OWC02
828F	Low OWC Spring & Roller Kit	85-ON	1	A4LD.OWC06
NI	Late Model Low Sprag Update Kit (Drum, Inner Race & Washers)	92-ON	1	A4LD.OWC07
830F	Governor Body	85-ON	1	A4LD.GOV01
830F	Governor Body (2.5 D Transit)	85-ON	1	A4LD.GOV02
830F	Governor Body (4.0Ltr)	90-ON	1	A4LD.GOV03
831B	O/D Piston Spring Retainer	85-ON	1	A4LD.RET01
832C	3rd & Rev Piston Spr Retainer	85-ON	1	A4LD.RET01
833G	Overdrive Servo Cover 'AB'	85-ON	1	A4LD.COV03
833G	Overdrive Servo Cover 'ZC' (For Diesel Transit 59mm)	90-ON	1	A4LD.COV10
834G	Valve Body Assembly (2.5Ltr Diesel Transit)	90-ON	1	NLA 12/18
834G	Valve Body Assembly Own Unit Repair Only (2nd Design Transit no Solenoids)	90-ON	1	A4LD.VB12
834G	Valve Body Assembly (4.0Ltr)	90-ON	1	A4LD.VB08
NI	Int & O.D. Band Lever 'A'	85-ON	1-2	A4LD.LEV03
NI	Int & O.D. Band Lever 'B'	85-ON	1-2	A4LD.LEV02
NI	Int & O.D. Band Lever 'C'	85-ON	1-2	A4LD.LEV04
NI	Int & O.D. Band Lever 'G'	85-ON	1-2	A4LD.LEV01
<b>SPECIAL ITEMS</b>				
NI	Modulator Pin (Small Can) (34.50mm Long x 2.45mm Dia)	85-87	1	A4LD.PIN01
NI	Modulator Pin (Large Can) (34.50mm Long x 3.14mm Dia)	88-ON	1	A4LD.PIN02
NI	Nut - Band Adjuster	85-ON	2	C3.NUT01
NI	Case Breather Pipe	85-ON	1	A4LD.BRE01
NI	Cable Clip	85-ON	1	A4LD.CL01
NI	Torque Converter Nut	85-ON	4	A4LD.NUT01
NI	Caged Centre Support Nut	85-ON	1	A4LD.NUT02
NI	Filler Tube	85-ON	1	A4LD.TU01
NI	Taxi Converter Adaptor Plate		1	A4LD.FP01
NI	Magnet (Oil Pan)	85-ON	1	A4LD.MAG01
NI	Cooler to Case Union (Large)	92-94	2	A4LD.UN01
NI	Transit Vacuum Metering Valve (Fits on Throttle Linkage)	Diesel	1	A4LD.VA10
NI	Case Repair Sleeve (Selector Shaft) (Requires A4LD.TOOL08)		1	A4LD.SL01
NI	Revse Servo Sleeve Kit (Sonnax) (Requires Machining of the Servo)	85-ON	1	A4LD.SL02
<b>TOOLS &amp; SERVICE MANUALS</b>				
NI	ATSG Rebuild Manual	85-ON		A4LD.MAN01
NI	ATSG Update Hand Book	85-ON		A4LD.MAN03
<a href="#">Click here to view special tools for this transmission</a>				