

HYUNDAI A4AF1/2, A4BF1/2 & F4A32-1 4 SPEED FWD With Lock Up (Electronic Control)

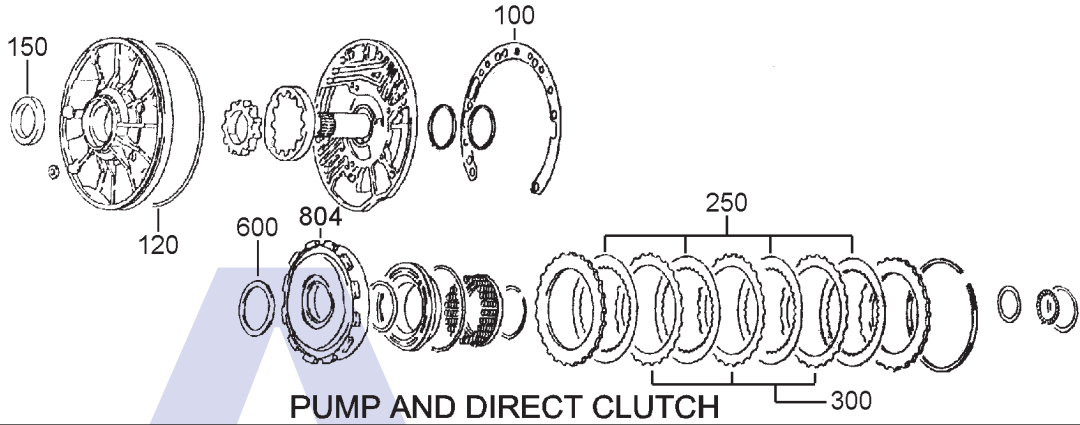


AUTOMATIC CHOICE



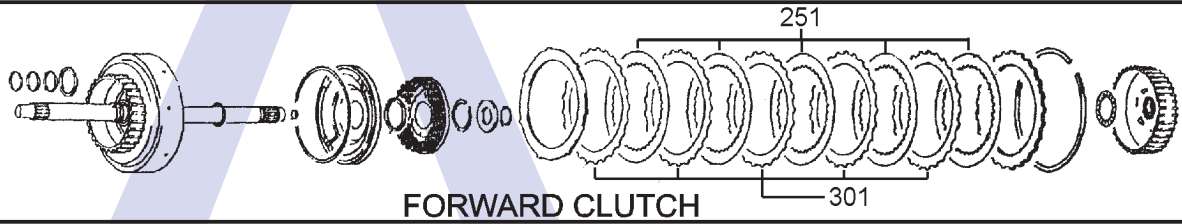
THE AUTOMATIC TRANSMISSION PARTS WAREHOUSE

A



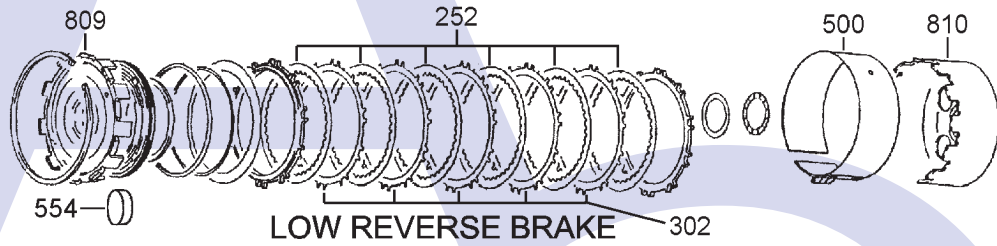
PUMP AND DIRECT CLUTCH

B



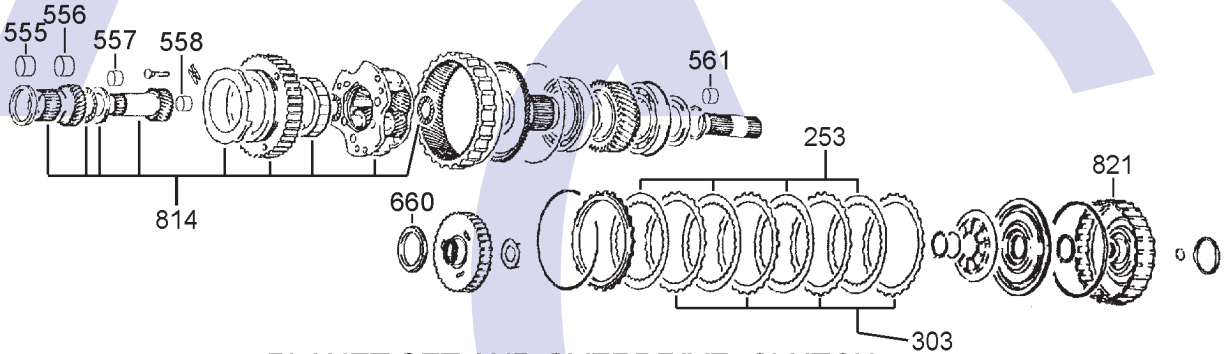
FORWARD CLUTCH

C



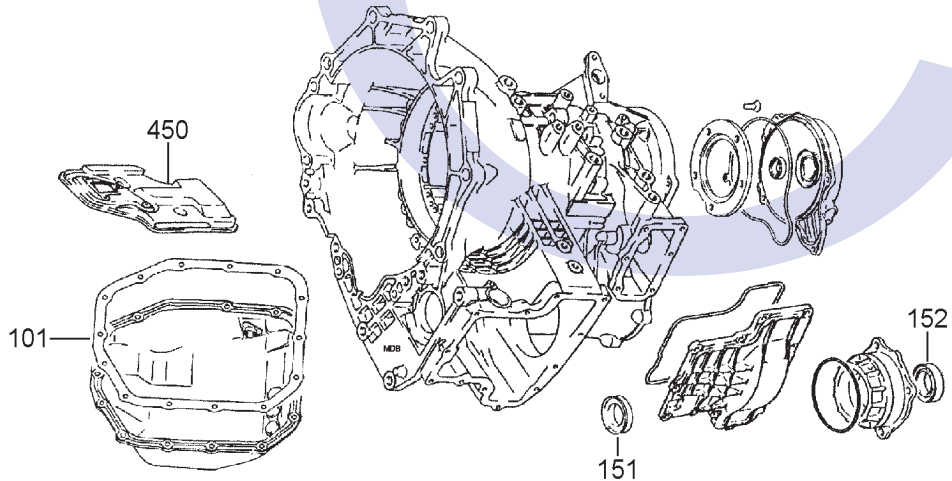
LOW REVERSE BRAKE

D



PLANET SET AND OVERDRIVE CLUTCH

E



CASE AND PAN

HYUNDAI A4AF1/2, A4BF1/2 & F4A32-1 4 SPEED FWD With Lock Up (Electronic Control)



AUTOMATIC CHOICE



THE AUTOMATIC TRANSMISSION PARTS WAREHOUSE

ILL NO.	DESCRIPTION	YEARS	QTY	PART NO
KITS				
Kit	Overhaul A4AF1/2, A4BF1/2 Hyundai Scoupe (Transtec)	93-99	1	KM177.OHK03
Kit	Overhaul A4AF2, A4BF1 Hyundai Scoupe (Precision)	93-99	1	A4AF.OHK51
Kit	Overhaul A4AF2, A4BF1 (With Viton Clutch Seals) Hyundai Scoupe (Precision)	93-99	1	A4AF.OHK52
Kit	Overhaul Kit (OEM) Hyundai Getz (A4BF1).....	93-99	1	KM177.OHK18
Kit	Overhaul F4A32-1, A4AF-1 (Precision).....	93-99	1	F4A32.OHK51
GASKETS				
100A	Pump Gasket A4AF1/2	93-ON	1	KM177.GAS04
101E	Pan Gasket A4AF1/2	93-ON	1	KM177.GAS05
101E	Pan Gasket A4BF1 (Lantra).....	96-ON	1	KM177.GAS06
RUBBER COMPONENTS				
120A	Pump O Ring	91-ON	1	KM170.OR01
METAL CLAD SEALS				
150A	Front Pump Seal.....	91-ON	1	KM170.MCS01
151E	Drive Shaft Seal (Left Hand).....	91-ON	1	KM170.MCS02
152E	Drive Shaft Seal (Right Hand)...	91-ON	1	KM170.MCS02
MOULDED PISTONS				
SEALING RINGS				
Kit	Sealing Ring Kit (A4BF2/3).....	96-ON	1	KM177.SRK02
FRICION PLATES				
Kit	Friction Plate A4AF1 (Alto).....	93-ON	1	A4AF.FRK51
Kit	Friction Plate A4AF2, A4BF1, F4A32 (Alto)	96-ON	1	A4AF.FRK52
250A	Direct Friction (127 x 38T x 1.70mm Thick)	93-ON	4	KM170.FRP12
250A	Direct Friction (127 O.D. x 104 I.D. x 38T x 1.90mm Thick)	93-ON	4	KM170.FRP04
251B	Forward Friction (127 x 38T x 1.70mm Thick)	93-ON	4	KM170.FRP12
251B	Forward Friction (127 x 38T x 1.90mm Thick)	93-ON	4	KM170.FRP04
252C	Low/ Rev Friction (152 O.D. x 51T x 1.85mm)	93-ON	6	KM170.FRP05
253D	Overdrive Friction (123mm x 40T x 1.80mm).....	91-ON	3	KM170.FRP06
253D	Overdrive Friction A4BF3 (Alto) (123mm x 36T x 1.65mm).....	00-ON	3	KM170.FRP13
Check sizes before ordering as variations may exist				

ILL NO.	DESCRIPTION	YEARS	QTY	PART NO
STEEL PLATES				
Kit	Steel Plate A4AF1 (Alto)	93-ON	1	A4AF.STK51
Kit	Steel Plate A4AF2, A4BF1, F4A32 (Alto)	96-ON	1	A4AF.STK52
300A	Direct Steel (104.4 I.D. x 3.70mm x24T)	93-ON	3	KM170.STP02
300A	Direct Steel (104.4 I.D. x 3.00mm x24T)	93-ON	3	KM170.STP06
301B	Forward Steel (104.4 I.D. x 1.80mm x 24T)	93-ON	2	KM170.STP04
302C	Low & Reverse Brake (134mm ID x 1.00mm x 20T)	89-ON	5	KM170.STP15
302C	Low & Reverse Brake (134mm ID x 1.08mm x 20T)	89-ON	5	KM170.STP16
303D	Overdrive (105.7mm ID x 0.80mm x 25T) .	91-ON	3-4	KM170.STP05
303D	Overdrive A4BF3 (95.80mm ID x 4.00mm x 25T) .	00-ON	3-4	KM170.STP20
Check sizes before ordering as variations may exist				
PRESSURE PLATES				
SPRINGS & CIRCLIPS				
FILTERS				
450E	Filter A4AF1/2, A4BF1	93-ON	1	KM177.FIL01
450E	Filter (Hyundai S Coupe)	99-ON	1	KM177.FIL02
450E	Filter A4BF2/3	99-03	1	KM177.FIL02
Check with data sheet at start of section as variations may exist				
BANDS				
500C	Band (44mm Wide).....	93-ON	1	KM177.BAN01
BUSHINGS				
554C	Centre Support (Narrow) (42.926mm ID)	93-ON	1	KM175.BUS05
555D	Reverse Sun Gear (Front) (28.00mm ID)	93-ON	1	KM175.BUS04
556D	Reverse Sun Gear (Rear) (28.00mm ID)	93-ON	1	KM175.BUS04
557D	Forward Sun gear Front (20.57mm ID)	93-ON	1	KM175.BUS03
558D	Forward Sun gear Rear (20.57mm ID)	93-ON	1	KM175.BUS03
561D	Overdrive Shaft (20.57mm ID)	93-ON	1	KM175.BUS03
NI	Pump	93-ON	1	KM170.BUS01

HYUNDAI A4AF1/2, A4BF1/2 & F4A32-1 4 SPEED FWD With Lock Up (Electronic Control)



AUTOMATIC CHOICE



THE AUTOMATIC TRANSMISSION PARTS WAREHOUSE

ILL NO.	DESCRIPTION	YEARS	QTY	PART NO
THRUST WASHERS & BEARINGS				
600A	Thrust Washer, Pump to Direct Clutch Drum Selective			
	(1.80mm).....	00-ON	AR	KM170.THW03
	(2.20mm).....	00-ON	AR	KM170.THW02
	(2.60mm).....	00-ON	AR	KM170.THW01
	(3.00mm).....	00-ON	AR	KM170.THW04
660D	Radial Bearing, Overdrive Hub Front	00-ON	1	KM177.TOR02
ELECTRICAL COMPONENTS				
NI	Solenoid Assembly (6 Sols) (Rostra)	00-ON	1	KM177.SOL04
VALVE BODY PARTS				
HARD PARTS				
804A	Dirct Drum (Accent)	91-ON	1	A4AF.DRU01
809C	Centre Support (37mm Tall)	91-ON	1	KM177.SUP01
809C	Centre Support (40mm Tall)	91-ON	1	KM177.SUP02
810C	Kickdown Drum (100mm Tall) (OEM)	91-ON	1	KM177.POT01
810C	Kickdown Drum (100mm Tall) (Aftermarket)	91-ON	1	KM177.POT31
810C	Kickdown Drum (90mm Tall) (Aftermarket)	91-ON	1	KM177.POT04
814D	Planetary Assy (A4AF1/F2) (Accent)	91-ON	1	KM177.PL04
821D	Drum, Overdrive (A4AF1/2)	91-ON	1	KM177.DRU20
821D	Drum, Overdrive (A4AF1/2) (23mm High)	91-ON	1	KM177.DRU21
SPECIAL ITEMS				
TOOLS & MANUALS				
<p>Click here to view special tools for this transmission</p>				

ILL NO.	DESCRIPTION	YEARS	QTY	PART NO
---------	-------------	-------	-----	---------