

# A404 (30TH), A413, A470, A670 (31TH)

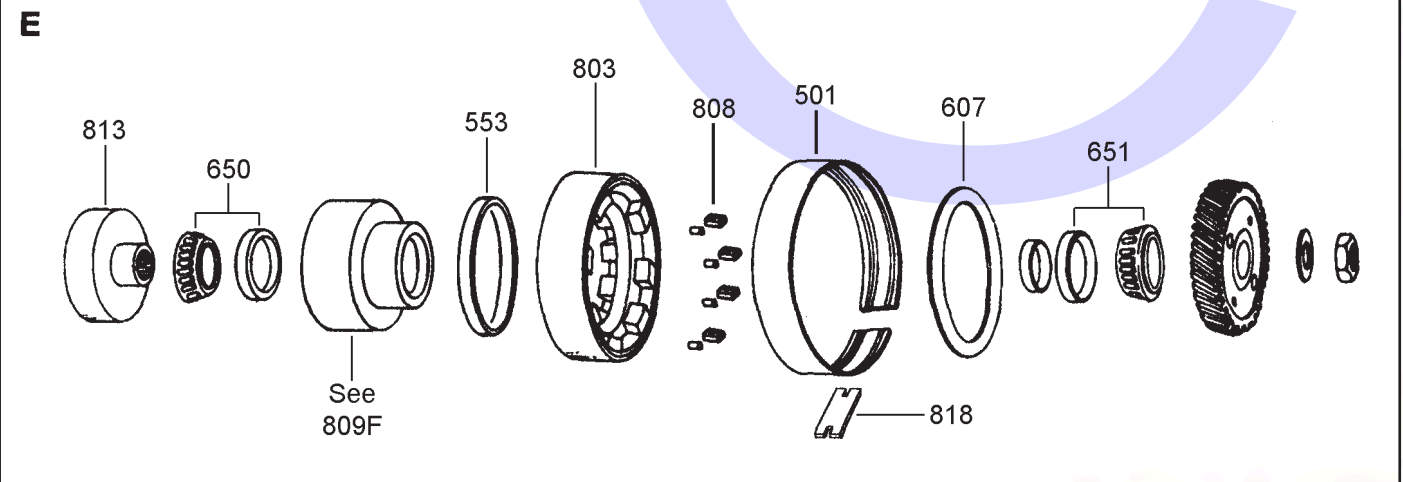
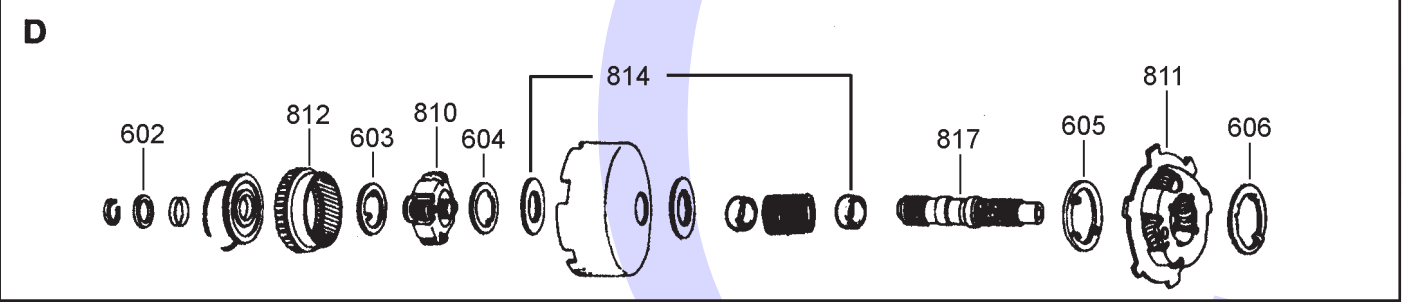
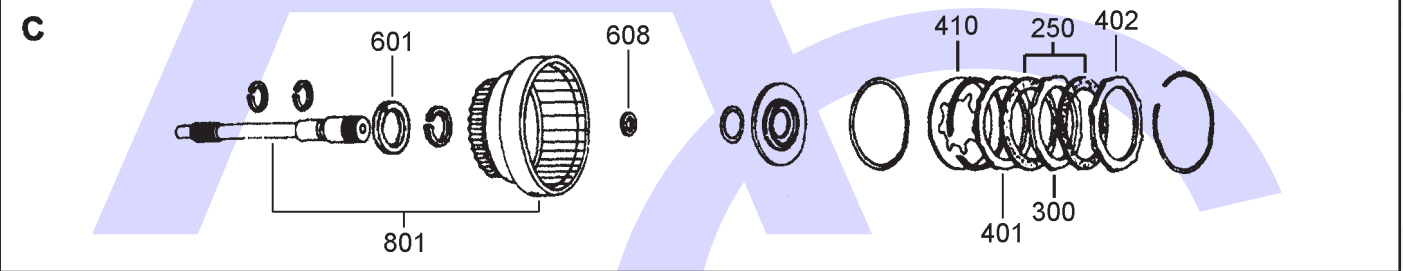
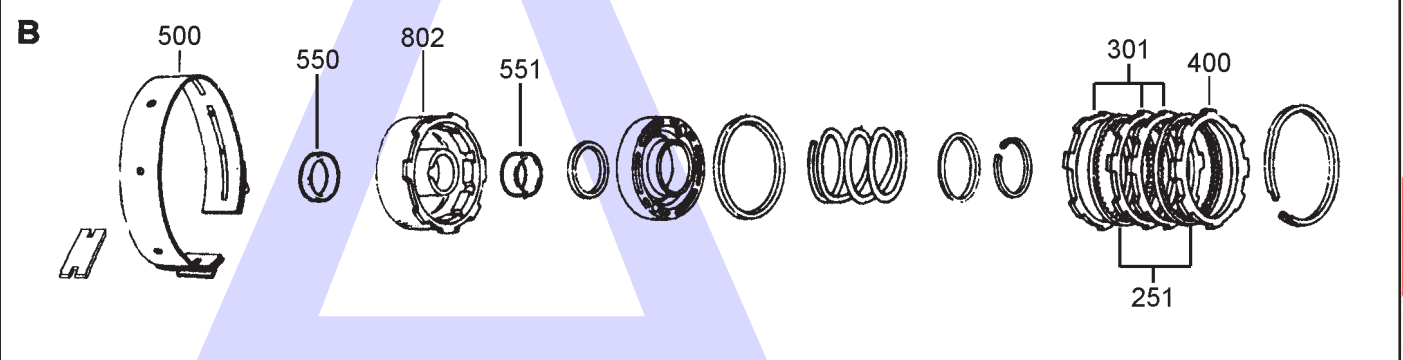
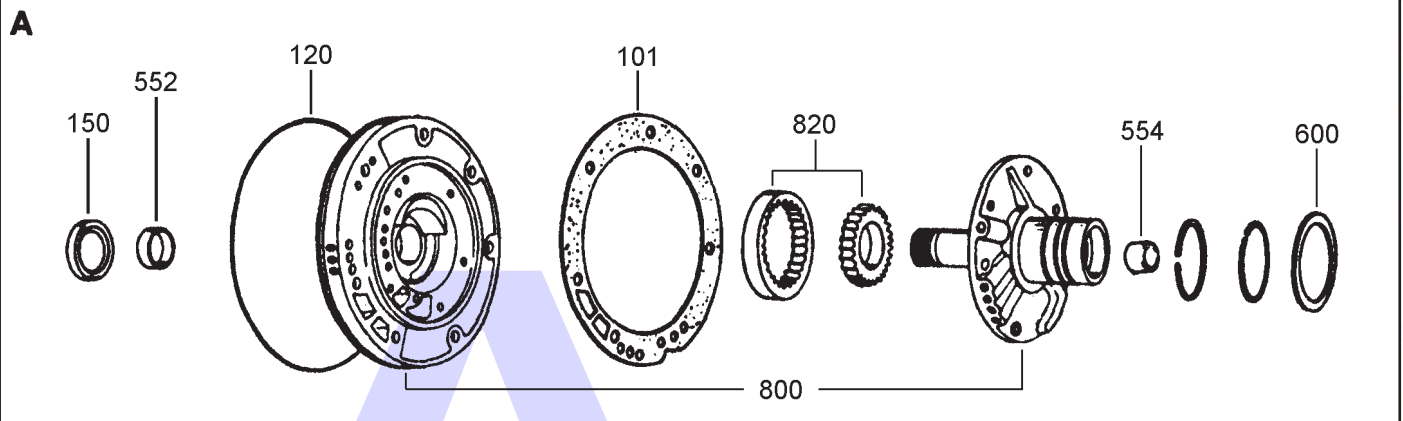
## 3 SPEED FWD LOCK UP & NON LOCK UP



AUTOMATIC CHOICE



THE AUTOMATIC TRANSMISSION PARTS WAREHOUSE



# A404 (30TH), A413, A470, A670 (31TH)

3 SPEED FWD LOCK UP & NON LOCK UP

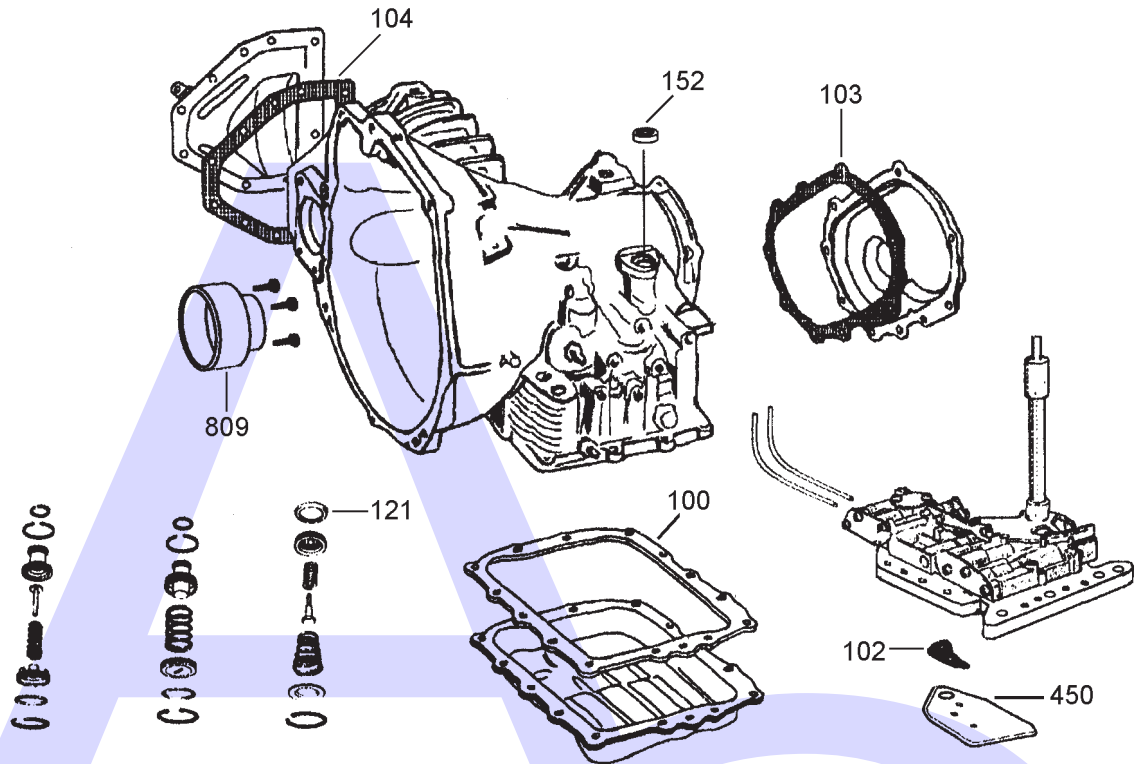


AUTOMATIC CHOICE

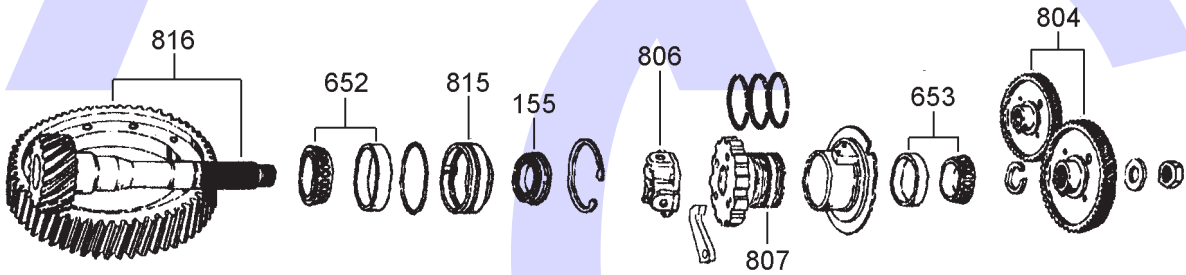


THE AUTOMATIC TRANSMISSION PARTS WAREHOUSE

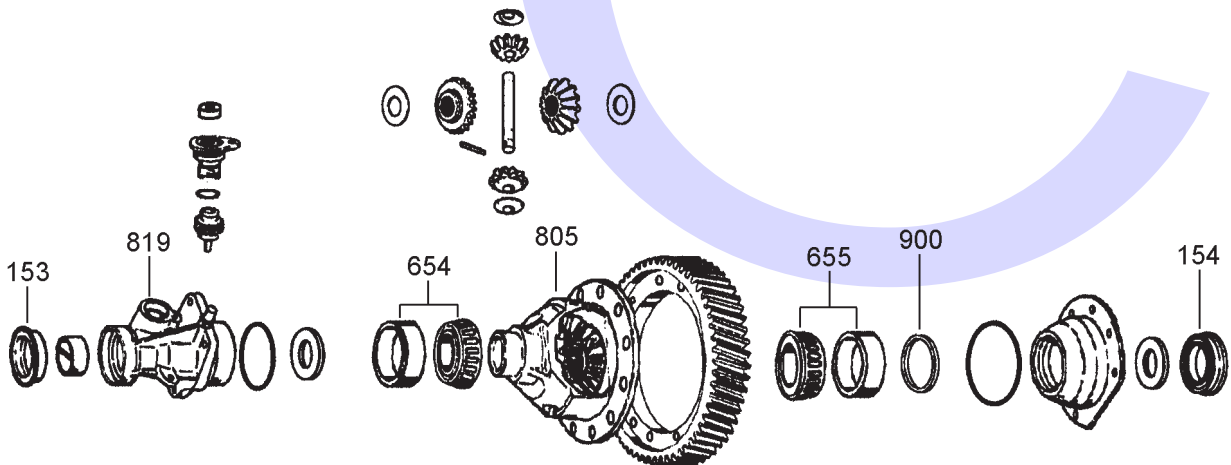
F



G



H



# A404 (30TH), A413, A470, A670 (31TH)

## 3 SPEED FWD LOCK UP & NON LOCK UP



AUTOMATIC CHOICE



THE AUTOMATIC TRANSMISSION PARTS WAREHOUSE

ILL NO.	DESCRIPTION	YEARS	QTY	PART NO
<b>KITS</b>				
Kit	Combi Overhaul Kit (Transtec) (A404, A413, A670).....	78-ON	1	<b>A404.OHK02</b>
Kit	Combi Overhaul Kit (Precision) (A404, A413, A670).....	78-ON	1	<b>A404.OHK52</b>
<b>GASKETS</b>				
100F	Oil Pan 14 Bolt Pan (Cork & Neoprene).....	78-ON	1	<b>A404.GAS01</b>
101A	Pump Gasket.....	78-ON	1	<b>A404.GAS02</b>
102E	Gasket-Pan Filter.....	78-ON	1	<b>A404.GAS03</b>
103F	Gasket-End Cover.....	78-ON	1	<b>A404.GAS04</b>
104F	Gasket-Diff Cover.....	78-ON	1	<b>A404.GAS05</b>
<b>RUBBER COMPONENTS</b>				
120A	Pump 'O' Ring.....	78-ON	1	<b>A404.OR01</b>
121F	Lip Seal Reverse Servo Piston (Viton Casting No.4269736).....	78-ON	1	<b>A404.OR02</b>
<b>SEALS</b>				
150A	Pump Seal.....	78-ON	1	<b>TF6.MCS01</b>
152F	Selector Shaft Seal.....	78-ON	1	<b>TF8.MCS04</b>
153H	Extension/Axle Seal.....	78-ON	1	<b>A404.MCS02</b>
154H	Diff Bearing/Axle Seal.....	78-ON	1	<b>A404.MCS02</b>
155G	Transfer Shaft.....	78-ON	1	<b>A404.MCS03</b>
<b>SEALING RINGS</b>				
Kit	Sealing Ring.....	81-ON	1	<b>A404.SRK01</b>
<b>FRICITION PLATES</b>				
Kit	Friction Plate Kit.....	81-ON	1	<b>A404.FRK02</b>
Kit	Friction Plate Kit (Alto).....	79-80	1	<b>A404.FRK52</b>
Kit	Friction Plate Kit (Alto).....	81-ON	1	<b>A404.FRK51</b>
250C	Rear / Forward Smooth (124mm OD x 1.80mm x 47T) ..	78-80	2-3	<b>A404.FRP02</b>
250C	Rear / Forward Smooth (124mm OD x 1.83mm x 49T) ..	81-ON	3-4	<b>A404.FRP03</b>
251B	Front / Direct Grooved (124mm OD x 2.16mm x 46T) ..	78-ON	3-4	<b>A404.FRP01</b>
<b>STEEL PLATES</b>				
Kit	Steel Plate Kit.....	81-ON	1	<b>A404.STK02</b>
Kit	Steel Plate Kit (Alto).....	79-80	1	<b>A404.STK52</b>
Kit	Steel Plate Kit (Alto).....	81-ON	1	<b>A404.STK51</b>
300C	Rear / Forward (104.20mm ID x 1.75mm x 8T) .	78-80	2	<b>A404.STP01</b>
300C	Rear / Forward (108mm ID x 1.80mm x 8T) .....	81-ON	2-3	<b>A404.STP03</b>
301B	Front / Direct (104.20mm ID x 1.75mm x 8T) .	78-80	3-4	<b>A404.STP01</b>
301B	Front / Direct (104.20mm ID x 2.54mm x 8T) .	81-ON	3	<b>A404.STP02</b>
<b>PRESSURE PLATES</b>				
400B	Pressure Plate Front Clutch Flat (4.72mm Thick x 103.50mm ID)	78-ON	1	<b>A404.PP08</b>
400B	Pressure Plate Front Clutch Flat (4.82mm Thick x 103.50mm ID)	78-ON	1	<b>A404.PP02</b>

ILL NO.	DESCRIPTION	YEARS	QTY	PART NO
<b>PRESSURE PLATES Cont...</b>				
400B	Pressure Plate Front Clutch Flat (5.26mm Thick x 103.50mm ID)	81-ON	1	<b>A404.PP07</b>
400B	Pressure Plate Front Clutch Flat (6.73mm Thick x 103.50mm ID)	78-ON	1	<b>A404.PP01</b>
401C	Pressure Plate Rear Clutch Beveled (103.60mm ID).....	78-80	1	<b>A404.PP03</b>
401C	Pressure Plate Rear Clutch Beveled (108.00mm ID).....	81-ON	1	<b>A404.PP04</b>
402C	Pressure Plate Rear Clutch Flat (6.73mm Thick x 103.50mm ID)	78-80	1	<b>A404.PP01</b>
402C	Pressure Plate Rear Clutch Flat (4.82mm Thick x 103.50mm ID)	78-80	1	<b>A404.PP02</b>
402C	Pressure Plate Rear Clutch Flat (5.00mm Thick x 108mm ID).....	78-80	1	<b>A404.PP05</b>
402C	Pressure Plate Rear Clutch Flat (5.20mm Thick x 108mm ID).....	78-80	1	<b>A404.PP06</b>
<b>SPRINGS &amp; CIRCLIPS</b>				
Kit	Circlip Kit.....	78-ON	1	<b>A404.CIR10</b>
410C	Rear/ Forward Diaphragm .....	78-ON	1	<b>A404.DIA01</b>
<b>FILTERS</b>				
450F	Pan Filter (Dacron).....	78-82	1	<b>A404.FIL01</b>
450F	Pan Filter (Metal & Plastic) .....	82-ON	1	<b>A404.FIL02</b>
NI	Valve Body Filter.....	78-ON	1	<b>A404.FIL03</b>
NI	Governor Filter.....	78-ON	1	<b>A404.FIL04</b>
<b>BANDS</b>				
500B	Front Band (Kick Down).....	78-ON	1	<b>A404.BAN01</b>
501E	Rear Band Low / Reverse.....	78-ON	1	<b>A404.BAN02</b>
<b>BUSHES</b>				
Kit	Bush Kit.....	78-ON	1	<b>A404.BK01</b>
550B	Front Clutch Retainer Front (Large) .....	78-ON	1	<b>A404.BUS02</b>
551B	Front Clutch Retainer Rear (Small).....	78-ON	1	<b>A404.BUS03</b>
552A	Front Pump Housing (Bronze) ..	78-ON	1	<b>TF6.BUS01 *</b>
552A	Front Pump (5 Pack Sonnax)....	78-ON	1	<b>A604.BUS01</b>
553E	Low Reverse Drum .....	78-ON	1	<b>A404.BUS04</b>
554A	Rear Stator to Turbine Shaft (22.35mm ID x 14mm long) .....	78-85	1	<b>TF6.BUS02</b>
<b>* Can Use BW55.BUS01</b>				
<b>THRUST WASHERS &amp; BEARINGS</b>				
Kit	Thrust Washer Kit (404/413/470/670 5 Tang).....	78-ON	1	<b>A404.TWK01</b>
Kit	Thrust Washer Kit (413/470/670).....	81-ON	1	<b>A404.TWK01</b>
600A	Pump to Front Clutch.....	78-ON	1	<b>A404.THW02</b>
601C	Front C. Drum to Rear C.Drum.	78-ON	1	<b>A404.THW03</b>
602D	Thrust Washer Front Ring Gear Hub to Annulus Gear.....	78-ON	1	<b>A404.THW01</b>
603D	Front Planet Carrier (Front) (4 Tab 60mm OD) .....	78-80	1	<b>A404.THW04</b>

# A404 (30TH), A413, A470, A670 (31TH)

## 3 SPEED FWD LOCK UP & NON LOCK UP



AUTOMATIC CHOICE



THE AUTOMATIC TRANSMISSION PARTS WAREHOUSE

ILL NO.	DESCRIPTION	YEARS	QTY	PART NO
<b>THRUST WASHERS &amp; BEARINGS Cont...</b>				
603D	Front Planet Carrier (Front) (4 Tab 68mm OD) .....	81-ON	1	<b>A404.THW05</b>
604D	Front Planet Carrier (Rear) (4 Tab 60mm OD) .....	78-80	1	<b>A404.THW04</b>
604D	Front Planet Carrier (Rear) (4 Tab 68mm OD) .....	81-ON	1	<b>A404.THW05</b>
605D	Rear Planet Carrier (Front) (4 Tab 60mm OD) .....	78-80	1	<b>A404.THW04</b>
605D	Rear Planet Carrier (Front) (4 Tab 68mm OD) .....	81-ON	1	<b>A404.THW05</b>
606D	Rear Planet Carrier (Rear) (4 Tab 60mm OD) .....	78-80	1	<b>A404.THW04</b>
606D	Rear Planet Carrier (Rear) (4 Tab 68mm OD) .....	81-ON	1	<b>A404.THW05</b>
NI	Front & Rear Planet Carrier (Wide Ratio 5 Pinion) .....	96-ON	2	<b>A404.THW06</b>
607E	One Way Clutch Cam (Fibre)....	78-ON	1	<b>A404.THW07</b>
608C	Output Shaft (1.98mm to 2.03mm).....	78-ON	AR	<b>A404.THW08</b>
608C	Output Shaft (2.16mm to 2.21mm).....	78-ON	AR	<b>A404.THW09</b>
608C	Output Shaft (2.34mm to 2.39mm).....	78-ON	AR	<b>A404.THW10</b>
650E	Bearing & Race Assy Output Ring Gear to Case .....	78-ON	1	<b>A404.BE01</b>
651E	Bearing & Race Assy Drive Sprocket .....	78-ON	1	<b>A404.BE01</b>
652G	Bearing & Race Assy Transfer Shaft .....	78-ON	1	<b>A404.BE02</b>
653G	Bearing & Race Assy Driven Sprocket .....	78-ON	1	<b>A404.BE02</b>
654H	Bearing & Race Assy Final Drive (22 Roller).....	78-ON	1	<b>A404.BE02</b>
655H	Bearing & Race Assy Final Drive (22 Roller).....	78-95	1	<b>A404.BE02</b>
655H	Bearing & Race Assy Final Drive (19 Roller).....	96-ON	1	<b>A404.BE03</b>
NI	Bearing, Axle Stabilizer & Retainer .....	78-ON	1	<b>A404.BE04</b>
<b>ELECTRICAL COMPONENTS</b>				
NI	Neutral Safety Switch.....	78-ON	1	<b>TF8.INH01</b>
NI	Lock UP Solenoid .....	86-ON	1	<b>A404.SOL01</b>
<b>VALVE BODY PARTS</b>				
Kit	Shift Kit (Transgo) (A470).....	78-ON	1	<b>A404.SK01</b>
Kit	Shift Correction Kit (Superior) (A404-A670).....	78-ON	1	<b>A404.SK02</b>
<b>HARD PARTS</b>				
800A	Front Pump Assy-Milled Hub Gear (2 or 3 Ring Turbine) Neon .....	87-ON	1	<b>A404.PUM01</b>
801C	Drum & Shaft Assy-Rear/Fwd (3 Ring Turbine Shaft x 3 Pack)	87-ON	1	<b>A404.DRU01</b>
802B	Drum-Front Clutch/Direct (3 Pack).....	78-80	1	<b>A404.DRU02</b>
802B	Drum-Front Clutch/Direct (4 Pack).....	81-85	1	<b>A404.DRU03</b>
802B	Drum-Front Clutch/Direct (4 Pack).....	85-ON	1	<b>A404.DRU04</b>
803E	Drum-Low & Reverse.....	78-ON	1	<b>A404.DRU07</b>

ILL NO.	DESCRIPTION	YEARS	QTY	PART NO
<b>HARD PARTS CONT...</b>				
804G	Sprocket Gear Set (52T Driven x 57T Drive).....	81-ON	1	<b>A404.GE01</b>
804G	Sprocket Gear Set (56T Driven x 53T Drive).....	81-ON	1	<b>A404.GE02</b>
805H	Final Drive Housing 12 Bolt (With 22 & 19 Roller Bearings) .	95-ON	1	<b>A404.GE03</b>
806G	Governor Assy (Wide Ratio Solid Valves) .....	81-ON	1	<b>A404.GOV01</b>
807G	Governor Support (Park Lugs 14mm Wide) .....	78-87	1	<b>A404.GOV02</b>
807G	Governor Support (Park Lugs 15.87mm Wide) .....	88-ON	1	<b>A404.GOV03</b>
NI	Governor Bracket & Spring Kit (Sonnax Cures 2nd Gear Starts)78-ON	78-ON	1	<b>A404.GOV04</b>
808E	O.W.C. Spring & Roller Kit.....	78-ON	1	<b>A404.OWC01</b>
809F	Low Sprag Race Bolt in Type (Comes W/O Bearing Races) ...	81-ON	1	<b>A404.OWC02</b>
810D	Front Planetary 5 Pinion (36 Tooth Sun Gear) A670 .....	96-ON	1	<b>A404.PL01</b>
810D	Front Planetary 4 Pinion (36 Tooth Sun Gear) .....	81-95	1	<b>A404.PL02</b>
811D	Rear Planetary 4 Pinion (Square Housing).....	78-95	1	<b>A404.PL03</b>
812D	Front Planetary Ring Gear .....	82-ON	1	<b>A404.PL04</b>
813E	Rear Planetary Ring Gear (Washer Type).....	78-ON	1	<b>A404.PL05</b>
814D	Sun Gear and Shell (36T Front Gear Wide Ratio) ....	82-ON	1	<b>A404.SUN01</b>
815G	Bearing Retainer-Transfer Shaft (Without Bearing & Race) .....	78-82	1	<b>A404.RET01</b>
816G	Transfer Shaft & Ring Gear (61Tx20T Replaces 55Tx18T) ..	78-ON	1	<b>A404.SH01</b>
816G	Transfer Shaft & Ring Gear (60T x 21T) A670 .....	86-ON	1	<b>A404.SH02</b>
817D	Output Shaft (165.10mm Long)	82-ON	1	<b>A404.SH03</b>
818E	Rear Band Strut (55.88mm Long) Heavy Duty ....	81-ON	1	<b>A404.STR01</b>
819H	Extension Housing .....	78-ON	1	<b>A404.CAS01</b>
820A	Pump Rotor Set (14.935mm)....	78-ON	1	<b>A404.PUM02</b>
<b>SPECIAL ITEMS</b>				
NI	ATSG Rebuild Manual (A404, A413, A470 & A670) .....	78-ON	AR	<b>A404.MAN01</b>
900H	Shim Kit-Final Drive Preload (10 Shims at .127mm).....	78-ON	1	<b>A404.SHIMKIT03</b>
NI	Shim Kit-Output Shaft End Play (5 Shims at .127mm x 31.75mm OD) .....	78-ON	1	<b>A404.SHIMKIT01</b>
NI	Shim Kit-Transfer Shaft End Play (5 Shims at .127mm x 35mm OD) .....	78-ON	1	<b>A404.SHIMKIT02</b>
NI	Governor Bracket & Spring Kit (Sonnax Cures 2nd Gear Starts)78-ON	78-ON	1	<b>A404.GOV04</b>
<a href="#">Click here to view special tools for this transmission</a>				